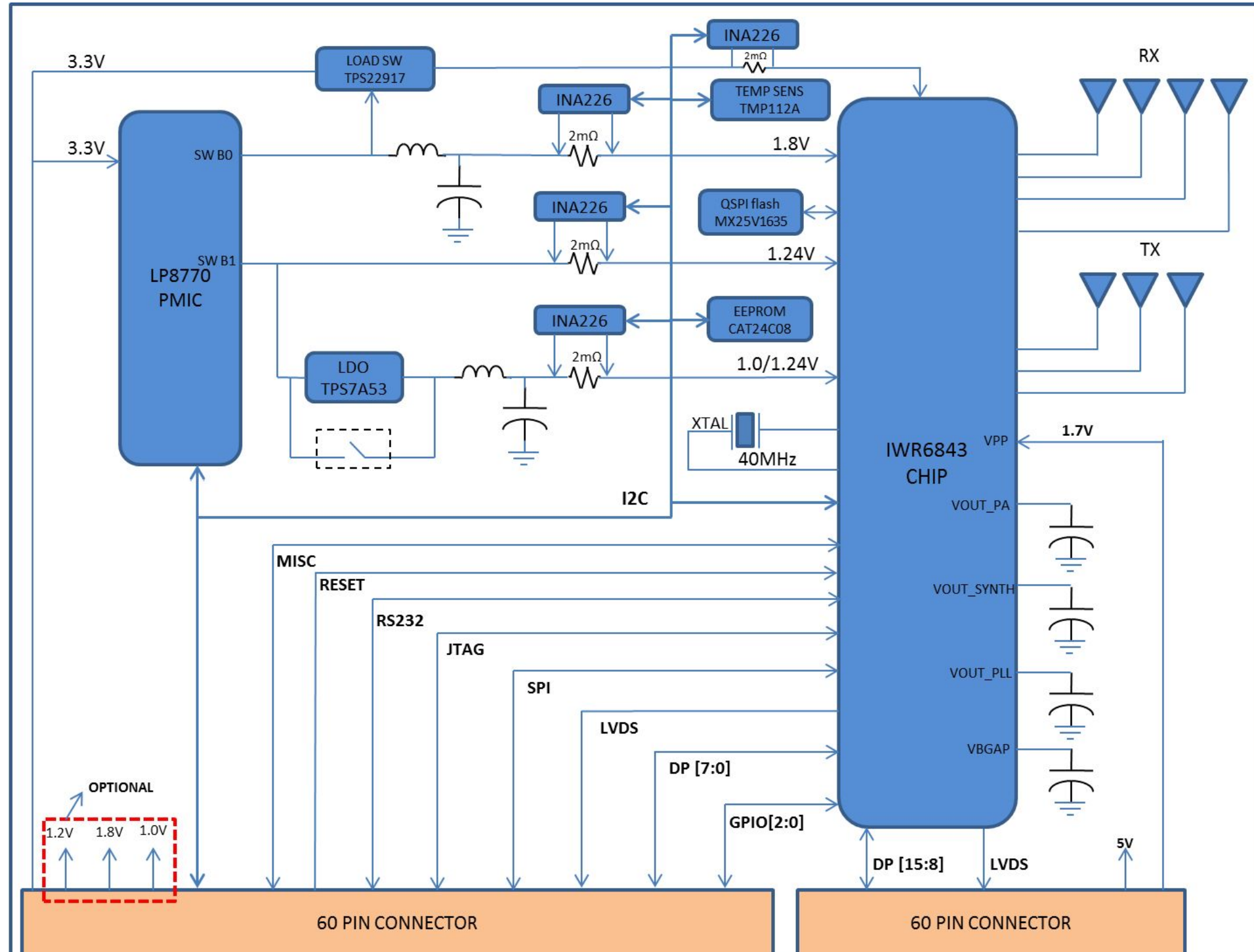


Revision History				
Rev	ECN #	Approved Date	Approved by	Notes
N/A	N/A	N/A	N/A	N/A

BLOCK DIAGRAM



S.No	DESCRIPTION	I2C ADDRESS
1	CURRENT SENSOR 3.3V	100 0100
2	CURRENT SENSOR 1.8V	100 0000
3	CURRENT SENSOR 1.2V	100 0001
4	CURRENT SENSOR 1.0V	100 0101
5	TEMPERATURE SENSOR1	100 1011
6	LP8770 PMIC	110 0000
7	EEPROM	1010 0XX

Texas Instruments and/or its licensors do not warrant the accuracy or completeness of this specification or any information contained therein. Texas Instruments and/or its licensors do not warrant that this design will meet the specifications, will be suitable for your application or fit for any particular purpose, or will operate in an implementation. Texas Instruments and/or its licensors do not warrant that the design is production worthy. You should completely validate and test your design implementation to confirm the system functionality for your application.

Orderable: IWR6843ISK	Designed for: Public Release	Mod. Date: 10/12/2018
TID #: N/A	Project Title: IWR6843ISK(Industrial Starter Kit)	
Number: PROC073	Rev: A	Sheet Title:
SVN Rev: Version control disabled	Assembly Variant: 001	Sheet: 1 of 9
Drawn By:	File: PROC073A_Block_Diagram.SchDoc	Size: B
Engineer: Chethan Kumar Y.B	Contact: http://www.ti.com/support	



© Texas Instruments 2018

TABLE OF CONTENTS

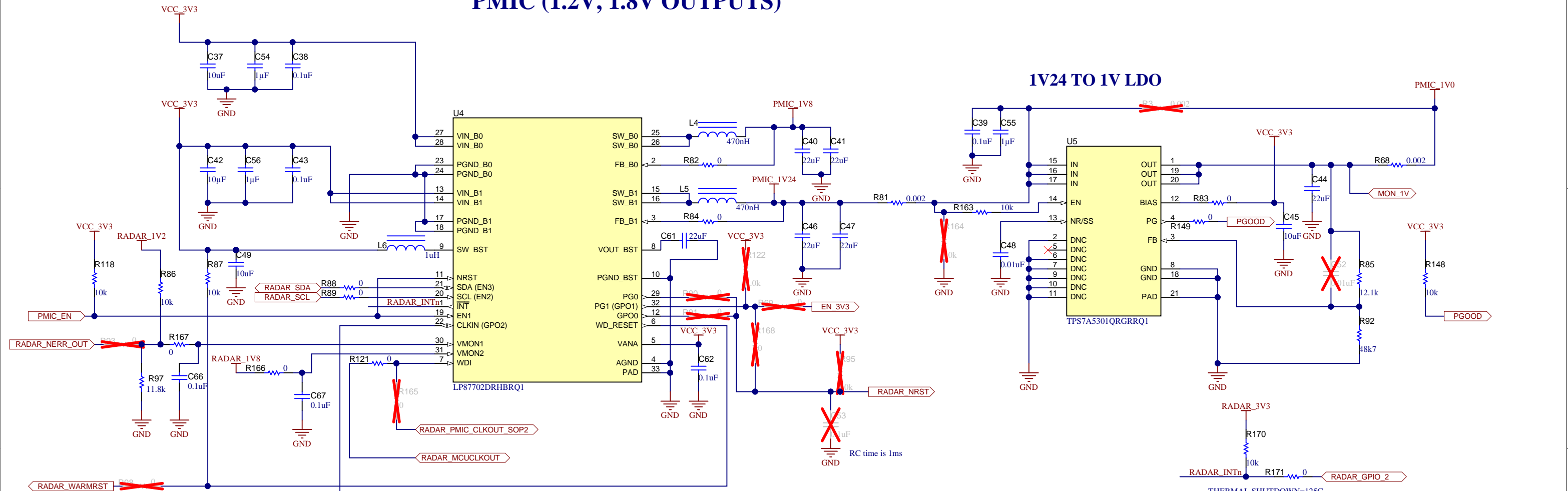
SHEET NO.	SHEET NAME
1	Block diagram
2	Table of Contents
3	PMIC
4	IWR6843 Chip
5	Decoupling caps_LC_Filters
6	QSPI Flash
7	60Pin HD Connector
8	Temp_Current_Sensor
9	Hardware

Texas Instruments and/or its licensors do not warrant the accuracy or completeness of this specification or any information contained therein. Texas Instruments and/or its licensors do not warrant that this design will meet the specifications, will be suitable for your application or fit for any particular purpose, or will operate in an implementation. Texas Instruments and/or its licensors do not warrant that the design is production worthy. You should completely validate and test your design implementation to confirm the system functionality for your application.

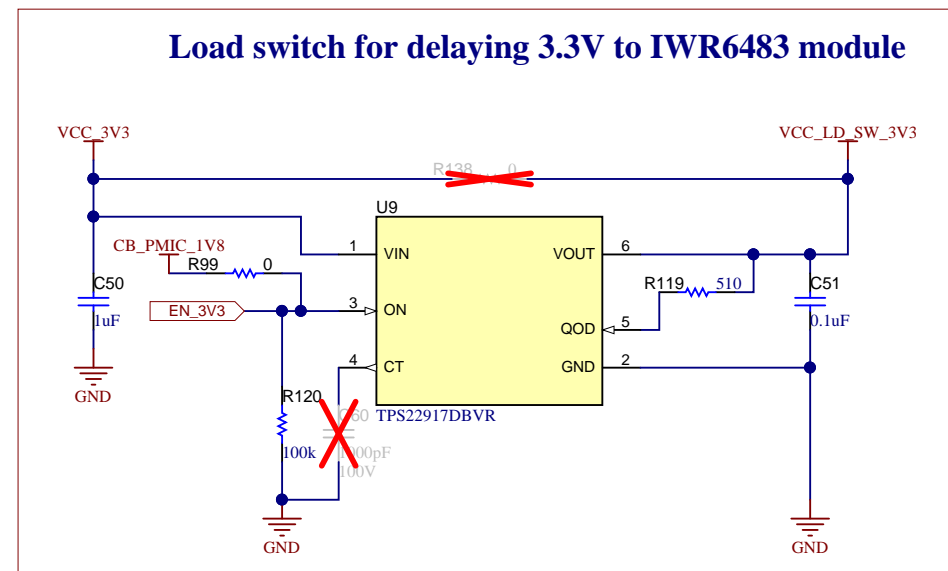
Orderable: IWR6843ISK	Designed for: Public Release	Mod. Date: 10/12/2018
TID #: N/A	Project Title: IWR6843ISK(Industrial Starter Kit)	
Number: PROC073	Rev: A	Sheet Title:
SVN Rev: Version control disabled	Assembly Variant: 001	Sheet: 2 of 9
Drawn By:	File: PROC073A_Table_Of_Contents.SchDoc	Size: B
Engineer: Chethan Kumar Y.B	Contact: http://www.ti.com/support	 TEXAS INSTRUMENTS http://www.ti.com © Texas Instruments 2018

PMIC (1.2V, 1.8V OUTPUTS)

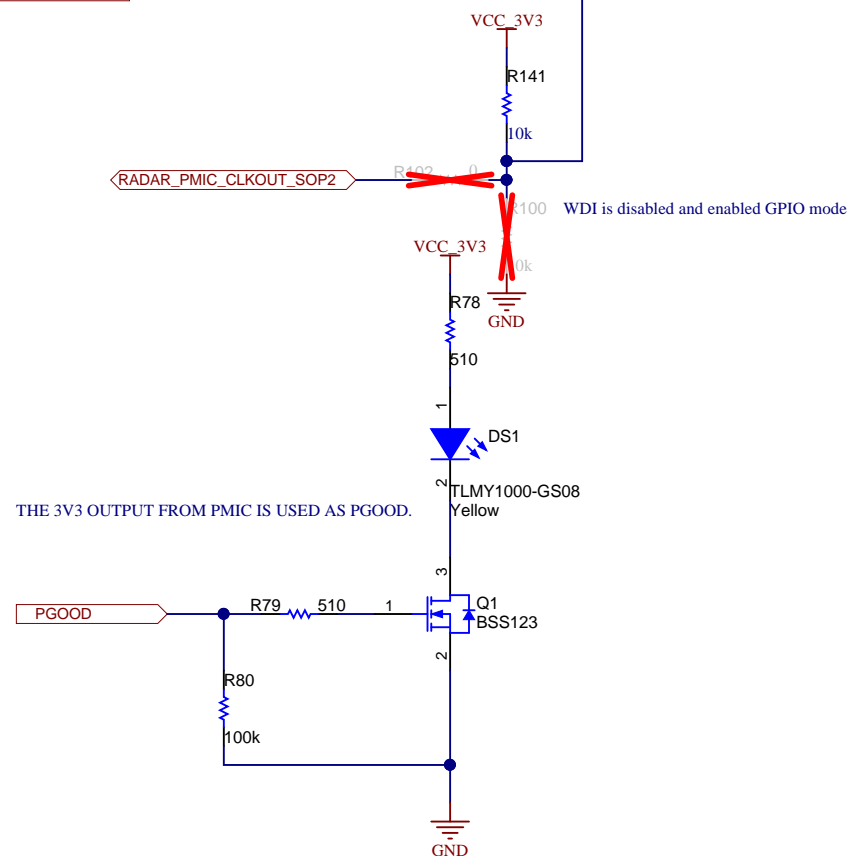
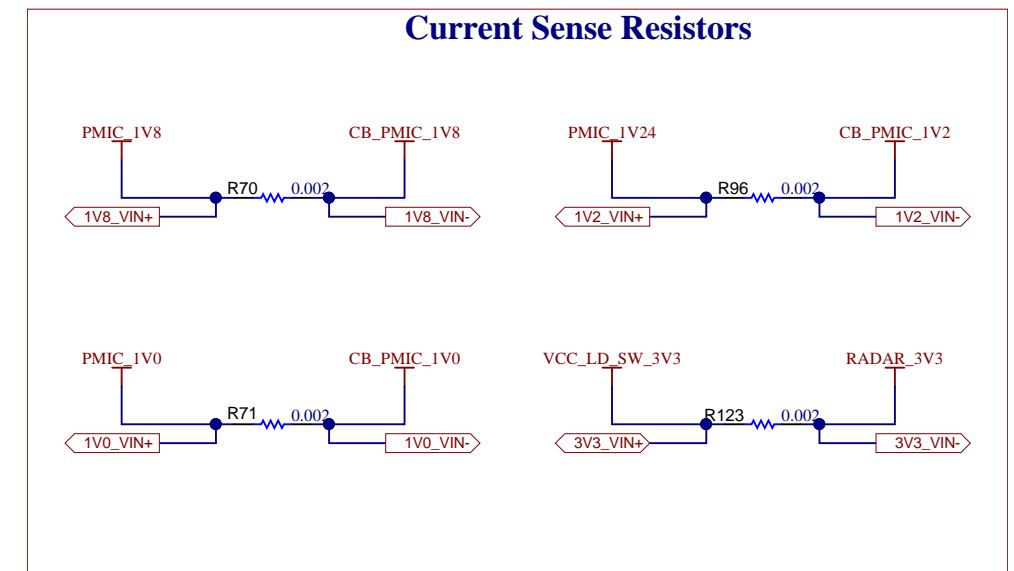
1V24 TO 1V LDO



Load switch for delaying 3.3V to IWR6483 module



Current Sense Resistors

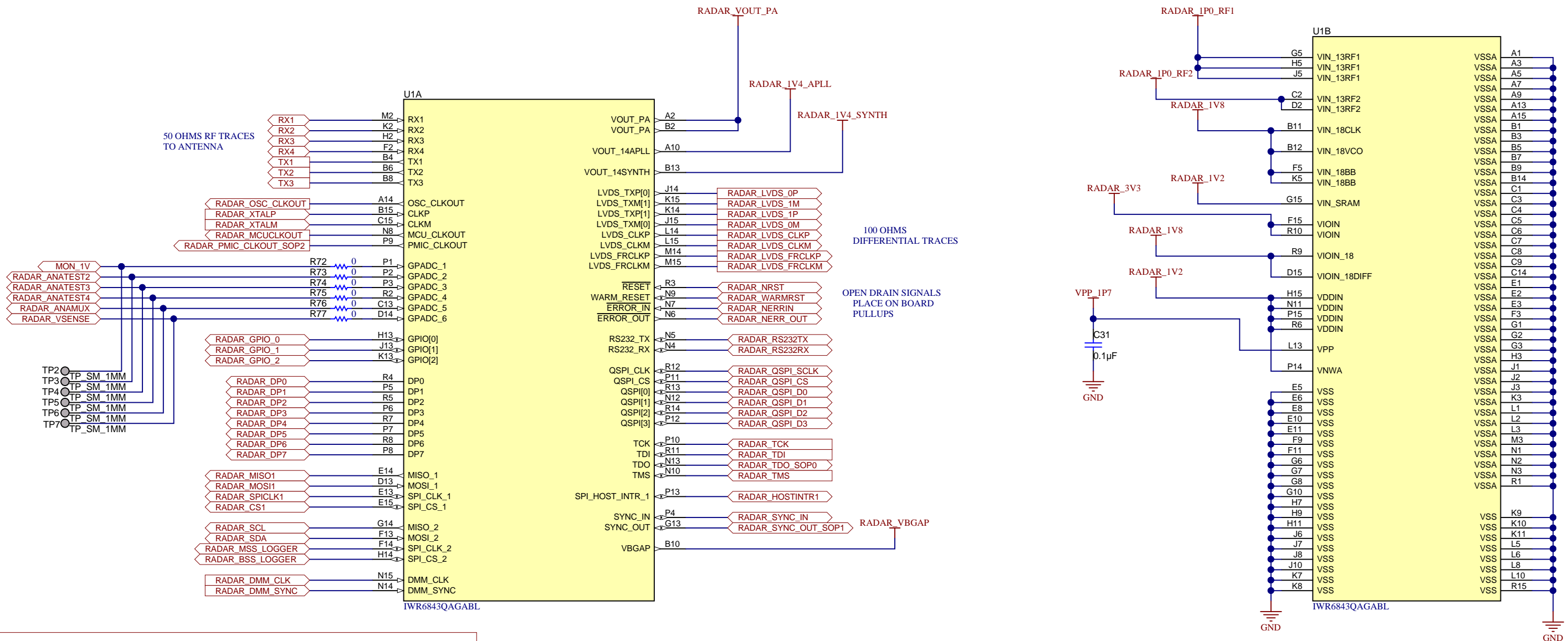


Texas Instruments and/or its licensors do not warrant the accuracy or completeness of this specification or any information contained therein. Texas Instruments and/or its licensors do not warrant that this design will meet the specifications, will be suitable for your application or fit for any particular purpose, or will operate in an implementation. Texas Instruments and/or its licensors do not warrant that the design is production worthy. You should completely validate and test your design implementation to confirm the system functionality for your application.

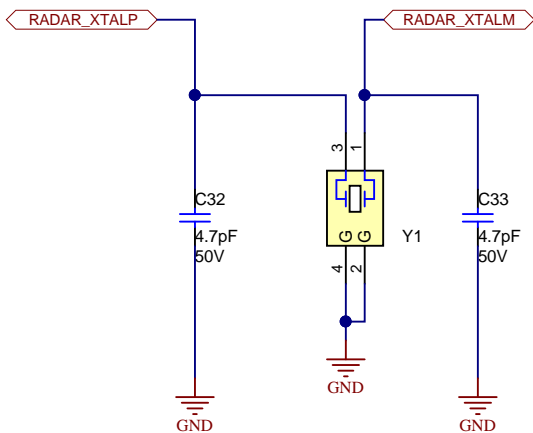
Orderable: IWR6843ISK	Designed for: Public Release	Mod. Date: 10/12/2018
TID #: N/A	Project Title: IWR6843ISK(Industrial Starter Kit)	
Number: PROC073	Rev: A	Sheet Title:
SVN Rev: Version control disabled	Assembly Variant: 001	Sheet: 3 of 9
Drawn By:	File: PROC073A_PMIC.SchDoc	Size: B
Engineer: Chethan Kumar Y.B	Contact: http://www.ti.com/support	



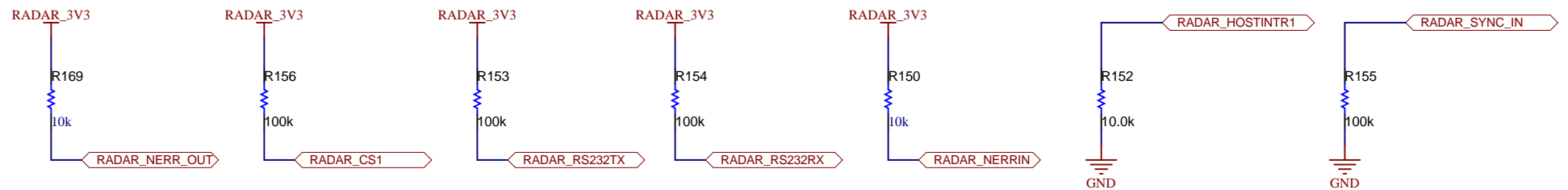
IWR6843 Chip



Crystal Oscillator 40MHz



PULL UPS/DOWNS FOR SPI CS1, NERRIN, RS232, SYNC_IN & HOST_INTn

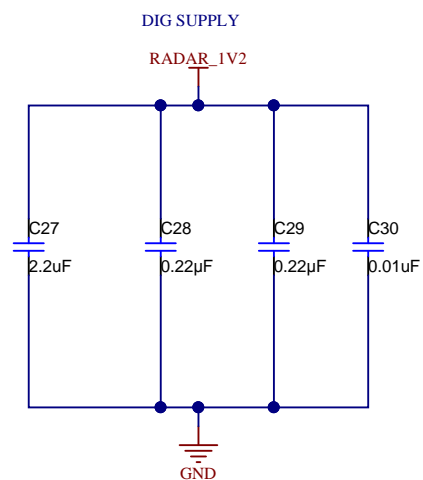
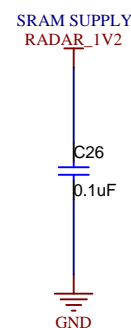
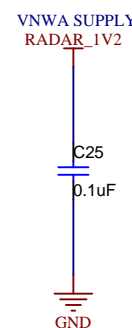
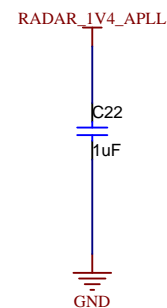
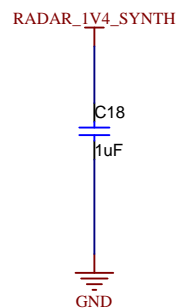
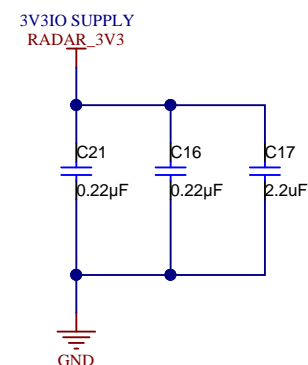
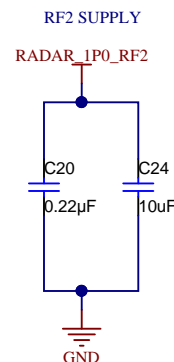
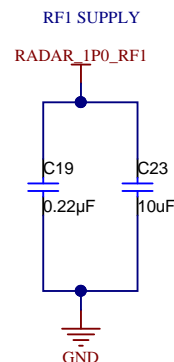
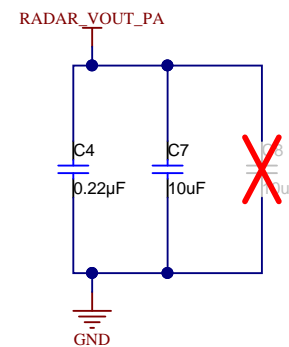
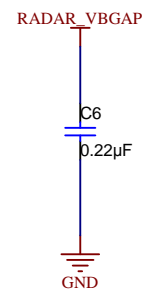
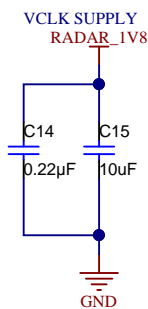
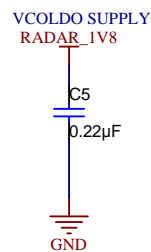
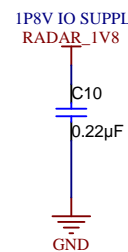
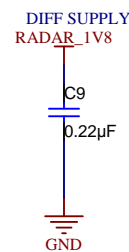
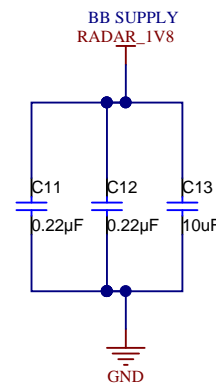


Texas Instruments and/or its licensors do not warrant the accuracy or completeness of this specification or any information contained therein. Texas Instruments and/or its licensors do not warrant that this design will meet the specifications, will be suitable for your application or fit for any particular purpose, or will operate in an implementation. Texas Instruments and/or its licensors do not warrant that the design is production worthy. You should completely validate and test your design implementation to confirm the system functionality for your application.

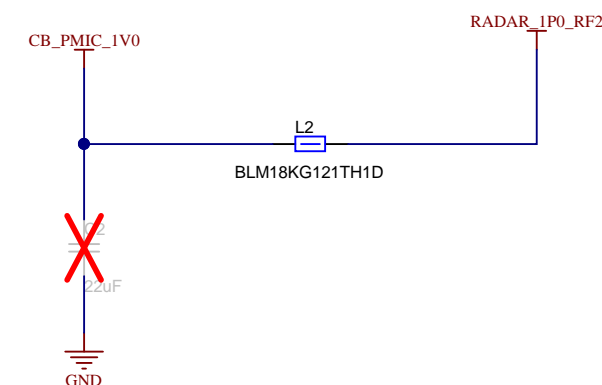
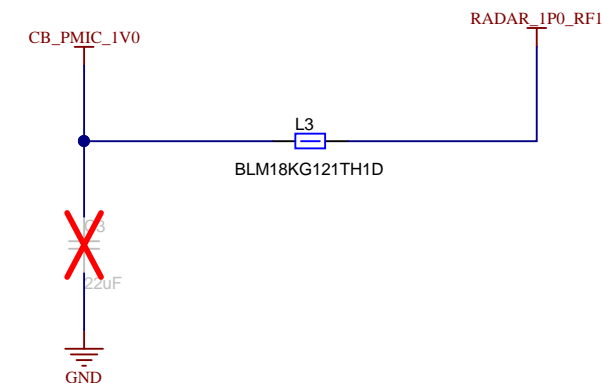
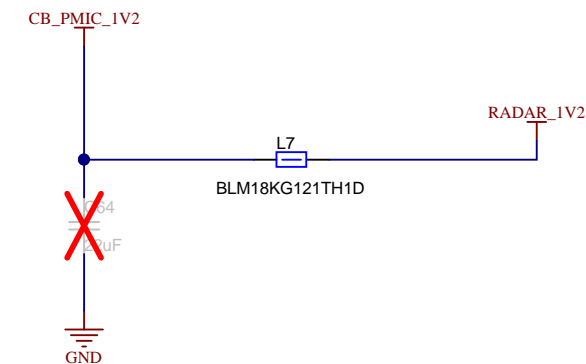
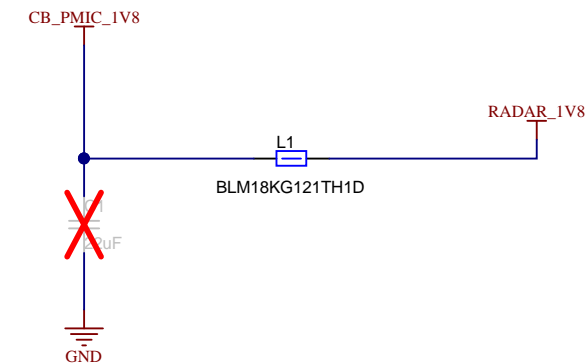
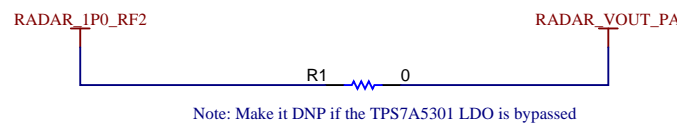
Orderable: IWR6843ISK	Designed for: Public Release	Mod. Date: 10/12/2018
TID #: N/A	Project Title: IWR6843ISK(Industrial Starter Kit)	
Number: PROC073	Rev: A	Sheet Title:
SVN Rev: Version control disabled	Assembly Variant: 001	Sheet: 4 of 9
Drawn By:	File: PROC073A_IWR6843_Chip_SchDoc	Size: B
Engineer: Chethan Kumar Y.B	Contact: http://www.ti.com/support	

SUPPLY_DECOUPLING_CAPS

PMIC LC Filters



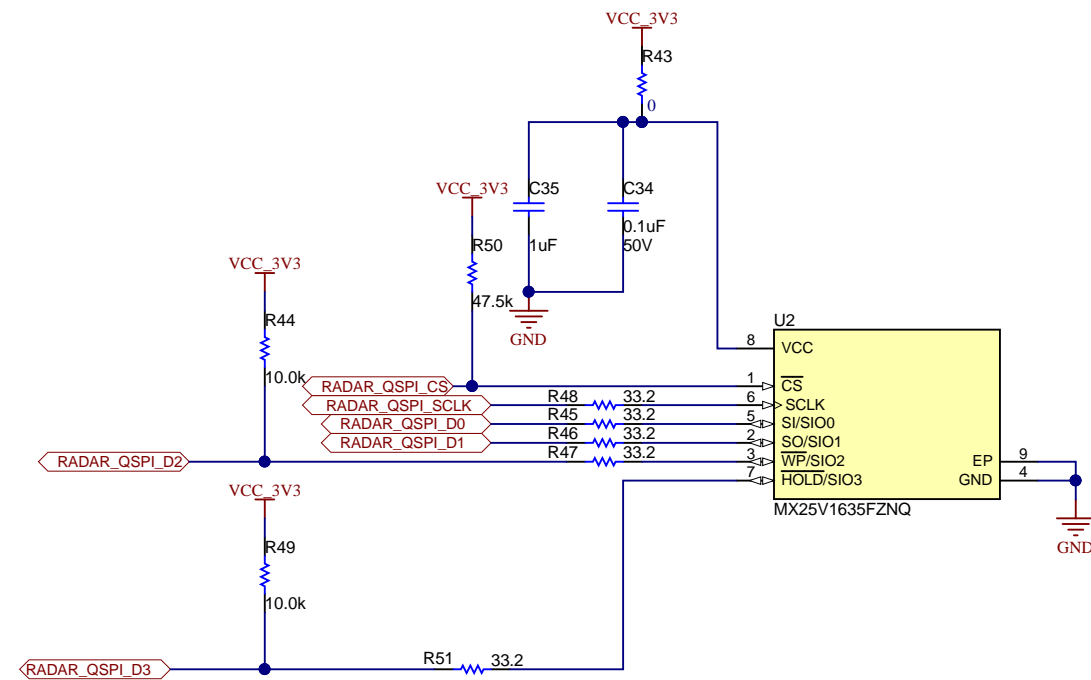
OPTIONS FOR INTERNAL DEBUG ONLY



Texas Instruments and/or its licensors do not warrant the accuracy or completeness of this specification or any information contained therein. Texas Instruments and/or its licensors do not warrant that this design will meet the specifications, will be suitable for your application or fit for any particular purpose, or will operate in an implementation. Texas Instruments and/or its licensors do not warrant that the design is production worthy. You should completely validate and test your design implementation to confirm the system functionality for your application.

Orderable: IWR6843ISK	Designed for: Public Release	Mod. Date: 10/12/2018
TID #: N/A	Project Title: IWR6843ISK(Industrial Starter Kit)	
Number: PROC073	Rev: A	Sheet Title:
SVN Rev: Version control disabled	Assembly Variant: 001	Sheet: 5 of 9
Drawn By:	File: PROC073A_Decoupling_caps.SchDoc	Size: B
Engineer: Chethan Kumar Y.B	Contact: http://www.ti.com/support	

QSPI FLASH



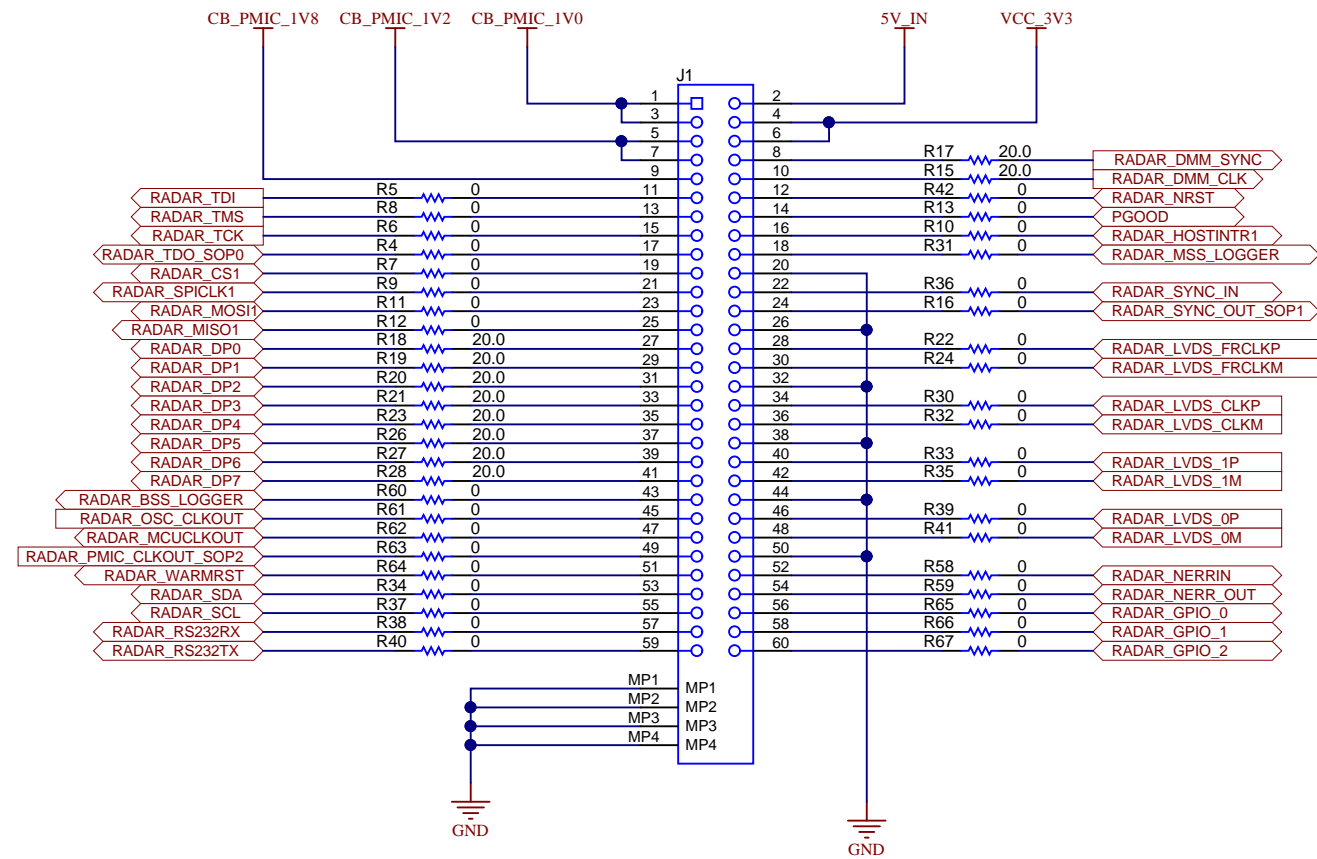
Texas Instruments and/or its licensors do not warrant the accuracy or completeness of this specification or any information contained therein. Texas Instruments and/or its licensors do not warrant that this design will meet the specifications, will be suitable for your application or fit for any particular purpose, or will operate in an implementation. Texas Instruments and/or its licensors do not warrant that the design is production worthy. You should completely validate and test your design implementation to confirm the system functionality for your application.

Orderable: IWR6843ISK	Designed for: Public Release	Mod. Date: 10/12/2018
TID #: N/A	Project Title: IWR6843ISK(Industrial Starter Kit)	
Number: PROC073	Rev: A	Sheet: 6 of 9
SVN Rev: Version control disabled	Assembly Variant: 001	Size: B
Drawn By:	File: PROC073A_QSPI_Flash_section.SchDoc	Contact: http://www.ti.com/support
Engineer: Chethan Kumar Y.B	© Texas Instruments 2018	

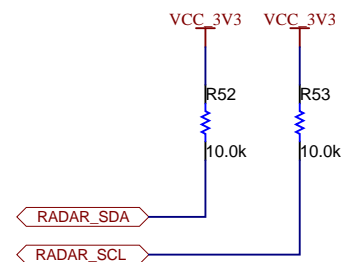
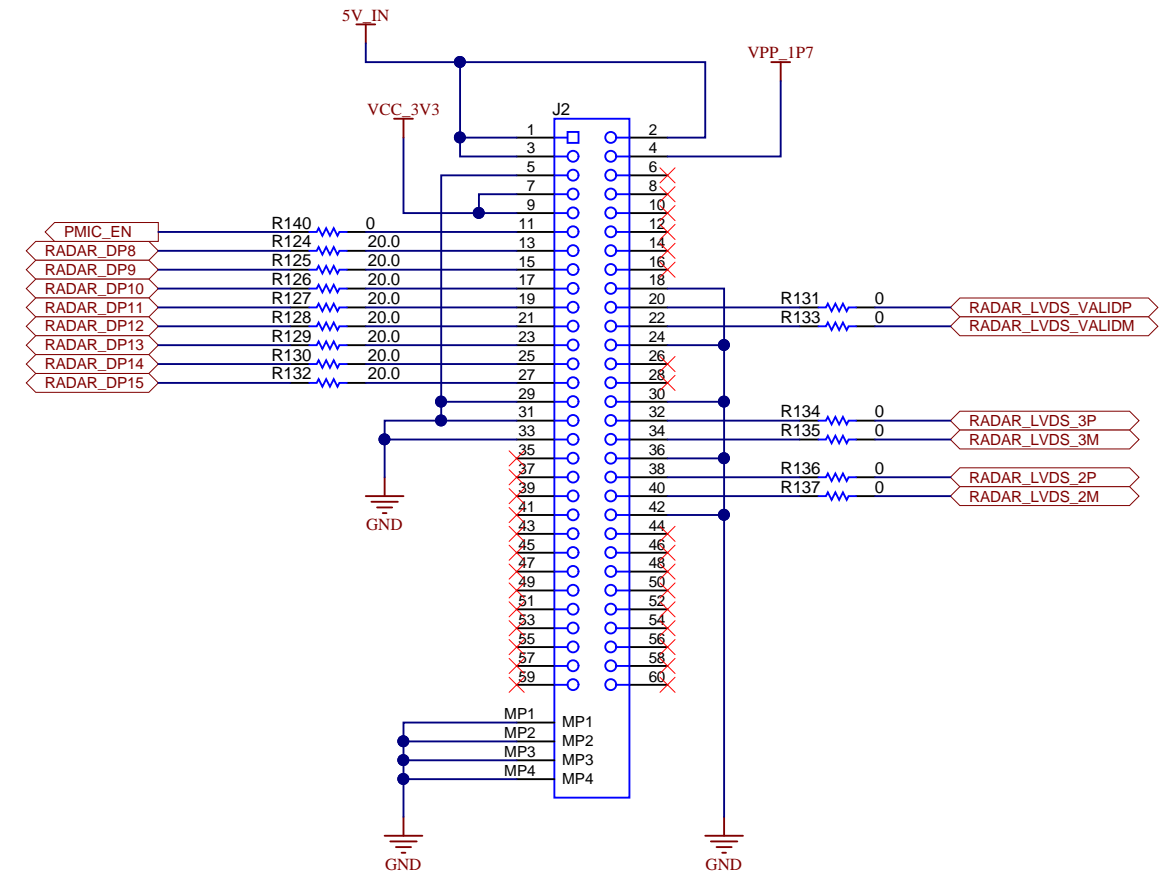


CONNECTORS

60 PIN HD CONNECTOR



60 PIN HD CONNECTOR FOR xWRxxxx DEVICES COMPATABILITY

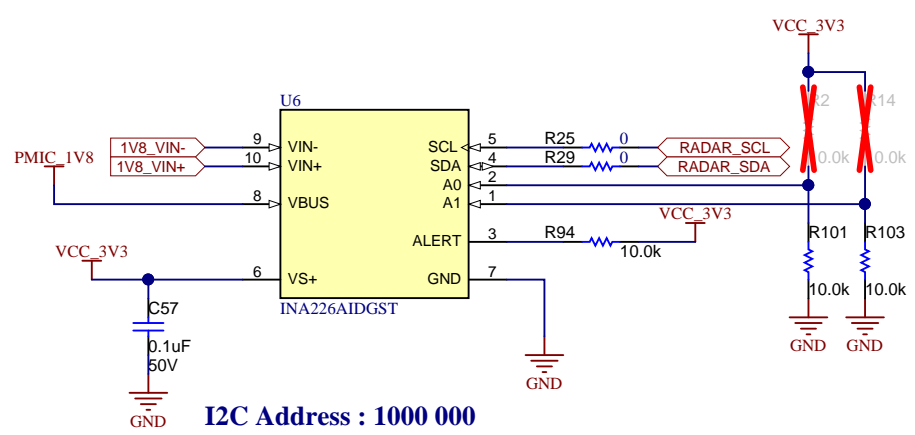


Orderable: IWR6843ISK	Designed for: Public Release	Mod. Date: 10/12/2018
TID #: N/A	Project Title: IWR6843ISK(Industrial Starter Kit)	
Number: PROC073	Rev: A	Sheet Title:
SVN Rev: Version control disabled	Assembly Variant: 001	Sheet: 7 of 9
Drawn By:	File: PROC073A_HD_Connector_60Pin.SchDoc	Size: B
Engineer: Chethan Kumar Y.B	Contact: http://www.ti.com/support	

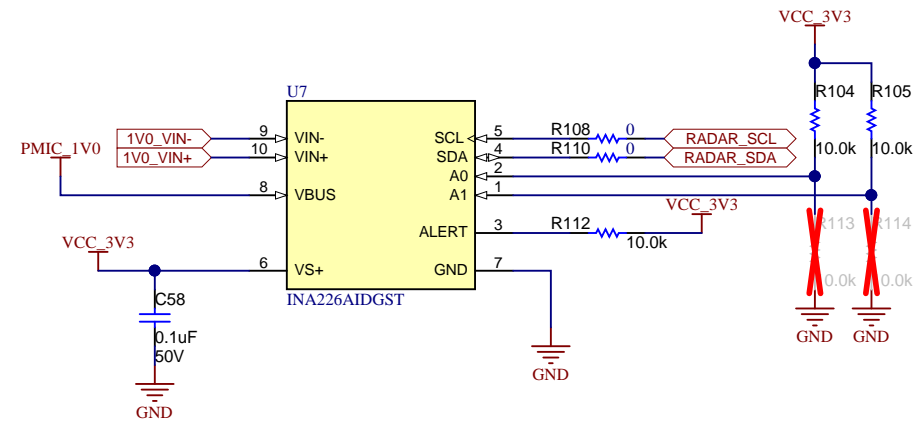
Texas Instruments and/or its licensors do not warrant the accuracy or completeness of this specification or any information contained therein. Texas Instruments and/or its licensors do not warrant that this design will meet the specifications, will be suitable for your application or fit for any particular purpose, or will operate in an implementation. Texas Instruments and/or its licensors do not warrant that the design is production worthy. You should completely validate and test your design implementation to confirm the system functionality for your application.



CURRENT SENSOR

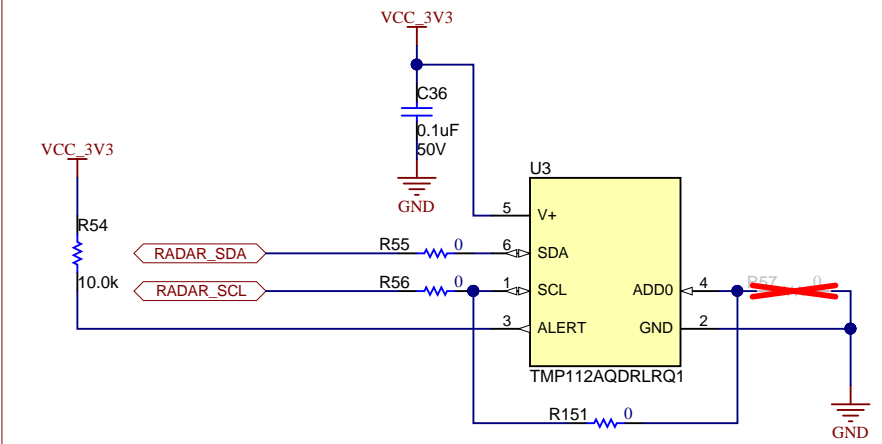


I2C Address : 1000 000

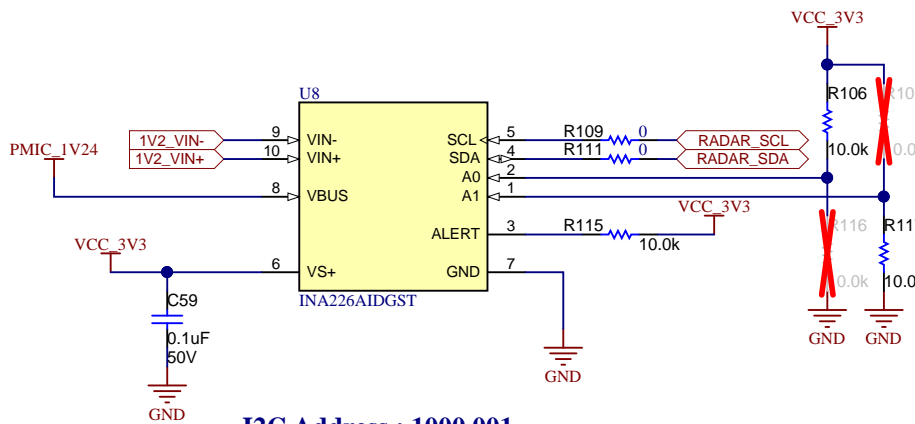


I2C Address : 1000 101

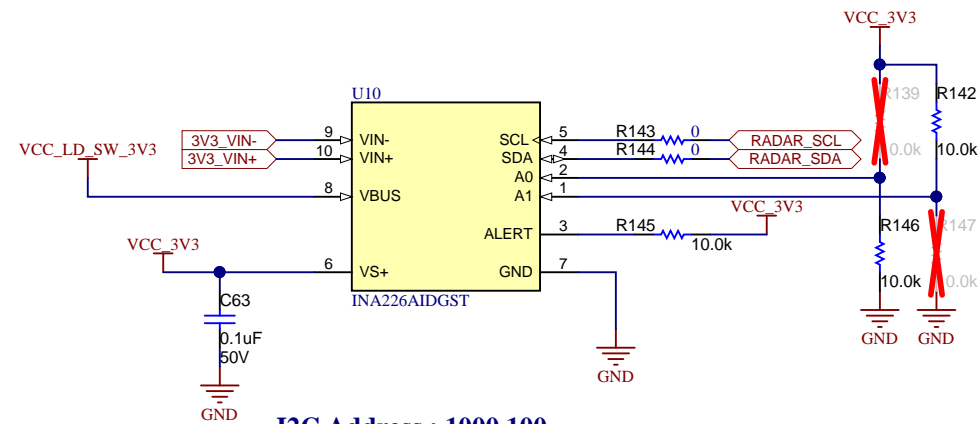
TEMPERATURE SENSOR



I2C Address : 1001 011

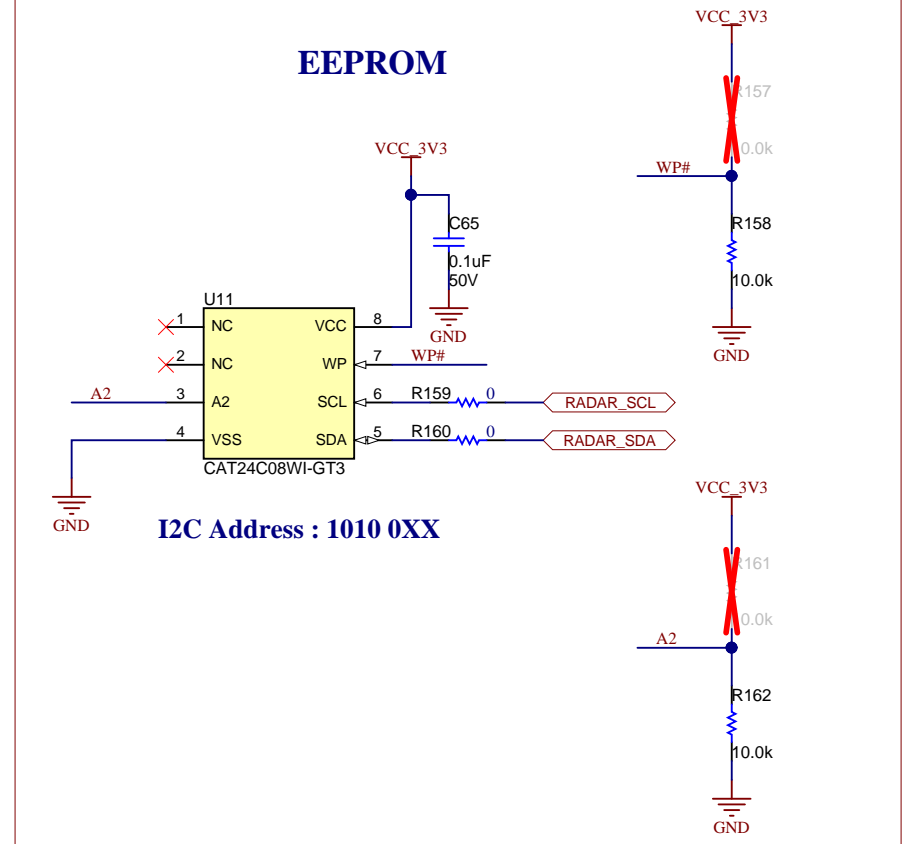


I2C Address : 1000 001



I2C Address : 1000 100

EEPROM



I2C Address : 1010 0XX

Texas Instruments and/or its licensors do not warrant the accuracy or completeness of this specification or any information contained therein. Texas Instruments and/or its licensors do not warrant that this design will meet the specifications, will be suitable for your application or fit for any particular purpose, or will operate in an implementation. Texas Instruments and/or its licensors do not warrant that the design is production worthy. You should completely validate and test your design implementation to confirm the system functionality for your application.



PCB Number: PROC073
PCB Rev: A

PCB LOGO
Texas Instruments



PCB LOGO
FCC disclaimer

PCB LOGO
WEEE logo

PCB LOGO
Texas Instruments

Variant/Label Table	
Variant	Label Text
001	IWR6843ISK

LBL1

PCB Label
THT-14-423-10
Size: 0.65" x 0.20 "

ZZ1

Label Assembly Note
This Assembly Note is for PCB labels only

ZZ2

Assembly Note
These assemblies are ESD sensitive, ESD precautions shall be observed.

ZZ3

Assembly Note
These assemblies must be clean and free from flux and all contaminants. Use of no clean flux is not acceptable.

ZZ4

Assembly Note
These assemblies must comply with workmanship standards IPC-A-610 Class 2, unless otherwise specified.

HW Assembly Instructions

1. Mount the optional nuts, screws and washers to mate with MMWAVEICBOOST

IMPORTANT NOTICE AND DISCLAIMER

TI PROVIDES TECHNICAL AND RELIABILITY DATA (INCLUDING DATASHEETS), DESIGN RESOURCES (INCLUDING REFERENCE DESIGNS), APPLICATION OR OTHER DESIGN ADVICE, WEB TOOLS, SAFETY INFORMATION, AND OTHER RESOURCES "AS IS" AND WITH ALL FAULTS, AND DISCLAIMS ALL WARRANTIES, EXPRESS AND IMPLIED, INCLUDING WITHOUT LIMITATION ANY IMPLIED WARRANTIES OF MERCHANTABILITY, FITNESS FOR A PARTICULAR PURPOSE OR NON-INFRINGEMENT OF THIRD PARTY INTELLECTUAL PROPERTY RIGHTS.

These resources are intended for skilled developers designing with TI products. You are solely responsible for (1) selecting the appropriate TI products for your application, (2) designing, validating and testing your application, and (3) ensuring your application meets applicable standards, and any other safety, security, or other requirements. These resources are subject to change without notice. TI grants you permission to use these resources only for development of an application that uses the TI products described in the resource. Other reproduction and display of these resources is prohibited. No license is granted to any other TI intellectual property right or to any third party intellectual property right. TI disclaims responsibility for, and you will fully indemnify TI and its representatives against, any claims, damages, costs, losses, and liabilities arising out of your use of these resources.

TI's products are provided subject to TI's Terms of Sale (www.ti.com/legal/termsofsale.html) or other applicable terms available either on ti.com or provided in conjunction with such TI products. TI's provision of these resources does not expand or otherwise alter TI's applicable warranties or warranty disclaimers for TI products.

Mailing Address: Texas Instruments, Post Office Box 655303, Dallas, Texas 75265
Copyright © 2018, Texas Instruments Incorporated