

TI 参考设计 适用于热量分配表的匹配高精度温度传感

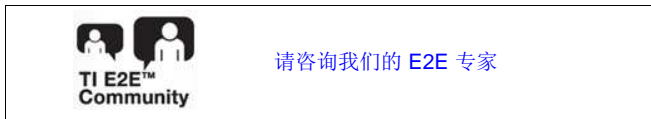


设计概述

此参考设计展示了热量分配表和其他物联网 (IoT) 应用所需的高精度温度传感技术。热量分配表使用房间与加热装置之间的温度差异在多个用户之间分配中央加热系统总成本的份额。该解决方案可在 20°C 至 85°C 的范围间实现优于 0.5°C 的精度。该设计中所使用的高精度 CMOS 模拟传感器可作为匹配的传感器对，用以消除制造过程中通常所需的校准，从而降低 OEM 系统成本。该设计符合 EN834 标准（使用“双传感器测量方法”）。

设计资源

TIDA-00646	包含设计文件的工具文件夹
LMT70A	产品文件夹
CC1310	产品文件夹

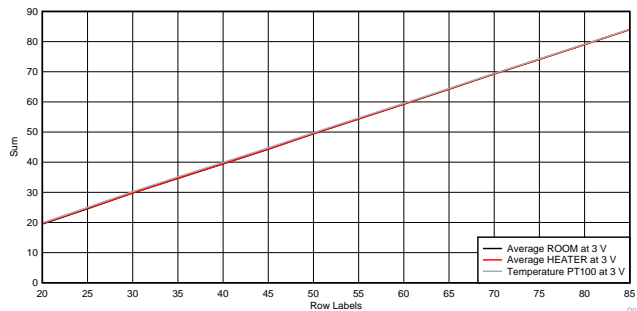
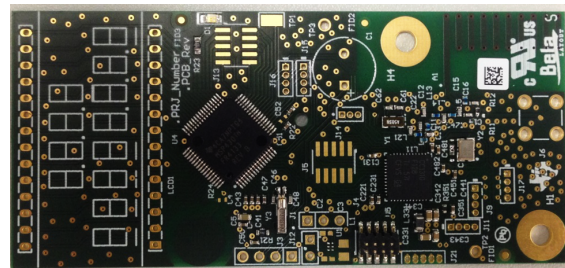
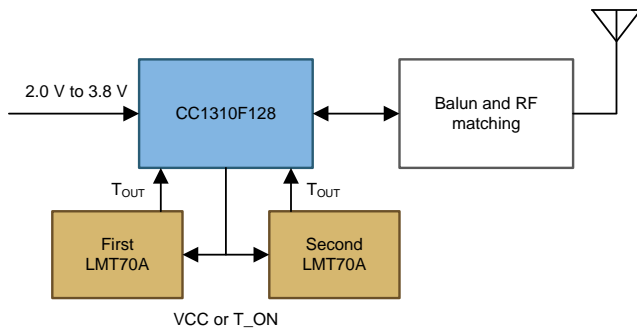


设计特性

- 在广泛的环境条件下实现高精度温度传感：+20 至 +85°C 条件下精度优于 0.5°C
- 卷带封装中两个相邻 LMT70A 传感器相互匹配，从而节省测试和制造成本
- CC1310 SimpleLink™ 平台无线 MCU 可提供适用于热测量和射频通信的单芯片解决方案
- 低至 2.0V 的低功耗运行可延长电池寿命
- 有功计量的电流消耗仅为 2.56μA（每 4s 一次）
- 具有 HCA 外形的成本优化双层 PCB 布局

特色应用

- 支持 w-MBus 射频协议（频率为 868MHz 时，发送输出功率高达 15dBm（符合 EN834 标准））的热量分配表
- 任意无线应用中具有匹配 CMOS 传感器的高精度温度传感
- 具有高精度温度传感的物联网和可穿戴应用



该 TI 参考设计末尾的重要声明表述了授权使用、知识产权问题和其他重要的免责声明和信息。

1 Key System Specifications

The CC1310 wireless microcontroller (MCU) operates from 1.8 V to 3.8 V and allows a 3.9-V absolute maximum value.

The LMT70A sensor operates from 2.0 V to 5.5 V and offers temperature matching using CMOS sensors with a 0.1°C maximum at 30°C. The device requires a minimum of 2.1 V for temperatures as low as 0°C; however, 2.0 V is sufficient for 20°C.

Because the heat cost allocators usually start registering at temperatures of 20°C or above, the common supply voltage for this design is from 2.0 V to 3.8 V.

The common operating ambient temperature for a CC1310 and LMT70A is $T_A = -40^\circ\text{C}$ to 85°C because of parameters relating to the CC1310; however, the LMT70A has a much wider operating range of -55°C to 150°C .

2 Design Features

Many EU countries now use heat cost allocators (HCAs), which are devices used to accurately bill for heat consumption in houses and apartments. HCAs are a high volume and very cost-sensitive application.

This TIDA-00646 design proposes a subsystem for precise and low-cost temperature measurement suitable for HCAs that meet EN834 requirements. The use of two LMT70A matched temperature sensors eliminates the requirement for calibration at one or two different ambient temperatures, which can be expensive.

This reference design comprises:

- Two LMT70A temperature sensors (matched in production to 0.1°C (maximum) at 30°C)
- Wireless system-on-chip (SoC) for a wM-Bus at 868 MHz, which achieves an ETSI category 2 receiver compliance

The CC1310 device directly connects to two LMT70A sensors. Firmware that operates inside the ultralow power sensor controller of the CC1310 controls the LMT70A sensors.

The analog output signal of each LMT70A distributes into a separate CC1310 I/O pin, which is an input to the 12-bit successive approximation register (SAR) ADC converter inside the sensor controller. The CC1310 periodically powers on and enables the LMT70A sensors, after which the ADC12 converter reads the analog input voltage as a digital value. This value is then converted into a temperature value using one of the three possible calculation methods, which are represented by a linear, second-order, or third-order transfer function.

The code example for CC1310 uses the second-order transfer function (or formula) because it is valid for the full temperature range of 20°C to 85°C and beyond.

2.1 LMT70A—Efficient Synchronous Boost Converter

The LMT70A is an ultra-small, high-precision, low-power CMOS analog temperature sensor with an output enable pin (see [图 1](#)). Applications for the LMT70A include virtually any type of temperature sensing where cost effectiveness, high precision, and low power are required, such as Internet of Things (IoT) sensor nodes, medical thermometers, high-precision instrumentation, and battery-powered devices. The LMT70A is also a great replacement for resistance-temperature detectors (RTDs) and precision NTC or PTC thermistors.

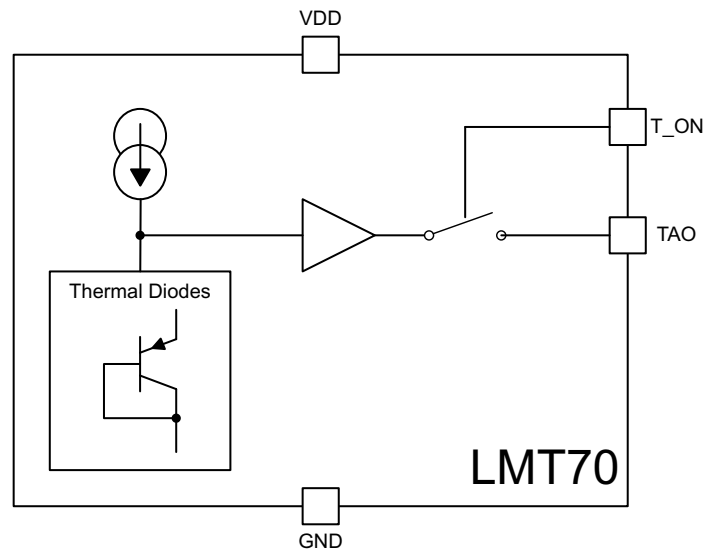


图 1. LMT70A Block Diagram

The matching of two LMT70A sensors up to 0.1°C at 30°C is an excellent feature that allows a user to avoid significant effort in temperature calibration and save on the costs during manufacturing.

2.2 CC1310—Wireless MCU for Sub-1-GHz RF Systems

The Cortex-M3 core is the main CPU inside the CC1310 wireless MCU and the sensor controller peripheral of the CC1310 controls the temperature sensing behind the two LMT70A sensors. 图 2 shows the CC1310 functional block diagram.

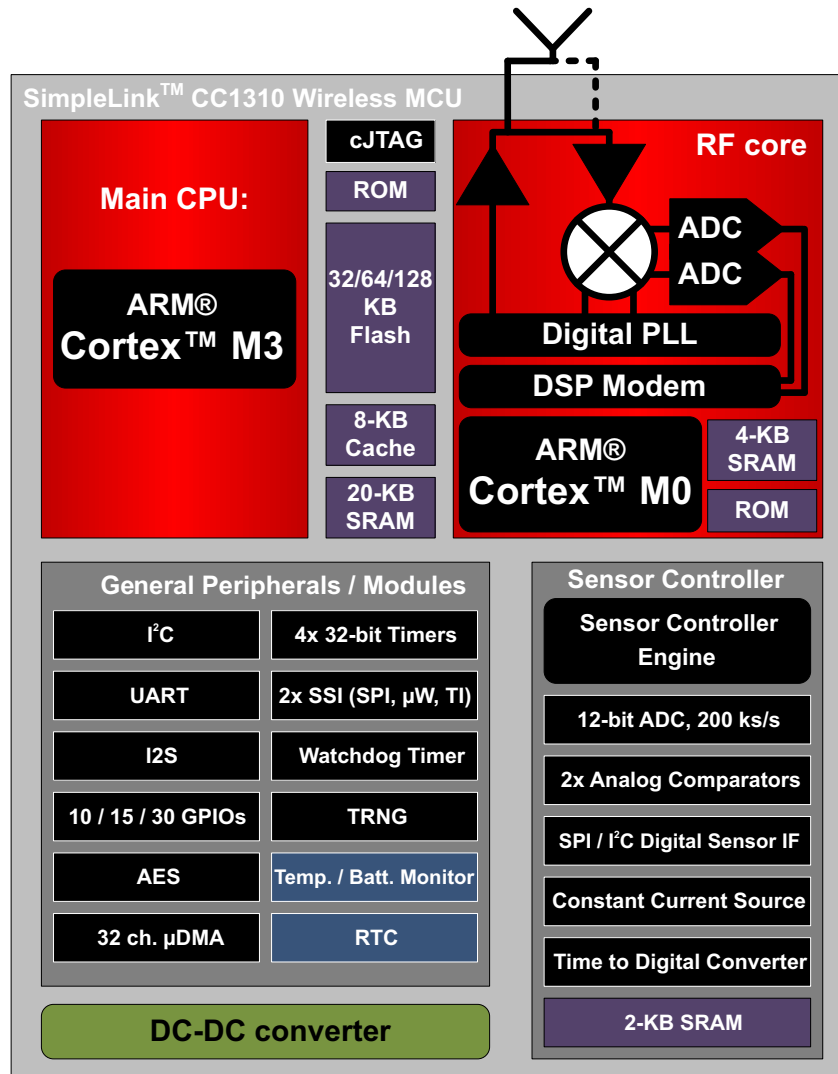


图 2. CC1310 Functional Block Diagram

The ARM® Cortex®-M3 runs with up to 48 MHz. The CC1310 device also features 128KB of in-system programmable flash, 8KB of SRAM for cache (or as general-purpose RAM), and 20KB of ultralow leakage SRAM. The ultralow power sensor controller can run autonomously from the rest of the system at 24 MHz and uses only 0.4 mA and 8.2 $\mu\text{A}/\text{MHz}$.

The sensor controller has a 16-bit architecture, which if activated, runs every second to perform a single 12-bit ADC sampling that only consumes 0.85 μA . The sensor controller has a dedicated 2KB of ultralow leakage SRAM for code and data. The CC1310 standby current is 0.6 μA (with RTC running, RAM retention, and Data CPU retention).

Using the sensor controller to seamlessly interface to and read the LMT70A analog output is an innovative approach that delivers excellent, low-power consumption and measurement precision, which makes the controller suitable for heat cost allocators.

The CC1310 device features two calibration values at room temperature (device dependant) for the ADC12, which are for gain and offset respectively.

3 Block Diagram

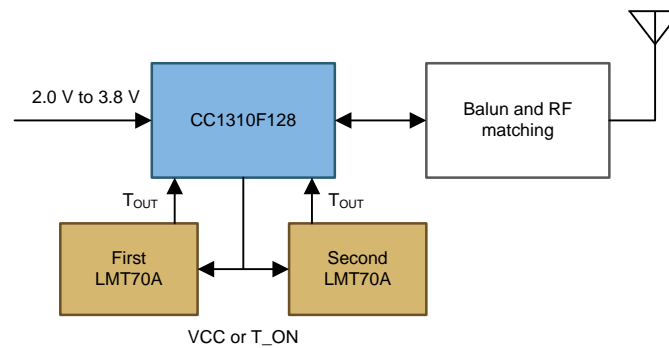


图 3. TIDA-00646 Block Diagram

3.1 Highlighted Products

The TIDA-00646 design comprises these main components: The two matched LMT70A temperature sensors and the CC1310 wireless MCU device.

For more information on each of these devices, see the respective product folders at TI.com.

3.1.1 LMT70A—Precision Analog Temperature Sensor

The LMT70A is an ultra-small, high-precision, low-power CMOS analog temperature sensor with an output enable pin. Applications for the LMT70A include virtually any type of temperature sensing that requires cost effectiveness, high precision, and low power, such as Internet of Things (IoT) sensor nodes, medical thermometers, high-precision instrumentation, and battery-powered devices. The LMT70A is also a great replacement for resistance-temperature detectors (RTDs) and precision NTC or PTC thermistors.

The accuracy of the LMT70A is specified as:

- $\pm 0.2^{\circ}\text{C}$ (maximum) from -20°C to 90°C
- $\pm 0.23^{\circ}\text{C}$ (maximum) from 90°C to 110°C

The LMT70A provides an unparalleled temperature matching performance of 0.1°C (maximum) at 30°C for two adjacent LMT70As selected from the same tape and reel. The LMT70 also has a linear and low impedance output that allows for seamless interfacing to an off-the-shelf MCU with ADC. Dissipating less than $36\ \mu\text{W}$, the LMT70 offers ultra-low self-heating to support high precision sensing over a wide temperature range.

These features make the LMT70A an ideal solution for energy metering applications that require heat transfer calculations, such as heat cost allocators.

3.1.2 CC1310—Wireless MCU for Sub-1-GHz RF Systems With Sensor Controller

The CC1310 device contains a Cortex-M3 (CM3) processor and provides a high-performance, low-cost platform that meets the system requirements of minimal memory implementation and low-power consumption while delivering outstanding computational performance and exceptional system response to interrupts.

The sensor controller contains circuitry that can be selectively enabled in standby mode. The peripherals in this domain may be controlled by the sensor controller engine, which is a proprietary, power-optimized CPU. This CPU can read and monitor sensors or perform other tasks autonomously, and significantly reduces the power consumption while offloading the main CM3 CPU.

The SAR ADC module comprises one of the peripherals in the sensor controller. The ADC is a 12-bit, 200-ksamples/s ADC with eight inputs and a built-in voltage reference. The ADC can be triggered by many different sources, including timers, I/O pins, software, the analog comparator, and the RTC.

The analog modules can be connected to up to eight different GPIOs. The peripherals in the sensor controller can also be controlled from the main application processor.

4 System Design Theory

The 12-bit ADC of the CC1310 has two references: A scaled input using a reference of 4.3 V or an unscaled input using a 1.44-V internal voltage reference. The TIDA-00646 uses the 1.44-V internal reference because it covers the full range of the LMT70A sensor with a much higher resolution as compared to the 4.3-V reference. The full range of the LMT70A sensor is approximately 1360 mV at -55°C down to 300 mV for 150°C (see 图 4).

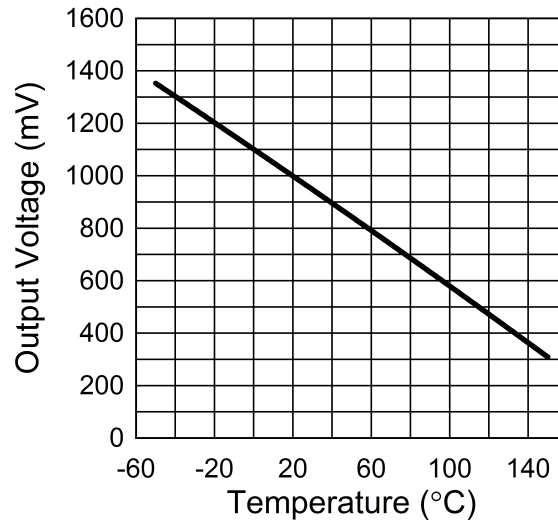


图 4. LMT70 Output Transfer Function

The expected analog voltage output of the LMT70 sensors is in the range of 650 mV to 1000 mV for the relevant temperature range of 20°C to 85°C .

4.1 Connecting LMT70A to 12-Bit ADC of CC1310

The LMT70A sensor uses a 4-pin DSBGA package, where the supply pin VCC and the output enable pin can be wired together, which saves one I/O pin for each sensor that the design uses. J9 and J11 are used to solder three insulated wires to the heater and room sensors. These heater and room sensors are implemented as a very small PCB with board dimensions of just 2.9 mm \times 2.16 mm [8]. 图 5 shows the layout of this PCB. The top-left via is GND, the next via below is TAO, and the bottom-left via is for both VDD and the output enable pins, which are wired together. The LMT70A is soldered on the back side.

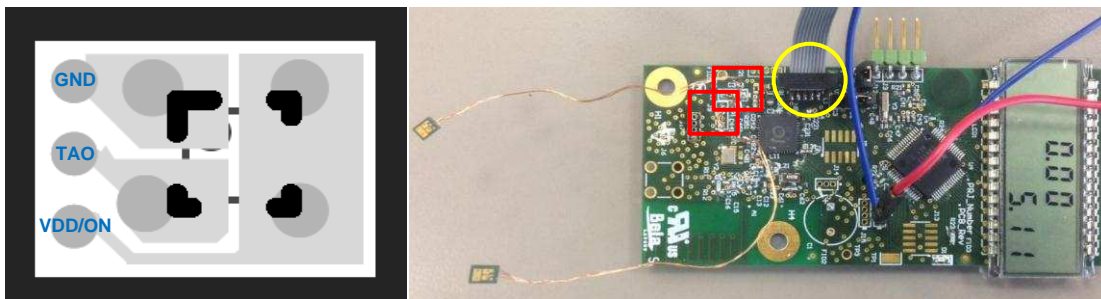


图 5. Small PCB Layout for LMT70 (Left) and Two PCBs Soldered to TIDA-00646 (Right)

4.2 Sensor Controller Operation

The sensor controller can perform certain tasks at significantly lower power consumption than the MCU subsystem because of the small size and implementation of the controller in an ultra-low-leakage technology. Some typical use cases where the sensor controller can offload the MCU subsystem are:

- ADC sampling and filtering of results
- Frequency measurements to support oscillator calibration
- Frequency measurements to compensate RTC frequency
- Control of GPIO pins, including bit-banged SPI, I²C, and universal asynchronous receiver and transmitter (UART)
- Capacitive sensing and filtering of measurement results to reduce load on the system CPU

In this TIDA-00646, the sensor controller provides a periodical readout of the room and heater sensors through the ADC sampling and by calculating the measured temperature. The period itself is software configurable and the user may adapt this to their requirements. The provided software example uses one sample per second for each LMT70A sensor.

5 Getting Started Hardware

To debug the source code on the CC1310 device, the J4 2- x 5-pin connector is used (10-pin ARM JTAG connector). A 10-pin flat ribbon cable interfaces J4 to a SmartRF06 evaluation board with the XDS100v3 Debugger, which is used to program the Cortex-M3 MCU core of the CC1310 (see the yellow circle in [图 6](#)).

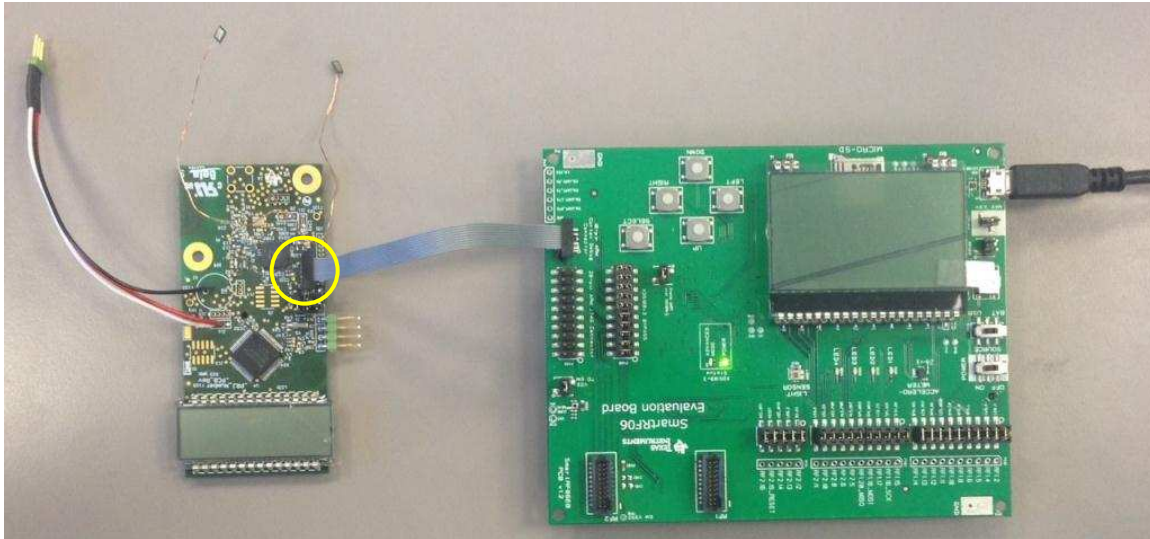


图 6. TIDA-00646 Connected to SRF06EB for Power Supply and Debugging

5.1 LMT70A Connection to PCB

The TIDA-00646 PCB does not contain the LMT70A sensors because in HCA applications one temperature sensor measures the heating unit (heater sensor) and the second sensor captures the room temperature (room sensor). All HCA devices are mounted firmly onto the body of the heating unit and the temperature sensor of the heater must make a good thermal contact with the heater surface. In contrast, the room temperature sensor is positioned in the opposite direction to the room or away from the heating unit. The two-sensor approach used in this TI Design is described in the DIN EN834 as the two-sensor measurement method.

The required physical placement of these two sensors makes soldering the LMT70A devices onto the PCB impractical. As a solution, two Jumpers (J9 and J11) with the proper signals for contacting the two sensors are used (see the two red squares in [图 5](#)).

5.2 UART Link to Terminal Program

A simple UART connection is implemented on the CC1310 device and the RX and TX signals are present at jumper J16. These two signals must be connected to a UART bridged to a virtual COM port converter, an example of which can be found on the MSP430™ MCU LaunchPad from Texas Instruments (TI), MSP430 FET debugger, or SmartRF06EB with port 408, pin 11, and pin 13 (named XDS100v3 BYPASS). With this UART-to-virtual COM port converter, any terminal program can read the UART data from the CC1310 device and write characters back, if the user desires control over the UART function. The default UART settings used for testing are 9600 bps, 8, n, and 1 and the user can modify these UART settings by using the IAR source code project, as required.

6 Getting Started Firmware

A full version of the IAR ARM Embedded Workbench (version 7.40.3 or later) is required to compile and debug the firmware. In addition, the Sensor Controller Studio (SCS), which is a TI provided tool chain, is required to generate the binary code for the sensor controller. Download the SCS software at the following link: <http://www.ti.com/tool/sensor-controller-studio> [4].

The firmware also requires installation of the TI Real-Time Operating System (TI RTOS) package, which can be installed in the following example pathway: *c:\ti\rtos_simplelink_2_14_02_22*). The TI RTOS package is integrated with both the IAR Embedded Workbench and TI's Code Composer Studio™ (CCS) IDE tools and can be installed from the integrated development environment (IDE).

Two IAR projects have been provided: *flow_meter.eww* and *flow_meter_uart.eww*. The first project is an ultra-low power version where only the LMT70 reading occurs every second (or at any configurable period). The second project adds UART support such that the LMT70 values transmit to a terminal program on the PC store in a file log for later evaluation.

6.1 Sensor Controller Studio (SCS) Code Project

To ease the development of program code running on the sensor controller, TI provides a complete tool chain to write software for the controller, which is Sensor Controller Studio (SCS), as [图 7](#) shows. The SCS is a fully integrated tool consisting of an IDE, compiler, assembler, and linker.

This tool chain can be used to write C-like code for the controller and has a power and event management framework included in the background, which handles most of the complexity regarding the sensor controller and the events and power management. This management framework also handles the complexity that arises in a multi-CPU system, such as the CC1310.

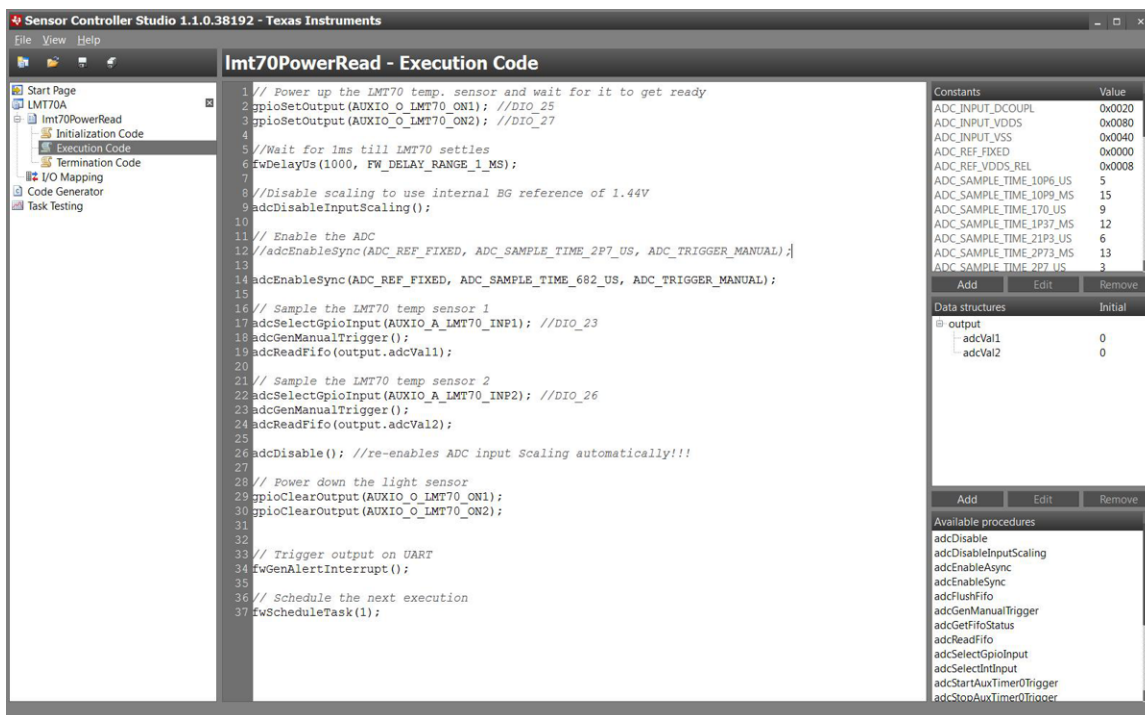


图 7. Sensor Controller Project for CC1310 and LMT70A Readout of Each Sensor

6.2 IAR Embedded Workbench for ARM Code Project

The code, which is generated by the SCS project, is a list of files that are part of a bigger IAR project. The IAR main() code example adds the TI RTOS framework and combines the code for the Cortex-M3 core (such as UART functionality) with the sensor controller code into a single firmware image. 图 8 shows the files that the SCS generates (blue circle).

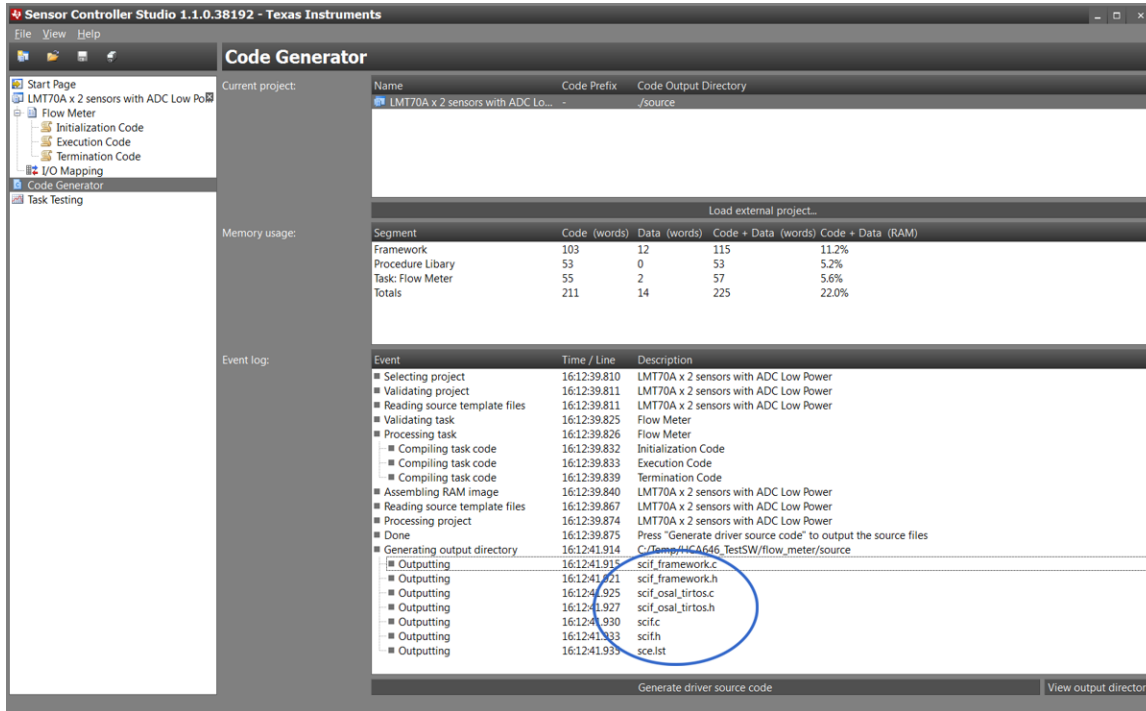


图 8. Sensor Controller Output Files Included in IAR Project

7 Test Setup

The TIDA-00646 testing is done using SmartRF06 evaluation board as the debugger and virtual COM port hardware. When using the COM port, the user must remove the jumpers on P408 for pins 11 and 12 and pins 13 and 14 on the SmartRF06EB.

The next step in testing is to connect the TX line and RX line of the CC1310 device (J16 on TIDA-00646) through wires to pin 11 and pin 13 respectively, as 图 9 shows. An important thing to note for the UART connection to work properly is that the MSP430FR4133 (if populated) must be programmed to not drive the UART lines, because these lines are now used for the virtual COM port communication to a Windows PC. Installing the SmartRF™ Studio 7 software also adds the appropriate hardware drivers for the SmartRF06 evaluation board to the PC, including support for the virtual COM port [5].

To capture the 8 节 *Test Data*, the sensor controller project with UART support *flow_meter_uart.eww* was utilized. The current consumption has not been optimized here because the two LMT70 readings are sent out every second over the UART connection using the Cortex-M3 core of the CC1310 device.

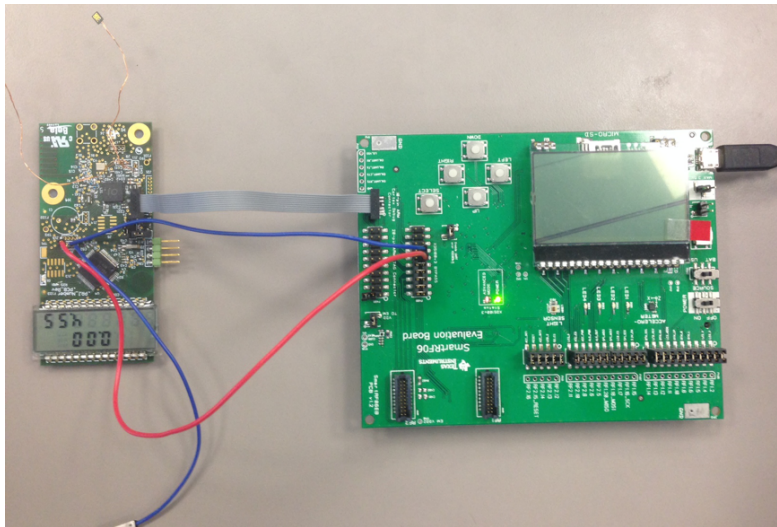


图 9. TIDA-00646 With LMT70 Sensors and UART Connection to SmartRF06EB

8 Test Data

Several tests were conducted to characterize the performance of the TIDA-00646 design. The first test uses a temperature oven with a PT100 element inserted as a reference measurement device.

8.1 Temperature Testing Using Temperature Oven

The algorithm for collecting the test data using the temperature oven is:

1. Set the temperature for the oven and wait for it to settle down to 0.3°C (temperatures: 20°C to 85°C in 5K steps).
2. Wait 3600 s.
3. Measure each LMT70A sensor (room and heater) at 2.1 V, 2.5 V, 3.0 V, and 3.6 V once per second for a total of 40 times.
4. Move to the next temperature and start over if the last temperature step has yet to be reached.

The following test results were generated by heating up a temperature oven (or chamber) from 20°C upwards to 85°C (in 5K steps). 图 10 and 图 11 show an identical performance for 3.6 V and 3.0 V, which are common battery voltages.

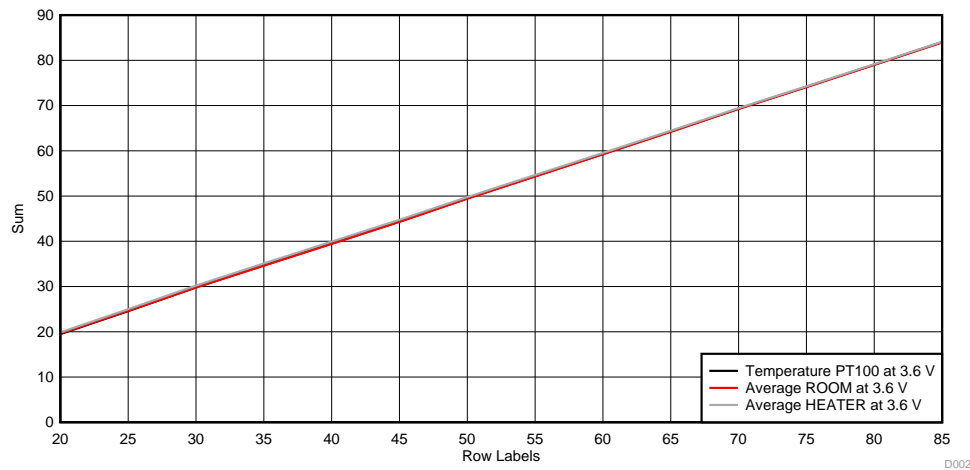


图 10. Two LMT70 Sensors (Heating From 25°C to 85°C) at 3.6 V Compared to PT100

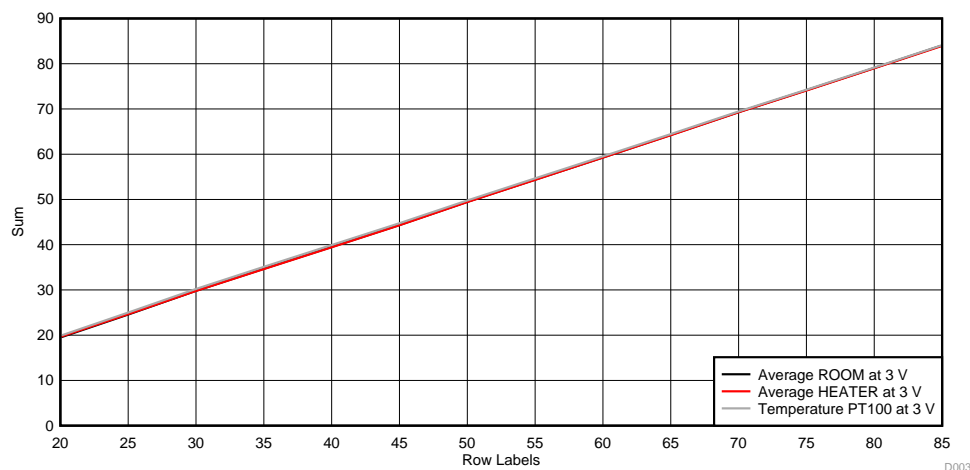


图 11. Two LMT70 Sensors (Heating From 25°C to 85°C) at 3.0 V Compared to PT100

The preceding plots used regular or unmatched LMT70 devices (as populated onto the small PCB).

8.2 Temperature Testing Using Precision Oil Bath

A comparison measurement using a different PCB and two LMT70A matched sensors was performed using a precision oil bath (see 图 12). To enable the correct sampling of the LMT70A output voltage, the sampling time for the ADC12 was extended to 682 μ s. The same sampling time was also used when capturing the data in the preceding 图 10 and 图 11.

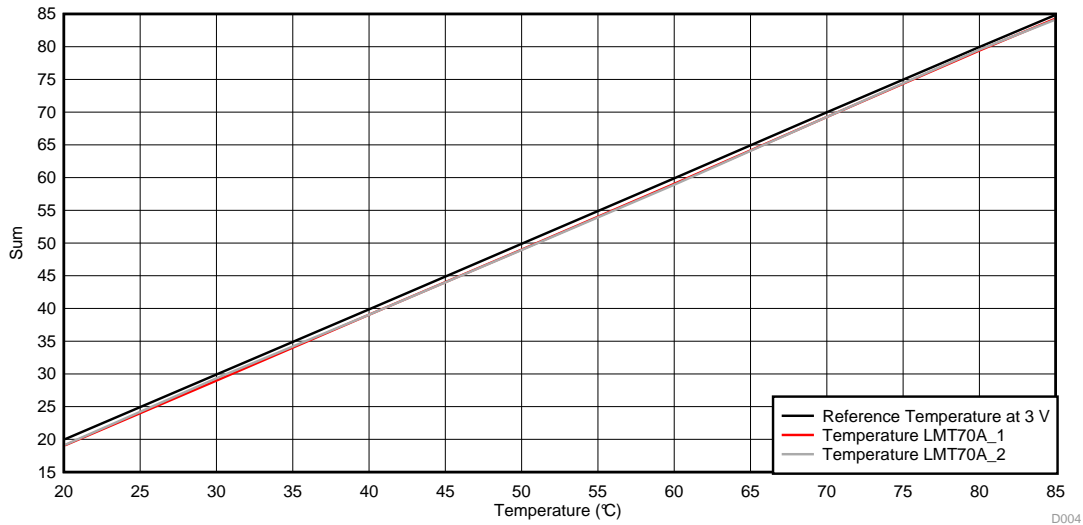


图 12. Two LMT70A Sensors in Precision Temperature Oil Bath

8.3 Current Consumption

The current drawn during the temperature sensing for TIDA-00646 was measured using an Agilent N6781A source/measure unit for battery drain analysis. In addition to the CC1310 and two LMT70 sensors on a small PCB, a MSP430FR4133 MCU was populated onto the TIDA-00646 board.

The CC1310 runs the temperature sensing algorithm for reading two LMT70 sensors once per second or once per four seconds. The ADC12 sampling time is set to 682 μ s. 图 13 shows the test result at room temperature and with a 3.0-V external supply.

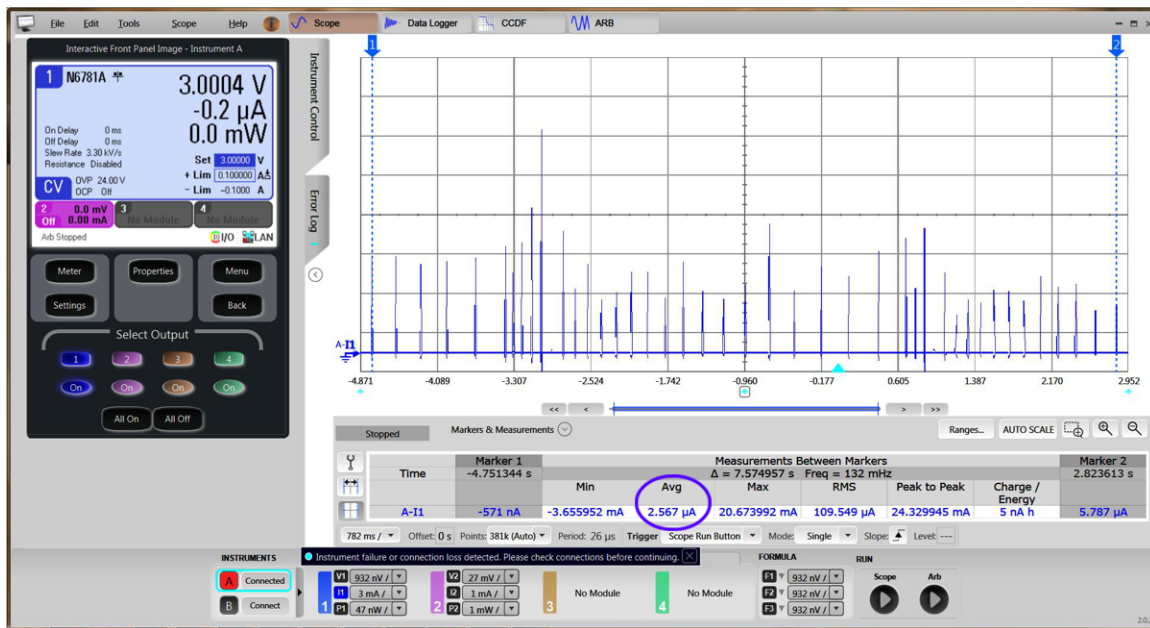


图 13. Two LMT70A Sensors Read Out By CC1310 Every Four Seconds

The MSP430FR4133 was programmed with the LPM4.5 code example from the CCS version 6.1.1.00022 IDE tool [9]. In the LPM4.5 state, the MSP430 device operates with only a 15-nA current draw. The integrated LCD controller peripheral was explicitly disabled to save current.

The average current consumption is approximately 2.56 μA at 3 V (see the blue circle in the preceding 图 13). This plot shows that the current profile is dictated by the DC-DC recharge pulses for the CC1310 on-chip DC-DC controller. UART communication does not occur here and only the periodic LMT70A sensors sample every four seconds.

8.4 Follow-Up—Further Reduction of Current Consumption

To further reduce the current consumption, TI recommends to test and optimize the sampling time for the ADC12 in CC1310. The time 682 μs has been selected with a sufficient margin to allow the ADC12 sampling value to settle. Initial tests at room temperature indicate that this time can be reduced to a much shorter time, for example, 42.6 μs or 85.3 μs . Other measurements show that using the shortest possible sampling time of 2.7 μs introduces a large error.

Another optimization that TI recommends relates to the UART communication with the CC1310 device, where the LMT70A values are reported periodically. Activating the Cortex-M3 core and transmitting very few bytes every few seconds at 9.6 kbps is quite inefficient. A possible alternative is to collect the temperature values in a buffer inside the 2-KB RAM memory of the sensor controller. The sensor controller task only requires 452 bytes, leaving almost 1600 bytes free for buffering data. The buffered data must be transferred in bursts of a few hundred bytes to avoid power-down sequences and activating the M3-core too frequently.

Increasing the UART data rate to 230.6 kbps or 460.8 kbps also reduces the average data consumption of the CC1310 device because of a shorter active time for the Cortex-M3 core and the UART peripheral.

9 Design Files

9.1 Schematics

To download the schematics for each board, see the design files at [TIDA-00646](#).

9.2 Bill of Materials

To download the bill of materials (BOM) for each board, see the design files at [TIDA-00646](#).

9.3 PCB Layout Recommendations

The TIDA-00646 design consists of a two-layer PCB with an approximate 1-mm overall thickness. The two layers lower the cost of the design while the 1-mm thickness increases the mechanical stability of the PCB. The layout follows the exact CC1310 reference design as specified in the CC1310 design files [2].

9.3.1 Layout Prints

To download the layout prints for each board, see the design files at [TIDA-00646](#).

9.4 Altium Project

To download the Altium project files for each board, see the design files at [TIDA-00646](#).

9.5 Gerber Files

To download the Gerber files for each board, see the design files at [TIDA-00646](#).

9.6 Assembly Drawings

To download the assembly drawings for each board, see the design files at [TIDA-00646](#).

10 Software Files

To download the software files for this reference design, see the design files at [TIDA-00646](#).

11 References

1. Beuth.de, *Heat cost allocators for the determination of the consumption of room heating radiators - Appliances with electrical energy supply*, DIN EN 834:2013-12 Standard (<http://www.beuth.de/en/standard/din-en-834/190493004>)
2. Texas Instruments, SimpleLink CC1310 2-Layer 7x7 Differential 779-930 MHz v1.3.3 Design Files (<http://www.ti.com/lit/zip/swrc309>)
3. Texas Instruments, *CC1310 SimpleLink™ Ultralow Power Sub-1-GHz Wireless MCU*, CC1310 Data Sheet ([SWRS181](#))
4. Texas Instruments, *Sensor Controller Studio* (<http://www.ti.com/tool/sensor-controller-studio>)
5. Texas Instruments, *SmartRF Studio* (<http://www.ti.com/tool/smartrfm-studio>)
6. Texas Instruments, *LMT70, LMT70A ±0.05°C Precision Analog Temperature Sensor, RTD and Precision NTC Thermistor IC*, LMT70 and LMT70A Data Sheet ([SWRS181](#))
7. Texas Instruments, *LMT70EVM BoosterPack*, LMT70EVM BoosterPack User's Guide ([SNIU024](#))
8. Texas Instruments, *Wearable Temperature Sensing Layout Considerations Optimized for Thermal Response*, LMT70 Application Report ([SNIA021](#))
9. Texas Instruments, *Code Composer Studio (CCS) Integrated Development Environment (IDE)* (<http://www.ti.com/tool/ccstudio>)

12 Terminology

CCS— Code Composer Studio™ software from TI

ETSI Category 2 Receiver— Definition for a set of RF parameters in EN300 220 v2.4.1, representing the minimum requirement in wM-Bus capable RF systems at 868 MHz

HCA— Heat cost allocators: battery-powered electronic devices used to capture the proportionate thermal output of radiators in consumer units

Heater sensor— Temperature sensor, attached to the radiator (or heating element)

NTC— Negative temperature coefficient

PTC— Positive temperature coefficient

Room sensor— Temperature sensor for monitoring the room or ambient air temperature

RTD— Resistance-temperature detector

SCS— Sensor Controller Studio tool from TI

TI RTOS— Texas Instruments Real-Time Operating System

13 About the Author

MILEN STEFANOV (M.Sc.E.E) is a System Engineer at TI, working in the field of Grid Infrastructure and an expert in RF communication technologies and Metering applications. After graduating, he spent 5 years as a research assistant at University of Chemnitz (TUC) and 3.5 years in the semiconductor industry in high-speed optical and wired communications as a system engineer. He joined TI in 2003 to become a Wi-Fi expert and support TI's Wi-Fi products at major OEMs; since 2010 he is focusing on Metering and Sub-1-GHz RF solutions for the European grid infrastructure market. Mr. Stefanov has published multiple articles on wM-Bus technology in Europe and presented technical papers at the Wireless Congress and SmartHome & Metering summits in Munich.

有关 TI 设计信息和资源的重要通知

德州仪器 (TI) 公司提供的技术、应用或其他设计建议、服务或信息，包括但不限于与评估模块有关的参考设计和材料（总称“TI 资源”），旨在帮助设计人员开发整合了 TI 产品的应用；如果您（个人，或如果是代表贵公司，则为贵公司）以任何方式下载、访问或使用了任何特定的 TI 资源，即表示贵方同意仅为该等目标，按照本通知的条款进行使用。

TI 所提供的 TI 资源，并未扩大或以其他方式修改 TI 对 TI 产品的公开适用的质保及质保免责声明；也未导致 TI 承担任何额外的义务或责任。TI 有权对其 TI 资源进行纠正、增强、改进和其他修改。

您理解并同意，在设计应用时应自行实施独立的分析、评价和判断，且应全权负责并确保应用的安全性，以及您的应用（包括应用中使用的 TI 产品）应符合所有适用的法律法规及其他相关要求。您就您的应用声明，您具备制订和实施下列保障措施所需的一切必要专业知识，能够 (1) 预见故障的危险后果，(2) 监视故障及其后果，以及 (3) 降低可能导致危险的故障几率并采取适当措施。您同意，在使用或分发包含 TI 产品的任何应用前，您将彻底测试该等应用和该等应用所用 TI 产品的功能。除特定 TI 资源的公开文档中明确列出的测试外，TI 未进行任何其他测试。

您只有在为开发包含该等 TI 资源所列 TI 产品的应用时，才被授权使用、复制和修改任何相关单项 TI 资源。但并未依据禁止反言原则或其他法律授予您任何 TI 知识产权的任何其他明示或默示的许可，也未授予您 TI 或第三方的任何技术或知识产权的许可，该等产权包括但不限于任何专利权、版权、屏蔽作品权或与使用 TI 产品或服务的任何整合、机器制作、流程相关的其他知识产权。涉及或参考了第三方产品或服务的信息不构成使用此类产品或服务的许可或与其相关的保证或认可。使用 TI 资源可能需要您向第三方获得对该等第三方专利或其他知识产权的许可。

TI 资源系“按原样”提供。TI 兹免除对 TI 资源及其使用作出所有其他明确或默认的保证或陈述，包括但不限于对准确性或完整性、产权保证、无复发故障保证，以及适销性、适合特定用途和不侵犯任何第三方知识产权的任何默认保证。

TI 不负责任何申索，包括但不限于因组合产品所致或与之有关的申索，也不为您辩护或赔偿，即使该等产品组合已列于 TI 资源或其他地方。对因 TI 资源或其使用引起或与之有关的任何实际的、直接的、特殊的、附带的、间接的、惩罚性的、偶发的、从属或惩戒性损害赔偿，不管 TI 是否获悉可能会产生上述损害赔偿，TI 概不负责。

您同意向 TI 及其代表全额赔偿因您不遵守本通知条款和条件而引起的任何损害、费用、损失和/或责任。

本通知适用于 TI 资源。另有其他条款适用于某些类型的材料、TI 产品和服务的使用和采购。这些条款包括但不限于适用于 TI 的半导体产品 (<http://www.ti.com/sc/docs/stdterms.htm>)、[评估模块](http://www.ti.com/sc/docs/sampters.htm)和样品 (<http://www.ti.com/sc/docs/sampters.htm>) 的标准条款。

邮寄地址：上海市浦东新区世纪大道 1568 号中建大厦 32 楼，邮政编码：200122
Copyright © 2017 德州仪器半导体技术（上海）有限公司