

# MUX36xxx 36V 低电容、低泄漏电流、高精度模拟多路复用器

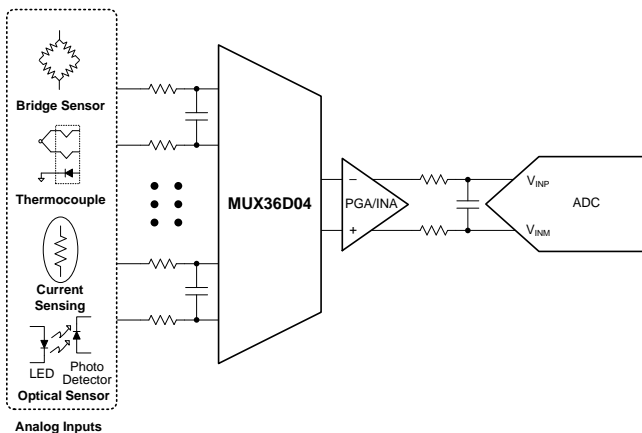
## 1 特性

- 低导通电阻
  - MUX36S08: 9.4pF
  - MUX36D04: 6.7pF
- 低泄漏电流: 1pA
- 低电荷注入: 0.3pC
- 轨至轨运行
- 宽电源电压范围:  $\pm 5V$  至  $\pm 18V$  或 10V 至 36V
- 低导通电阻: 125 $\Omega$
- 转换时间: 92ns
- 先断后合开关操作
- EN 引脚与  $V_{DD}$  相连
- 逻辑电平: 2V 至  $V_{DD}$
- 低电源电流: 45 $\mu A$
- ESD 保护 HBM: 2000V
- 行业标准 TSSOP 封装和更小型的 WQFN 封装
- 有关其他配置, 请参阅:
  - TMUX6111/ 12/ 13 (4 通道 SPST)
  - TMUX6121/ 22/ 23 (2 通道 SPST)
  - TMUX6119 (1 通道 SPDT)
  - TMUX6136 (2 通道 SPDT)
  - TMUX6104 (1 通道 4:1)

## 2 应用

- 工厂自动化和工业过程控制
- 可编程逻辑控制器 (PLC)
- 模拟输入模块
- 自动测试设备
- 电池监控系统

简化电路原理图



## 3 说明

MUX36S08 和 MUX36D04 (MUX36xxx) 是现代互补金属氧化物半导体 (CMOS) 模拟多路复用器 (mux)。MUX36S08 提供 8:1 单端通道, 而 MUX36D04 提供差动 4:1 或双 4:1 单端通道。MUX36S08 和 MUX36D04 在双电源 ( $\pm 5V$  至  $\pm 18V$ ) 或单电源 (10V 至 36V) 供电时均能正常运行。它们在由对称电源 (如  $V_{DD} = 12V$ 、 $V_{SS} = -12V$ ) 和非对称电源 (如  $V_{DD} = 12V$ 、 $V_{SS} = -5V$ ) 供电时也能保证优异性能。所有数字输入具有兼容晶体管-晶体管逻辑电路 (TTL) 的阈值。当器件在有效电源电压范围内运行时, 该阈值可确保 TTL 和 CMOS 逻辑电路的兼容性。

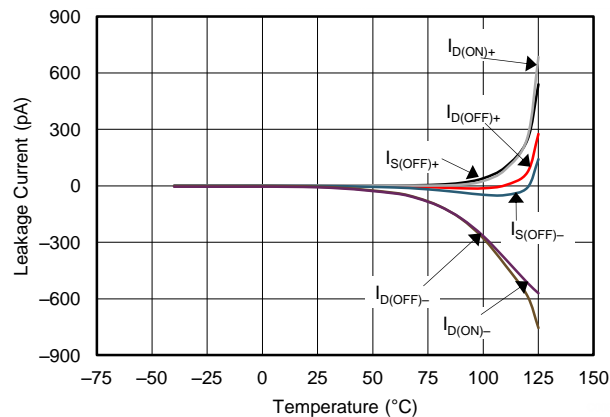
MUX36S08 和 MUX36D04 的导通和关断泄漏电流较低, 允许此类多路复用器以最小误差转换来源于高输入阻抗的信号。仅为 45 $\mu A$  的低电源电流支持其应用于便携式应用。

器件信息<sup>(1)</sup>

器件型号	封装	封装尺寸 (标称值)
MUX36S08	TSSOP (16)	5.00mm x 4.40mm
MUX36D04	WQFN (16)	4.00mm x 4.00mm

(1) 如需了解所有可用封装, 请参阅数据表末尾的封装选项附录。

泄漏电流与温度间的关系



目录

1	特性 .....	1	8.11	Channel-to-Channel Crosstalk .....	21
2	应用 .....	1	8.12	Bandwidth .....	22
3	说明 .....	1	8.13	THD + Noise .....	22
4	修订历史记录 .....	2	<b>9</b>	<b>Detailed Description .....</b>	<b>23</b>
5	<b>Device Comparison Table .....</b>	<b>4</b>	9.1	Overview .....	23
6	<b>Pin Configuration and Functions .....</b>	<b>4</b>	9.2	Functional Block Diagram .....	23
7	<b>Specifications .....</b>	<b>6</b>	9.3	Feature Description .....	24
7.1	Absolute Maximum Ratings .....	6	9.4	Device Functional Modes .....	26
7.2	ESD Ratings .....	6	<b>10</b>	<b>Application and Implementation .....</b>	<b>27</b>
7.3	Recommended Operating Conditions .....	6	10.1	Application Information .....	27
7.4	Thermal Information .....	7	10.2	Typical Application .....	27
7.5	Electrical Characteristics: Dual Supply .....	7	<b>11</b>	<b>Power Supply Recommendations .....</b>	<b>29</b>
7.6	Electrical Characteristics: Single Supply .....	9	<b>12</b>	<b>Layout .....</b>	<b>30</b>
7.7	Typical Characteristics .....	11	12.1	Layout Guidelines .....	30
<b>8</b>	<b>Parameter Measurement Information .....</b>	<b>15</b>	12.2	Layout Example .....	30
8.1	Truth Tables .....	15	<b>13</b>	<b>器件和文档支持 .....</b>	<b>31</b>
8.2	On-Resistance .....	16	13.1	文档支持 .....	31
8.3	Off-Leakage Current .....	16	13.2	相关链接 .....	31
8.4	On-Leakage Current .....	17	13.3	接收文档更新通知 .....	31
8.5	Differential On-Leakage Current .....	17	13.4	社区资源 .....	31
8.6	Transition Time .....	18	13.5	商标 .....	31
8.7	Break-Before-Make Delay .....	18	13.6	静电放电警告 .....	31
8.8	Turn-On and Turn-Off Time .....	19	13.7	术语表 .....	31
8.9	Charge Injection .....	20	<b>14</b>	<b>机械、封装和可订购信息 .....</b>	<b>31</b>
8.10	Off Isolation .....	21			

4 修订历史记录

注：之前版本的页码可能与当前版本有所不同。

Changes from Revision C (April 2018) to Revision D	Page
• 已添加 特征：有关其他配置，请参阅 .....	1
• Added RRJ (WQFN) package option to the MUX36D08 .....	4
• Changed the WQFN S6 pin number From: 19 To: 9 .....	4
• Added the RRJ package option to the MUX36D04 .....	5
• Added WQFN (RRJ) data to <i>Thermal Information</i> .....	7
• Changed On-resistance drift unit value From: $\Omega$ To: $\%/^{\circ}\text{C}$ .....	7
• Changed $I_{DL(ON)}$ unit value From: nA To: pA .....	7

Changes from Revision B (July 2016) to Revision C	Page
• 已添加 已将 WQFN 封装选项添加到 特性 .....	1
• 已添加 已在器件信息中添加了 WQFN 封装选项 .....	1
• Changed Description column of MUX36D04 row in <i>Device Comparison Table</i> .....	4
• Added WQFN (RUM) data to <i>Thermal Information</i> .....	7
• Changed On-resistance drift TYP value From: 0.52 To: 0.64 in <i>Electrical Characteristics: Dual Supply</i> .....	7
• Changed Analog Switch, $I_D$ parameter in <i>Electrical Characteristics: Dual Supply</i> table: split parameter into $I_{D(OFF)}$ and $I_{D(ON)}$ parameters, changed symbols, parameter names, and test conditions .....	7
• Changed Analog Switch, $I_{DL(ON)}$ parameter test conditions in <i>Electrical Characteristics: Dual Supply</i> table .....	7
• Changed On-resistance drift TYP value From: 0.47 To: 1.13 in <i>Electrical Characteristics: Single Supply</i> .....	9
• Changed Analog Switch, $I_D$ parameter in <i>Electrical Characteristics: Single Supply</i> table: split parameter into $I_{D(OFF)}$	

and $I_{D(ON)}$ parameters, changed symbols, parameter names, and $I_{D(ON)}$ test conditions .....	9
• Changed and swapped data between 25°C and 85°C to fix the typo .....	10
• Changed <a href="#">图 30</a> : changed low-voltage level to 0 V .....	18
• Changed <a href="#">图 33</a> : added 0 V line, flipped $V_S$ supply symbol .....	20
• Changed <a href="#">图 37</a> : changed 5 $V_{RMS}$ marking in <i>Audio Precision</i> box .....	22
• Changed description of MUX36D04 in <i>Overview</i> section.....	23
• Changed <a href="#">图 43</a> : changed OPA140 amplifier and charge kickback filter box .....	27

---

**Changes from Revision A (January 2016) to Revision B**
**Page**

• Added differential on-leakage current parameter to <i>Electrical Characteristics</i> table .....	7
• Added <i>Differential On-Leakage Current</i> section.....	17

---

**Changes from Original (January 2016) to Revision A**
**Page**

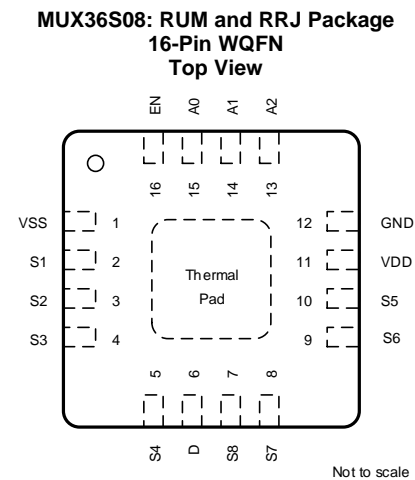
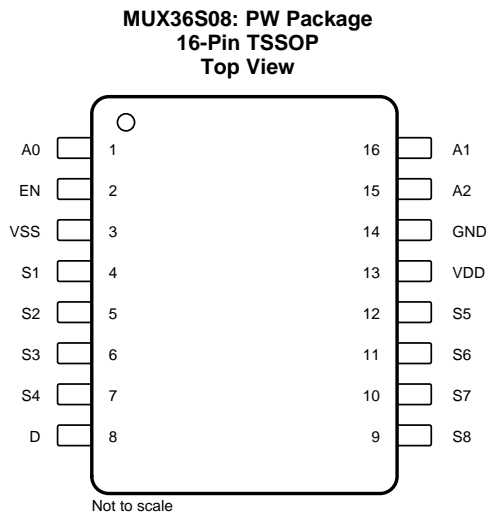
• 已由“产品预览”更改为“量产数据” .....	1
---------------------------	---

---

## 5 Device Comparison Table

PRODUCT	DESCRIPTION
MUX36S08	8-channel, single-ended analog multiplexer (8:1 mux)
MUX36D04	4-channel differential or dual 4:1 single-ended analog multiplexer (8:2 mux)

## 6 Pin Configuration and Functions

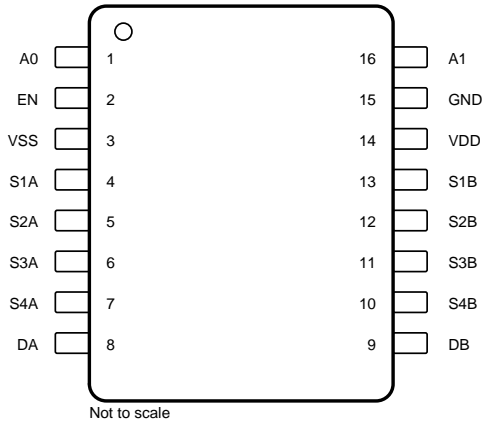
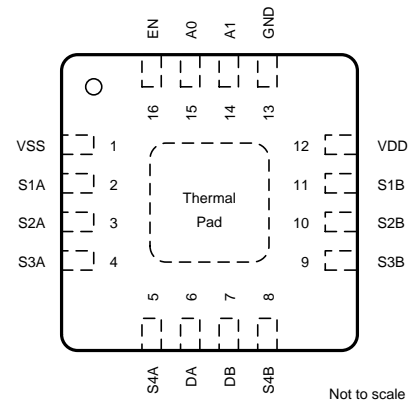


RUM and RRJ have the same package dimension, but different thermal pad dimension and lead finger length.

### Pin Functions: MUX36S08

NAME	PIN		FUNCTION	DESCRIPTION
	TSSOP	WQFN		
A0	1	15	Digital input	Address line 0
A1	16	14	Digital input	Address line 1
A2	15	13	Digital input	Address line 2
D	8	6	Analog input or output	Drain pin. Can be an input or output.
EN	2	16	Digital input	Active high digital input. When this pin is low, all switches are turned off. When this pin is high, the A[2:0] logic inputs determine which switch is turned on.
GND	14	12	Power supply	Ground (0 V) reference
S1	4	2	Analog input or output	Source pin 1. Can be an input or output.
S2	5	3	Analog input or output	Source pin 2. Can be an input or output.
S3	6	4	Analog input or output	Source pin 3. Can be an input or output.
S4	7	5	Analog input or output	Source pin 4. Can be an input or output.
S5	12	10	Analog input or output	Source pin 5. Can be an input or output.
S6	11	9	Analog input or output	Source pin 6. Can be an input or output.
S7	10	8	Analog input or output	Source pin 7. Can be an input or output.
S8	9	7	Analog input or output	Source pin 8. Can be an input or output.
VDD	13	11	Power supply	Positive power supply. This pin is the most positive power-supply potential. For reliable operation, connect a decoupling capacitor ranging from 0.1 $\mu$ F to 10 $\mu$ F between $V_{DD}$ and GND.
VSS	3	1	Power supply	Negative power supply. This pin is the most negative power-supply potential. In single-supply applications, this pin can be connected to ground. For reliable operation, connect a decoupling capacitor ranging from 0.1 $\mu$ F to 10 $\mu$ F between $V_{SS}$ and GND.
Thermal Pad <sup>(1)</sup>	-	-	Power supply	Exposed Pad. The exposed pad is electrically connected to $V_{SS}$ internally. Connect EP to $V_{SS}$ to achieve rated thermal and ESD performance.

(1) RUM and RRJ have the same package dimension, but different thermal pad dimension and lead finger length.

**MUX36D04: PW Package  
16-Pin TSSOP  
Top View**

**MUX36D04: RUM and RRJ Package  
16-Pin WQFN  
Top View**


RUM and RRJ have the same package dimension, but different thermal pad dimension and lead finger length.

**Pin Functions: MUX36D04**

PIN		FUNCTION	DESCRIPTION
NAME	TSSOP		
A0	1	Digital input	Address line 0
A1	16	Digital input	Address line 1
DA	8	Analog input or output	Drain pin A. Can be an input or output.
DB	9	Analog input or output	Drain pin B. Can be an input or output.
EN	2	Digital input	Active high digital input. When this pin is low, all switches are turned off. When this pin is high, the A[1:0] logic inputs determine which pair of switches is turned on.
GND	15	Power supply	Ground (0 V) reference
S1A	4	Analog input or output	Source pin 1A. Can be an input or output.
S2A	5	Analog input or output	Source pin 2A. Can be an input or output.
S3A	6	Analog input or output	Source pin 3A. Can be an input or output.
S4A	7	Analog input or output	Source pin 4A. Can be an input or output.
S1B	13	Analog input or output	Source pin 1B. Can be an input or output.
S2B	12	Analog input or output	Source pin 2B. Can be an input or output.
S3B	11	Analog input or output	Source pin 3B. Can be an input or output.
S4B	10	Analog input or output	Source pin 4B. Can be an input or output.
V <sub>DD</sub>	14	Power supply	Positive power supply. This pin is the most positive power supply potential. For reliable operation, connect a decoupling capacitor ranging from 0.1 $\mu$ F to 10 $\mu$ F between V <sub>DD</sub> and GND.
V <sub>SS</sub>	3	Power supply	Negative power supply. This pin is the most negative power supply potential. In single-supply applications, this pin can be connected to ground. For reliable operation, connect a decoupling capacitor ranging from 0.1 $\mu$ F to 10 $\mu$ F between V <sub>SS</sub> and GND.
Thermal Pad <sup>(1)</sup>	-	Power supply	Exposed Pad. The exposed pad is electrically connected to VSS internally. Connect EP to V <sub>SS</sub> to achieve rated thermal and ESD performance.

(1) RUM and RRJ have the same package dimension, but different thermal pad dimension and lead finger length.

## 7 Specifications

### 7.1 Absolute Maximum Ratings

 over operating free-air temperature range (unless otherwise noted)<sup>(1)</sup>

		MIN	MAX	UNIT	
Voltage	Supply	$V_{DD}$	-0.3	40	V
		$V_{SS}$	-40	0.3	
		$V_{DD} - V_{SS}$		40	
	Digital input pins: <sup>(2)</sup> EN, A0, A1, A2		$V_{SS} - 0.3$	$V_{DD} + 0.3$	V
	Analog input pins: <sup>(2)</sup> Sx, SxA, SxB, D, DA, DB		$V_{SS} - 2$	$V_{DD} + 2$	V
Current <sup>(3)</sup>		-30	30	mA	
Temperature	Operating, $T_A$	-55	150	°C	
	Junction, $T_J$		150		
	Storage, $T_{stg}$	-65	150		

(1) Stresses beyond those listed under *Absolute Maximum Ratings* may cause permanent damage to the device. These are stress ratings only, which do not imply functional operation of the device at these or any other conditions beyond those indicated under *Recommended Operating Conditions*. Exposure to absolute-maximum-rated conditions for extended periods may affect device reliability.

(2) Only one pin at a time

(3) Voltage limits are valid if current is limited to  $\pm 30$  mA.

### 7.2 ESD Ratings

		VALUE	UNIT
$V_{(ESD)}$	Electrostatic discharge	Human-body model (HBM), per ANSI/ESDA/JEDEC JS-001 <sup>(1)</sup>	$\pm 2000$
		Charged-device model (CDM), per JEDEC specification JESD22-C101 <sup>(2)</sup>	$\pm 500$

(1) JEDEC document JEP155 states that 500-V HBM allows safe manufacturing with a standard ESD control process.

(2) JEDEC document JEP157 states that 250-V CDM allows safe manufacturing with a standard ESD control process.

### 7.3 Recommended Operating Conditions

		MIN	NOM	MAX	UNIT
$V_{DD}$ <sup>(1)</sup>	Positive power-supply voltage	Dual supply	5	18	V
		Single supply	10	36	
$V_{SS}$ <sup>(2)</sup>	Negative power-supply voltage (dual supply)	-5		-18	V
$V_{DD} - V_{SS}$	Supply voltage	10		36	V
$V_S$	Source pins voltage <sup>(3)</sup>	$V_{SS}$		$V_{DD}$	V
$V_D$	Drain pins voltage	$V_{SS}$		$V_{DD}$	V
$V_{EN}$	Enable pin voltage	$V_{SS}$		$V_{DD}$	V
$V_A$	Address pins voltage	$V_{SS}$		$V_{DD}$	V
$I_{CH}$	Channel current ( $T_A = 25^\circ\text{C}$ )	-25		25	mA
$T_A$	Operating temperature	-40		125	°C

(1) When  $V_{SS} = 0$  V,  $V_{DD}$  can range from 10 V to 36 V.

(2)  $V_{DD}$  and  $V_{SS}$  can be any value as long as  $10 \text{ V} \leq (V_{DD} - V_{SS}) \leq 36 \text{ V}$ .

(3)  $V_S$  is the voltage on all S pins.

## 7.4 Thermal Information

THERMAL METRIC <sup>(1)</sup>		MUX36S08 and MUX36D04			UNIT
		PW (TSSOP)	RUM (WQFN)	RRJ (WQFN)	
		16 PINS	16 PINS	16 PINS	
R <sub>θJA</sub>	Junction-to-ambient thermal resistance	103.8	37.3	46.2	°C/W
R <sub>θJC(top)</sub>	Junction-to-case (top) thermal resistance	36.8	31.6	37.7	°C/W
R <sub>θJB</sub>	Junction-to-board thermal resistance	49.8	16.2	21.7	°C/W
ψ <sub>JT</sub>	Junction-to-top characterization parameter	2.7	0.5	0.7	°C/W
ψ <sub>JB</sub>	Junction-to-board characterization parameter	49.1	16.2	21.7	°C/W
R <sub>θJC(bot)</sub>	Junction-to-case (bottom) thermal resistance	N/A	6.1	6.2	°C/W

(1) For more information about traditional and new thermal metrics, see the [Semiconductor and IC Package Thermal Metrics](#) application report.

## 7.5 Electrical Characteristics: Dual Supply

at T<sub>A</sub> = 25°C, V<sub>DD</sub> = 15 V, and V<sub>SS</sub> = -15 V (unless otherwise noted)

PARAMETER		TEST CONDITIONS		MIN	TYP	MAX	UNIT	
<b>ANALOG SWITCH</b>								
Analog signal range		T <sub>A</sub> = -40°C to +125°C		V <sub>SS</sub>		V <sub>DD</sub>	V	
R <sub>ON</sub>	On-resistance	V <sub>S</sub> = 0 V, I <sub>CH</sub> = 1 mA			125	170	Ω	
		V <sub>S</sub> = ±10 V, I <sub>CH</sub> = 1 mA	T <sub>A</sub> = -40°C to +85°C		145	200	Ω	
			T <sub>A</sub> = -40°C to +125°C			250		
ΔR <sub>ON</sub>	On-resistance mismatch between channels	V <sub>S</sub> = ±10 V, I <sub>CH</sub> = 1 mA			2.4	6	Ω	
		T <sub>A</sub> = -40°C to +85°C				9		
		T <sub>A</sub> = -40°C to +125°C				11		
R <sub>FLAT</sub>	On-resistance flatness	V <sub>S</sub> = 10 V, 0 V, -10 V			2.4	6	Ω	
		T <sub>A</sub> = -40°C to +85°C				53		
		T <sub>A</sub> = -40°C to +125°C				58		
On-resistance drift		V <sub>S</sub> = 0 V			0.64		%/°C	
I <sub>S(OFF)</sub>	Input leakage current	Switch state is off, V <sub>S</sub> = ±10 V, V <sub>D</sub> = ±10 V <sup>(1)</sup>			-0.04	0.001	0.04	nA
		T <sub>A</sub> = -40°C to +85°C			-0.15		0.15	
		T <sub>A</sub> = -40°C to +125°C			-1.9		1.9	
I <sub>D(OFF)</sub>	Output off leakage current	Switch state is off, V <sub>S</sub> = ±10 V, V <sub>D</sub> = ±10 V <sup>(1)</sup>			-0.1	0.005	0.1	nA
		T <sub>A</sub> = -40°C to +85°C			-0.5		0.5	
		T <sub>A</sub> = -40°C to +125°C			-2		2	
I <sub>D(ON)</sub>	Output on leakage current	Switch state is on, V <sub>D</sub> = ±10 V, V <sub>S</sub> = floating			-0.1	0.008	0.1	nA
		T <sub>A</sub> = -40°C to +85°C			-0.5		0.5	
		T <sub>A</sub> = -40°C to +125°C			-3.3		3.3	
I <sub>DL(ON)</sub>	Differential on-leakage current	Switch state is on, V <sub>DA</sub> = V <sub>DB</sub> = ±10 V, V <sub>S</sub> = floating			-15	3	15	pA
		T <sub>A</sub> = -40°C to +85°C			-100		100	
		T <sub>A</sub> = -40°C to +125°C			-500		500	
<b>LOGIC INPUT</b>								
V <sub>IH</sub>	Logic voltage high			2			V	
V <sub>IL</sub>	Logic voltage low					0.8	V	

(1) When V<sub>S</sub> is positive, V<sub>D</sub> is negative, and vice versa.

**Electrical Characteristics: Dual Supply (continued)**

 at  $T_A = 25^\circ\text{C}$ ,  $V_{DD} = 15\text{ V}$ , and  $V_{SS} = -15\text{ V}$  (unless otherwise noted)

PARAMETER	TEST CONDITIONS	MIN	TYP	MAX	UNIT	
$I_D$ Input current				0.15	$\mu\text{A}$	
<b>SWITCH DYNAMICS<sup>(2)</sup></b>						
$t_{ON}$ Enable turn-on time	$V_S = \pm 10\text{ V}$ , $R_L = 300\ \Omega$ , $C_L = 35\text{ pF}$	$T_A = -40^\circ\text{C to } +85^\circ\text{C}$	88	136	ns	
		$T_A = -40^\circ\text{C to } +125^\circ\text{C}$		144		
				151		
$t_{OFF}$ Enable turn-off time	$V_S = \pm 10\text{ V}$ , $R_L = 300\ \Omega$ , $C_L = 35\text{ pF}$	$T_A = -40^\circ\text{C to } +85^\circ\text{C}$	63	75	ns	
		$T_A = -40^\circ\text{C to } +125^\circ\text{C}$		83		
				90		
$t_t$ Transition time	$V_S = 10\text{ V}$ , $R_L = 300\ \Omega$ , $C_L = 35\text{ pF}$	$T_A = -40^\circ\text{C to } +85^\circ\text{C}$	92	143	ns	
		$T_A = -40^\circ\text{C to } +125^\circ\text{C}$		151		
				157		
$t_{BBM}$ Break-before-make time delay	$V_S = 10\text{ V}$ , $R_L = 300\ \Omega$ , $C_L = 35\text{ pF}$ , $T_A = -40^\circ\text{C to } +125^\circ\text{C}$	30	54		ns	
$Q_J$ Charge injection	$C_L = 1\text{ nF}$ , $R_S = 0\ \Omega$	$V_S = 0\text{ V}$		0.3	pC	
		$V_S = -15\text{ V to } +15\text{ V}$		$\pm 0.6$		
Off-isolation	$R_L = 50\ \Omega$ , $V_S = 1\text{ V}_{RMS}$ , $f = 1\text{ MHz}$	Nonadjacent channel to D, DA, DB		-96	dB	
		Adjacent channel to D, DA, DB		-85		
Channel-to-channel crosstalk	$R_L = 50\ \Omega$ , $V_S = 1\text{ V}_{RMS}$ , $f = 1\text{ MHz}$	Nonadjacent channels		-96	dB	
		Adjacent channels		-88		
$C_{S(OFF)}$ Input off-capacitance	$f = 1\text{ MHz}$ , $V_S = 0\text{ V}$		2.4	2.9	pF	
$C_{D(OFF)}$ Output off-capacitance	$f = 1\text{ MHz}$ , $V_S = 0\text{ V}$	MUX36S08		7.5	8.4	pF
		MUX36D04		4.3	5	
$C_{S(ON)}$ , $C_{D(ON)}$ Output on-capacitance	$f = 1\text{ MHz}$ , $V_S = 0\text{ V}$	MUX36S08		9.4	10.6	pF
		MUX36D04		6.7	7.7	
<b>POWER SUPPLY</b>						
$V_{DD}$ supply current	All $V_A = 0\text{ V}$ or $3.3\text{ V}$ , $V_S = 0\text{ V}$ , $V_{EN} = 3.3\text{ V}$	$T_A = -40^\circ\text{C to } +85^\circ\text{C}$	45	59	$\mu\text{A}$	
		$T_A = -40^\circ\text{C to } +125^\circ\text{C}$		62		
				83		
$V_{SS}$ supply current	All $V_A = 0\text{ V}$ or $3.3\text{ V}$ , $V_S = 0\text{ V}$ , $V_{EN} = 3.3\text{ V}$	$T_A = -40^\circ\text{C to } +85^\circ\text{C}$	25	34	$\mu\text{A}$	
		$T_A = -40^\circ\text{C to } +125^\circ\text{C}$		37		
				57		

(2) Specified by design, not subject to production testing.



## 7.6 Electrical Characteristics: Single Supply

at  $T_A = 25^\circ\text{C}$ ,  $V_{DD} = 12\text{ V}$ , and  $V_{SS} = 0\text{ V}$  (unless otherwise noted)

PARAMETER		TEST CONDITIONS		MIN	TYP	MAX	UNIT
<b>ANALOG SWITCH</b>							
Analog signal range		$T_A = -40^\circ\text{C}$ to $+125^\circ\text{C}$		$V_{SS}$		$V_{DD}$	V
$R_{ON}$	On-resistance	$V_S = 10\text{ V}$ , $I_{CH} = 1\text{ mA}$		235	340		$\Omega$
			$T_A = -40^\circ\text{C}$ to $+85^\circ\text{C}$			390	
			$T_A = -40^\circ\text{C}$ to $+125^\circ\text{C}$			430	
$\Delta R_{ON}$	On-resistance match	$V_S = 10\text{ V}$ , $I_{CH} = 1\text{ mA}$		3.1	12		$\Omega$
			$T_A = -40^\circ\text{C}$ to $+85^\circ\text{C}$			19	
			$T_A = -40^\circ\text{C}$ to $+125^\circ\text{C}$			23	
On-resistance drift		$V_S = 10\text{ V}$			1.13		%/ $^\circ\text{C}$
$I_{S(OFF)}$	Input leakage current	Switch state is off, $V_S = 1\text{ V}$ and $V_D = 10\text{ V}$ , or $V_S = 10\text{ V}$ and $V_D = 1\text{ V}$ <sup>(1)</sup>		-0.04	0.001	0.04	nA
			$T_A = -40^\circ\text{C}$ to $+85^\circ\text{C}$			0.15	
			$T_A = -40^\circ\text{C}$ to $+125^\circ\text{C}$			1.9	
$I_{D(OFF)}$	Output off leakage current	Switch state is off, $V_S = 1\text{ V}$ and $V_D = 10\text{ V}$ , or $V_S = 10\text{ V}$ and $V_D = 1\text{ V}$ <sup>(1)</sup>		-0.1	0.005	0.1	nA
			$T_A = -40^\circ\text{C}$ to $+85^\circ\text{C}$			0.5	
			$T_A = -40^\circ\text{C}$ to $+125^\circ\text{C}$			2	
$I_{D(ON)}$	Output on leakage current	Switch state is on, $V_D = 1\text{ V}$ and $10\text{ V}$ , $V_S = \text{floating}$		-0.1	0.008	0.1	nA
			$T_A = -40^\circ\text{C}$ to $+85^\circ\text{C}$			0.5	
			$T_A = -40^\circ\text{C}$ to $+125^\circ\text{C}$			3.3	
<b>LOGIC INPUT</b>							
$V_{IH}$	Logic voltage high			2.0			V
$V_{IL}$	Logic voltage low					0.8	V
$I_D$	Input current					0.15	$\mu\text{A}$
<b>SWITCH DYNAMIC CHARACTERISTICS<sup>(2)</sup></b>							
$t_{ON}$	Enable turn-on time	$V_S = 8\text{ V}$ , $R_L = 300\ \Omega$ , $C_L = 35\text{ pF}$			85	140	ns
			$T_A = -40^\circ\text{C}$ to $+85^\circ\text{C}$			145	
			$T_A = -40^\circ\text{C}$ to $+125^\circ\text{C}$			149	
$t_{OFF}$	Enable turn-off time	$V_S = 8\text{ V}$ , $R_L = 300\ \Omega$ , $C_L = 35\text{ pF}$			48	83	ns
			$T_A = -40^\circ\text{C}$ to $+85^\circ\text{C}$			94	
			$T_A = -40^\circ\text{C}$ to $+125^\circ\text{C}$			102	
$t_t$	Transition time	$V_S = 8\text{ V}$ , $C_L = 35\text{ pF}$			87	147	ns
		$V_S = 8\text{ V}$ , $R_L = 300\ \Omega$ , $C_L = 35\text{ pF}$	$T_A = -40^\circ\text{C}$ to $+85^\circ\text{C}$			153	
		$V_S = 8\text{ V}$ , $R_L = 300\ \Omega$ , $C_L = 35\text{ pF}$	$T_A = -40^\circ\text{C}$ to $+125^\circ\text{C}$			155	
$t_{BBM}$	Break-before-make time delay	$V_S = 8\text{ V}$ , $R_L = 300\ \Omega$ , $C_L = 35\text{ pF}$ , $T_A = -40^\circ\text{C}$ to $+125^\circ\text{C}$		30	54		ns
$Q_J$	Charge injection	$C_L = 1\text{ nF}$ , $R_S = 0\ \Omega$	$V_S = 6\text{ V}$		0.15		pC
			$V_S = 0\text{ V}$ to $12\text{ V}$ ,			$\pm 0.4$	
	Off-isolation	$R_L = 50\ \Omega$ , $V_S = 1\text{ V}_{RMS}$ , $f = 1\text{ MHz}$	Nonadjacent channel to D, DA, DB		-96		dB
			Adjacent channel to D, DA, DB			-85	
	Channel-to-channel crosstalk	$R_L = 50\ \Omega$ , $V_S = 1\text{ V}_{RMS}$ , $f = 1\text{ MHz}$	Nonadjacent channels		-96		dB
			Adjacent channels			-88	
$C_{S(OFF)}$	Input off-capacitance	$f = 1\text{ MHz}$ , $V_S = 6\text{ V}$			2.7	3.2	pF
$C_{D(OFF)}$	Output off-capacitance	$f = 1\text{ MHz}$ , $V_S = 6\text{ V}$	MUX36S08		9.1	10	pF
			MUX36D04		5	5.7	
$C_{S(ON)}$ , $C_{D(ON)}$	Output on-capacitance	$f = 1\text{ MHz}$ , $V_S = 6\text{ V}$	MUX36S08		10.8	12	pF
			MUX36D04		6.9	8	

(1) When  $V_S$  is 1 V,  $V_D$  is 10 V, and vice versa.

(2) Specified by design; not subject to production testing.

**Electrical Characteristics: Single Supply (continued)**

 at  $T_A = 25^\circ\text{C}$ ,  $V_{DD} = 12\text{ V}$ , and  $V_{SS} = 0\text{ V}$  (unless otherwise noted)

PARAMETER	TEST CONDITIONS	MIN	TYP	MAX	UNIT
<b>POWER SUPPLY</b>					
$V_{DD}$ supply current	All $V_A = 0\text{ V}$ or $3.3\text{ V}$ , $V_S = 0\text{ V}$ , $V_{EN} = 3.3\text{ V}$		42	53	$\mu\text{A}$
		$T_A = -40^\circ\text{C}$ to $+85^\circ\text{C}$		56	
		$T_A = -40^\circ\text{C}$ to $+125^\circ\text{C}$		77	
$V_{SS}$ supply current	All $V_A = 0\text{ V}$ or $3.3\text{ V}$ , $V_S = 0\text{ V}$ , $V_{EN} = 3.3\text{ V}$		23	31	$\mu\text{A}$
		$T_A = -40^\circ\text{C}$ to $+85^\circ\text{C}$		38	
		$T_A = -40^\circ\text{C}$ to $+125^\circ\text{C}$		51	

### 7.7 Typical Characteristics

at  $T_A = 25^\circ\text{C}$ ,  $V_{DD} = 15\text{ V}$ , and  $V_{SS} = -15\text{ V}$  (unless otherwise noted)

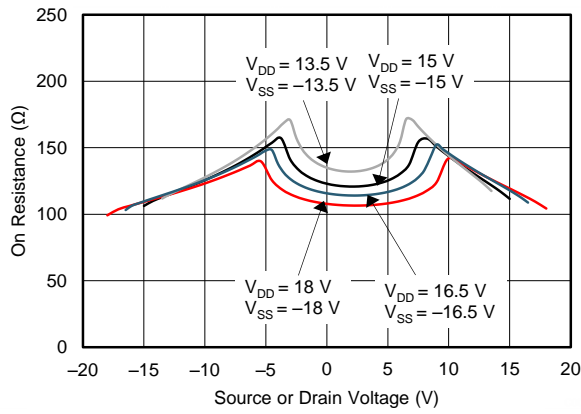


图 1. On-Resistance vs Source or Drain Voltage

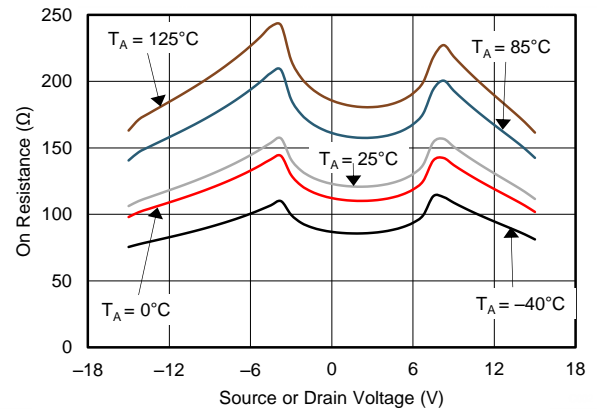


图 2. On-Resistance vs Source or Drain Voltage

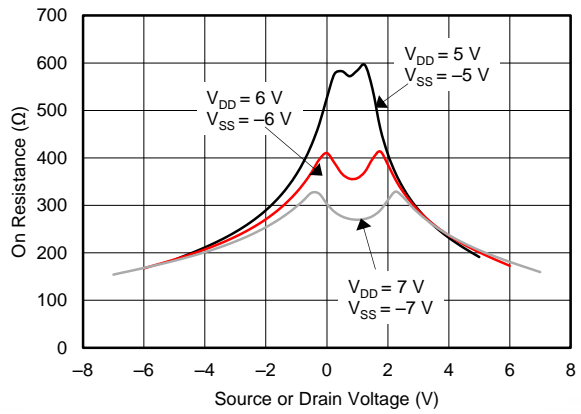


图 3. On-Resistance vs Source or Drain Voltage

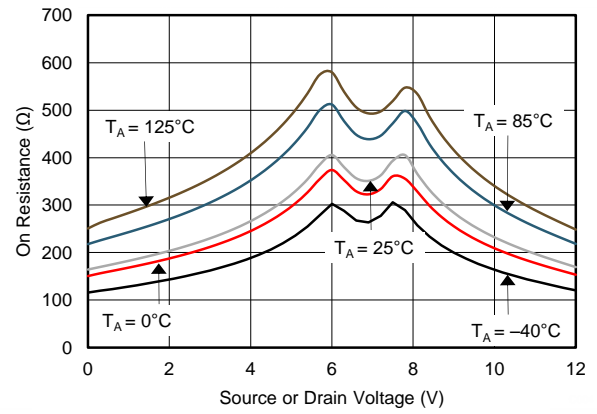


图 4. On-Resistance vs Source or Drain Voltage

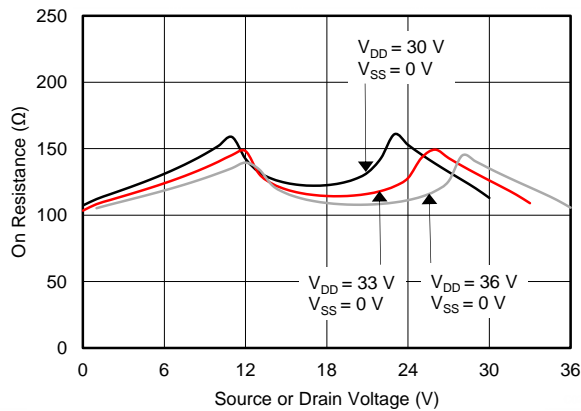


图 5. On-Resistance vs Source or Drain Voltage

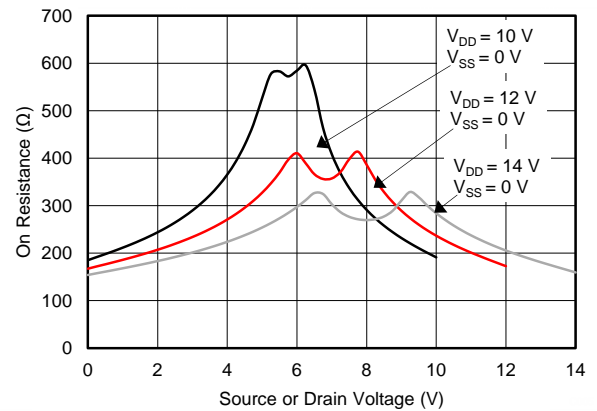
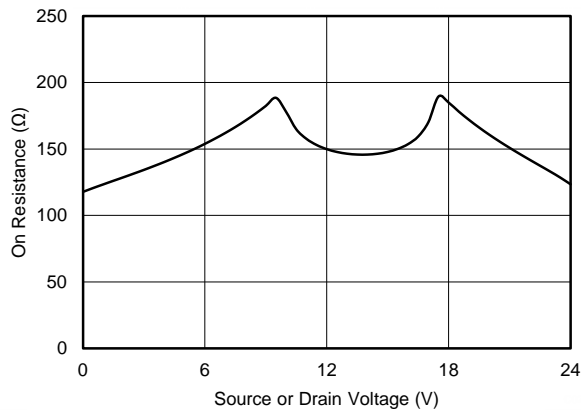


图 6. On-Resistance vs Source or Drain Voltage

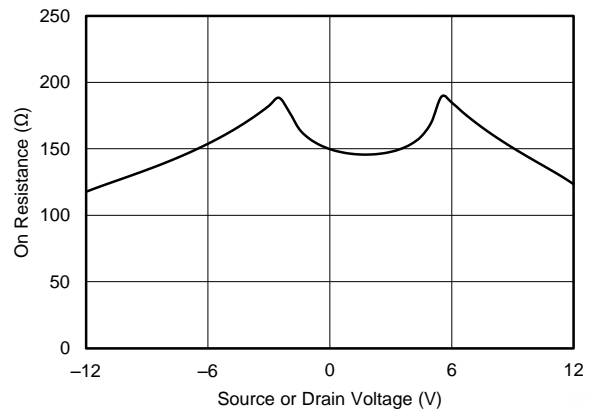
Typical Characteristics (接下页)

at  $T_A = 25^\circ\text{C}$ ,  $V_{DD} = 15\text{ V}$ , and  $V_{SS} = -15\text{ V}$  (unless otherwise noted)



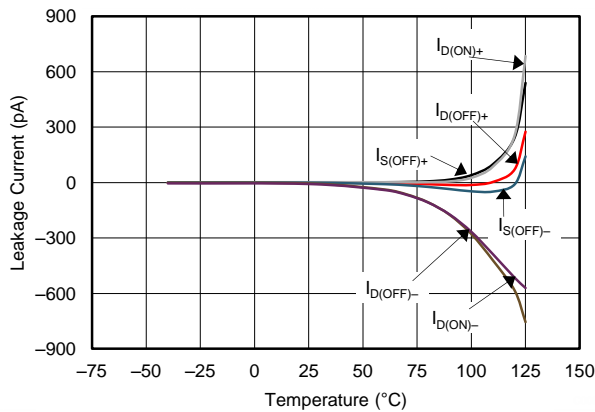
$V_{DD} = 24\text{ V}$ ,  $V_{SS} = 0\text{ V}$

图 7. On-Resistance vs Source or Drain Voltage



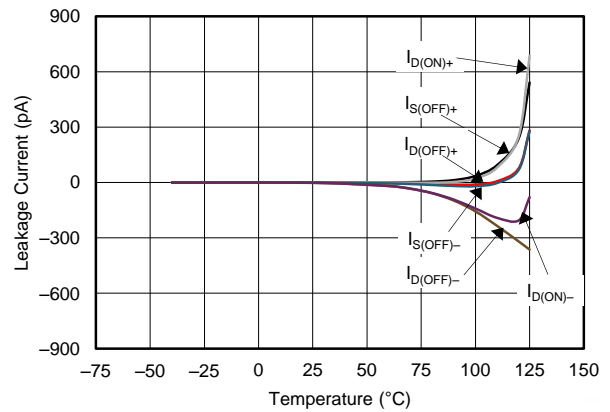
$V_{DD} = 12\text{ V}$ ,  $V_{SS} = -12\text{ V}$

图 8. On-Resistance vs Source or Drain Voltage



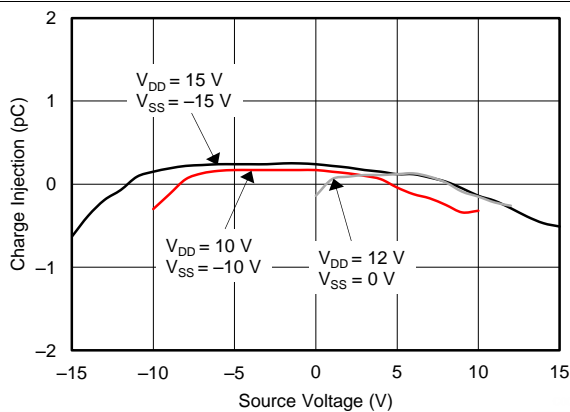
$V_{DD} = 15\text{ V}$ ,  $V_{SS} = -15\text{ V}$

图 9. Leakage Current vs Temperature



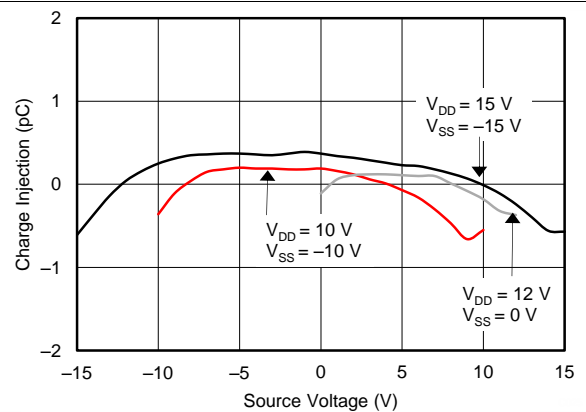
$V_{DD} = 12\text{ V}$ ,  $V_{SS} = 0\text{ V}$

图 10. Leakage Current vs Temperature



MUX36S08, source-to-drain

图 11. Charge Injection vs Source Voltage

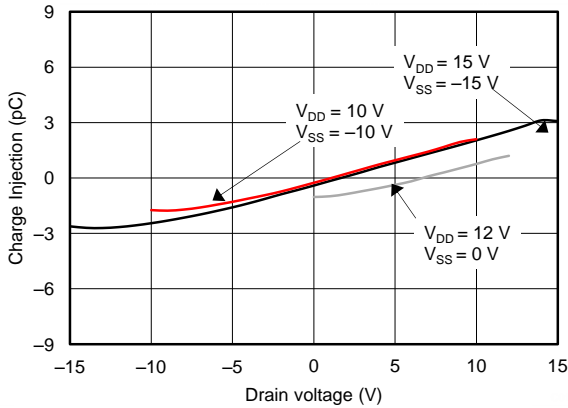


MUX36D04, source-to-drain

图 12. Charge Injection vs Source Voltage

Typical Characteristics (接下页)

at  $T_A = 25^\circ\text{C}$ ,  $V_{DD} = 15\text{ V}$ , and  $V_{SS} = -15\text{ V}$  (unless otherwise noted)



Drain-to-source

图 13. Charge Injection vs Source or Drain Voltage

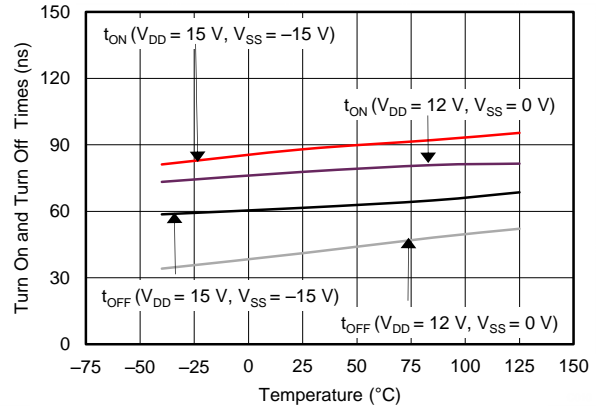


图 14. Turn-On and Turn-Off Times vs Temperature

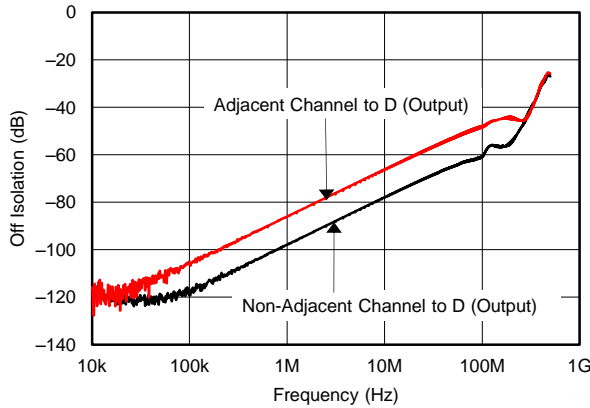


图 15. Off Isolation vs Frequency

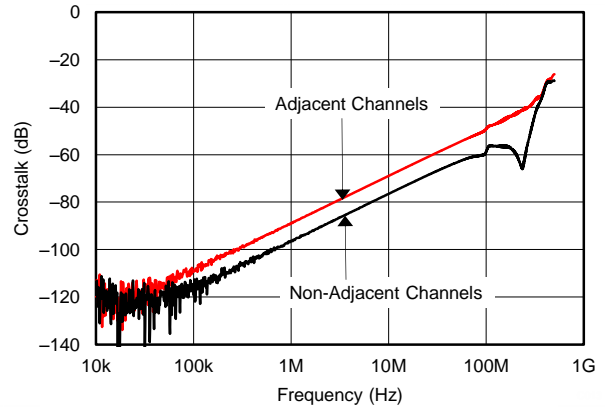


图 16. Crosstalk vs Frequency

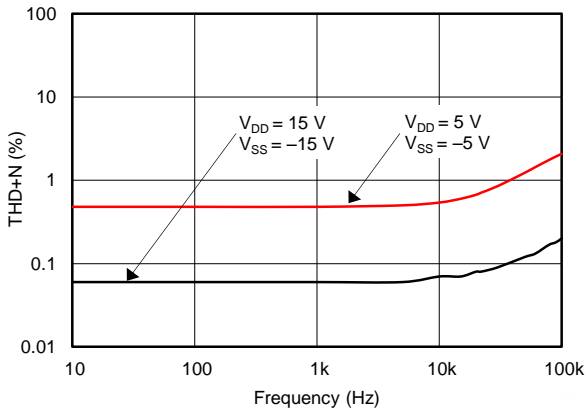


图 17. THD+N vs Frequency

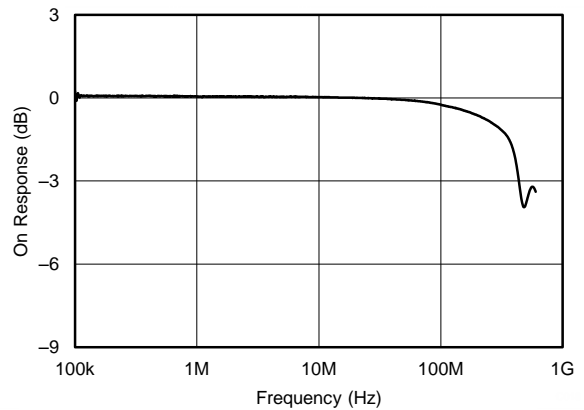
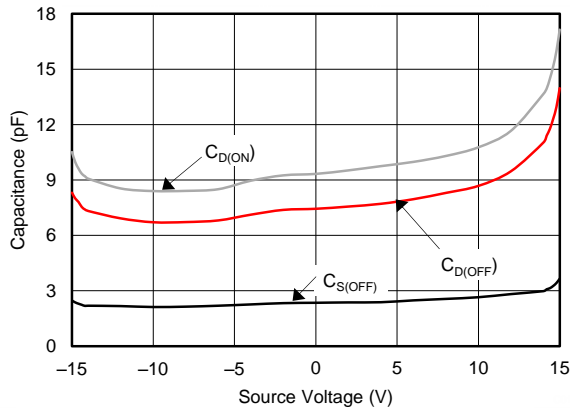


图 18. On Response vs Frequency

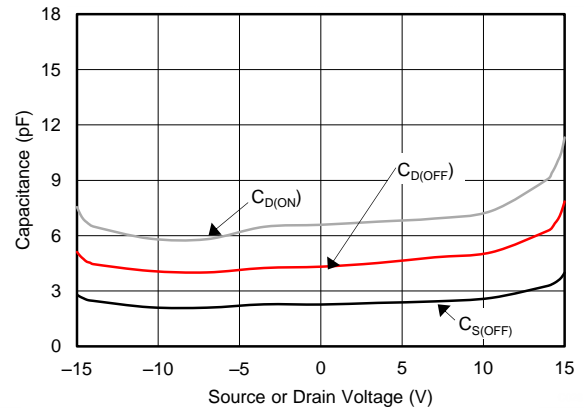
Typical Characteristics (接下页)

at  $T_A = 25^\circ\text{C}$ ,  $V_{DD} = 15\text{ V}$ , and  $V_{SS} = -15\text{ V}$  (unless otherwise noted)



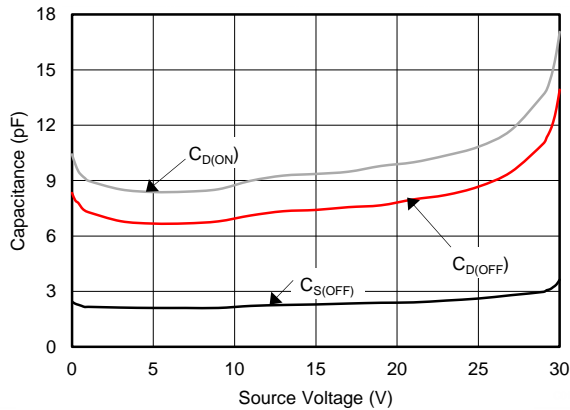
MUX36S08,  $V_{DD} = 15\text{ V}$ ,  $V_{SS} = -15\text{ V}$

图 19. Capacitance vs Source Voltage



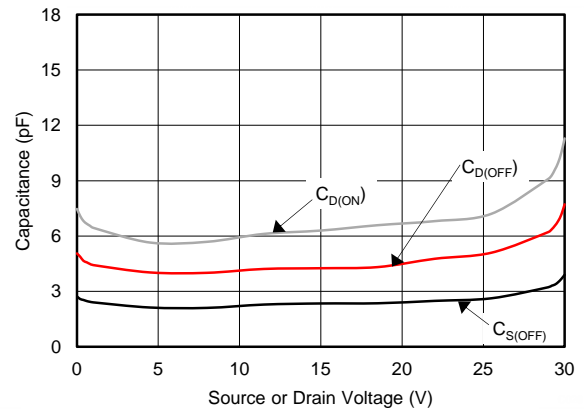
MUX36D04,  $V_{DD} = 15\text{ V}$ ,  $V_{SS} = -15\text{ V}$

图 20. Capacitance vs Source Voltage



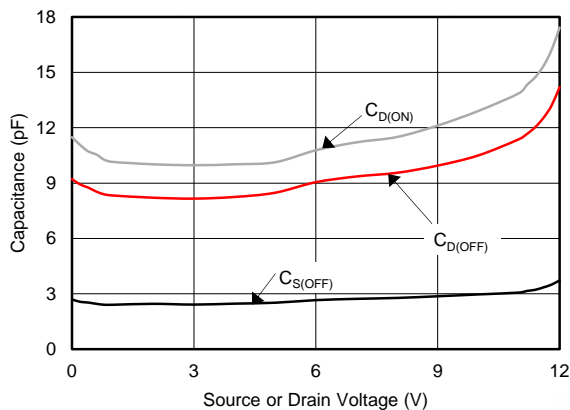
MUX36S08,  $V_{DD} = 30\text{ V}$ ,  $V_{SS} = 0\text{ V}$

图 21. Capacitance vs Source Voltage



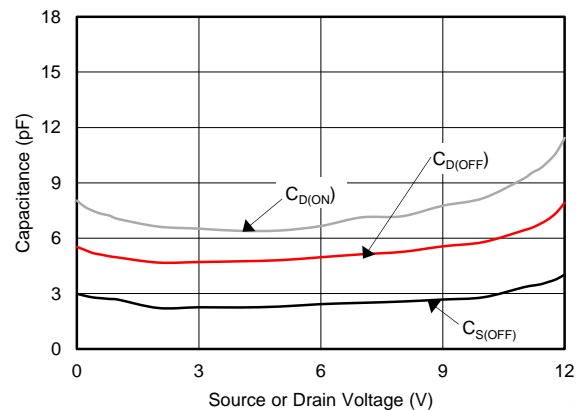
MUX36D04,  $V_{DD} = 30\text{ V}$ ,  $V_{SS} = 0\text{ V}$

图 22. Capacitance vs Source Voltage



MUX36S08,  $V_{DD} = 12\text{ V}$ ,  $V_{SS} = 0\text{ V}$

图 23. Capacitance vs Source Voltage



MUX36D04,  $V_{DD} = 12\text{ V}$ ,  $V_{SS} = 0\text{ V}$

图 24. Capacitance vs Source Voltage

## Typical Characteristics (接下页)

at  $T_A = 25^\circ\text{C}$ ,  $V_{DD} = 15\text{ V}$ , and  $V_{SS} = -15\text{ V}$  (unless otherwise noted)

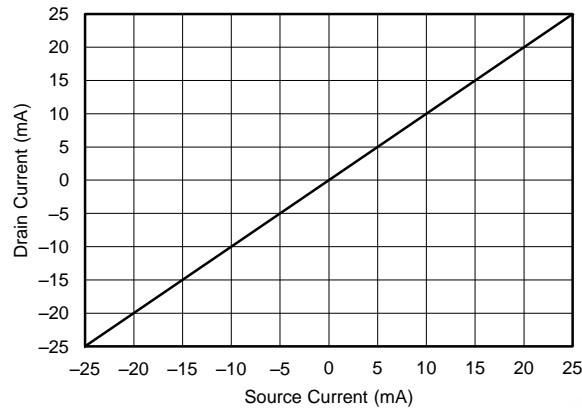


图 25. Source Current vs Drain Current

## 8 Parameter Measurement Information

### 8.1 Truth Tables

表 1 和 表 2 show the truth tables for the MUX36S08 and MUX36D04, respectively.

表 1. MUX36S08 Truth Table

EN	A2	A1	A0	STATE
0	X <sup>(1)</sup>	X <sup>(1)</sup>	X <sup>(1)</sup>	All channels are off
1	0	0	0	Channel 1
1	0	0	1	Channel 2
1	0	1	0	Channel 3
1	0	1	1	Channel 4
1	1	0	0	Channel 5
1	1	0	1	Channel 6
1	1	1	0	Channel 7
1	1	1	1	Channel 8

(1) X denotes *don't care*..

表 2. MUX36D04 Truth Table

EN	A1	A0	STATE
0	X <sup>(1)</sup>	X <sup>(1)</sup>	All channels are off
1	0	0	Channels 1A and 1B
1	0	1	Channels 2A and 2B
1	1	0	Channels 3A and 3B
1	1	1	Channels 4A and 4B

(1) X denotes *don't care*..

## 8.2 On-Resistance

The on-resistance of the MUX36xxx is the ohmic resistance across the source (Sx, SxA, or SxB) and drain (D, DA, or DB) pins of the device. The on-resistance varies with input voltage and supply voltage. The symbol  $R_{ON}$  is used to denote on-resistance. The measurement setup used to measure  $R_{ON}$  is shown in 图 26. Voltage (V) and current ( $I_{CH}$ ) are measured using this setup, and  $R_{ON}$  is computed as shown in 公式 1:

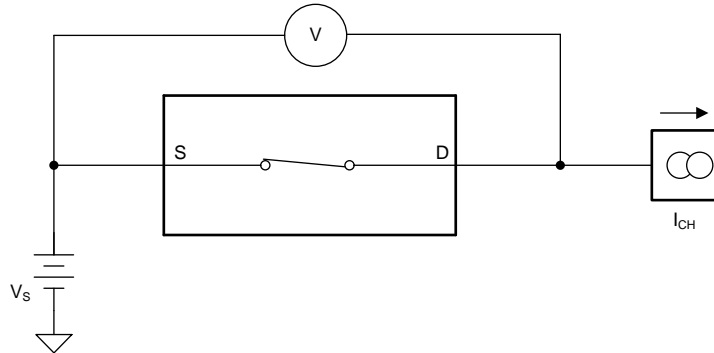


图 26. On-Resistance Measurement Setup

$$R_{ON} = V / I_{CH} \tag{1}$$

## 8.3 Off-Leakage Current

There are two types of leakage currents associated with a switch during the off state:

1. Source off-leakage current
2. Drain off-leakage current

Source leakage current is defined as the leakage current flowing into or out of the source pin when the switch is off. This current is denoted by the symbol  $I_{S(OFF)}$ .

Drain leakage current is defined as the leakage current flowing into or out of the drain pin when the switch is off. This current is denoted by the symbol  $I_{D(OFF)}$ .

The setup used to measure both off-leakage currents is shown in 图 27

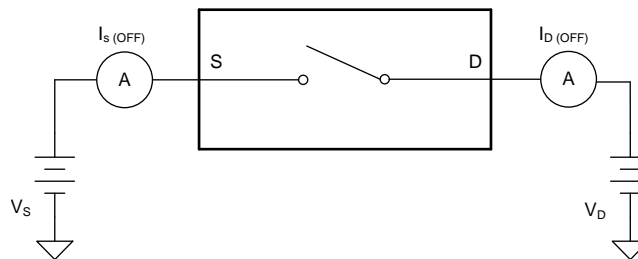


图 27. Off-Leakage Measurement Setup



### 8.4 On-Leakage Current

On-leakage current is defined as the leakage current that flows into or out of the drain pin when the switch is in the on state. The source pin is left floating during the measurement. 图 28 shows the circuit used for measuring the on-leakage current, denoted by  $I_{D(ON)}$ .

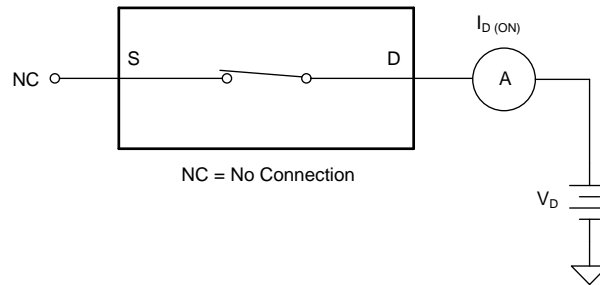


图 28. On-Leakage Measurement Setup

### 8.5 Differential On-Leakage Current

In case of a differential signal, the on-leakage current is defined as the differential leakage current that flows into or out of the drain pins when the switches is in the on state. The source pins are left floating during the measurement. 图 29 shows the circuit used for measuring the on-leakage current on each signal path, denoted by  $I_{DA(ON)}$  and  $I_{DB(ON)}$ . The absolute difference between these two current is defined as the differential on-leakage current  $I_{DL(ON)}$ .

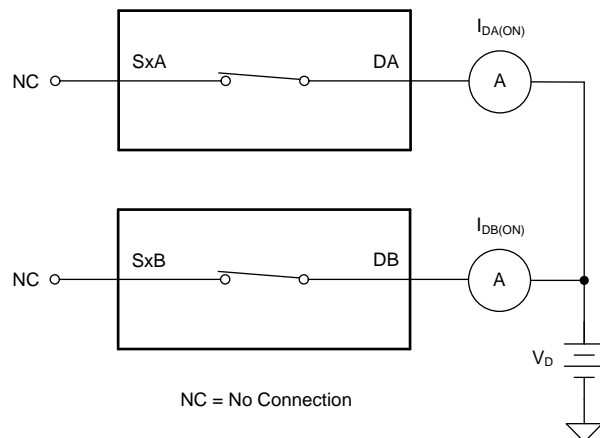


图 29. Differential On-Leakage Measurement Setup

## 8.6 Transition Time

Transition time is defined as the time taken by the output of the MUX36xxx to rise or fall to 90% of the transition after the digital address signal has fallen or risen to 50% of the transition. 图 30 shows the setup used to measure transition time, denoted by the symbol  $t_t$ .

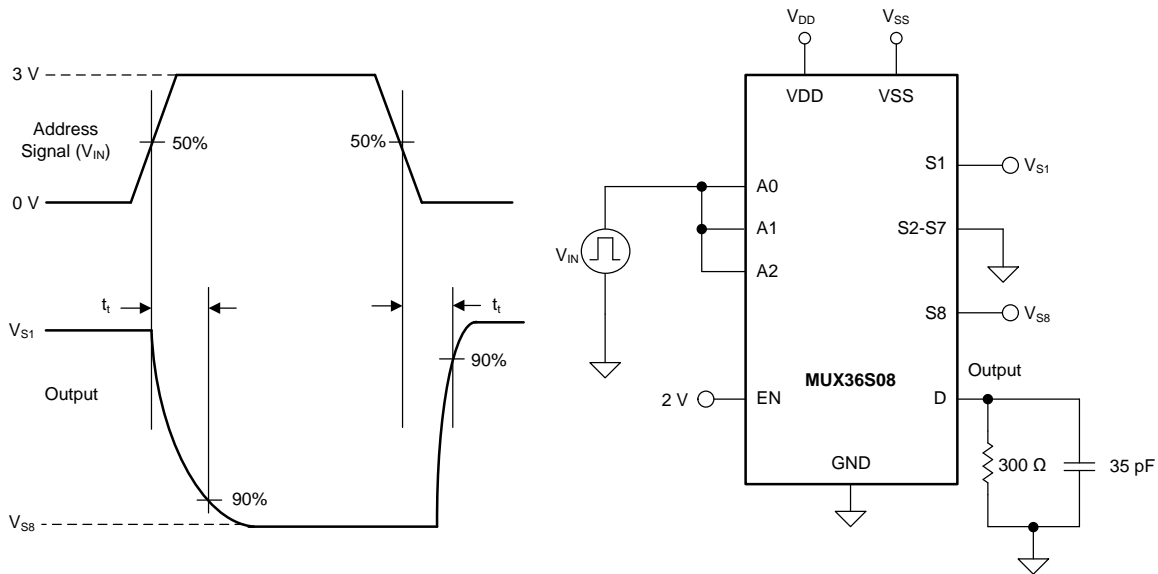


图 30. Transition-Time Measurement Setup

## 8.7 Break-Before-Make Delay

Break-before-make delay is a safety feature that prevents two inputs from connecting when the MUX36xxx is switching. The MUX36xxx output first breaks from the on-state switch before making the connection with the next on-state switch. The time delay between the *break* and the *make* is known as break-before-make delay. 图 31 shows the setup used to measure break-before-make delay, denoted by the symbol  $t_{BBM}$ .

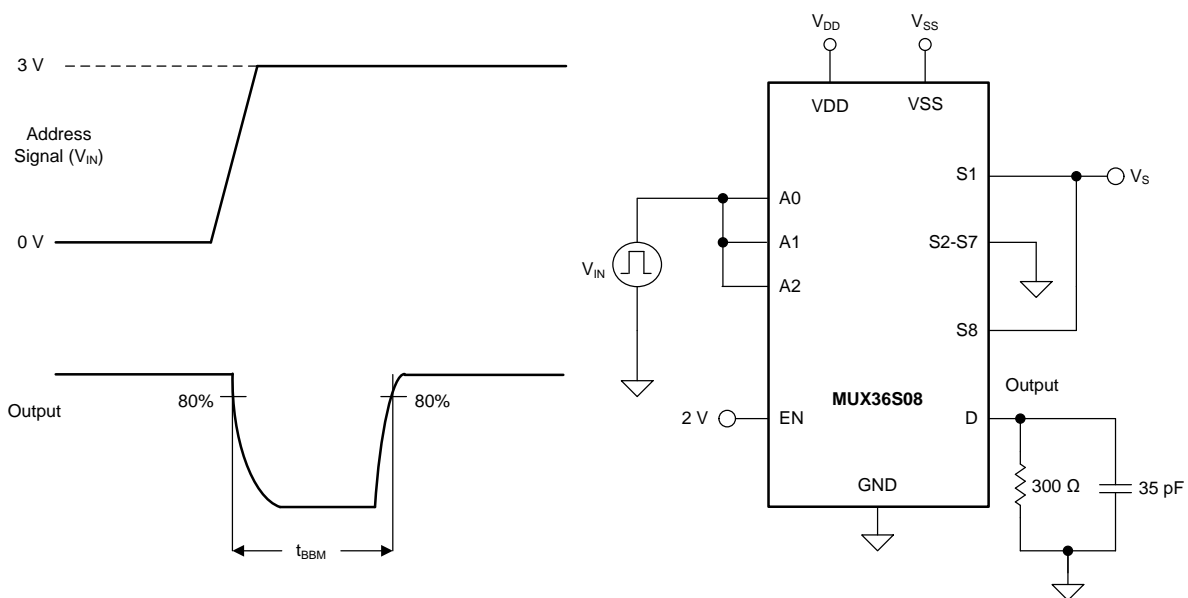


图 31. Break-Before-Make Delay Measurement Setup

## 8.8 Turn-On and Turn-Off Time

Turn-on time is defined as the time taken by the output of the MUX36xxx to rise to a 90% final value after the enable signal has risen to a 50% final value. 图 32 shows the setup used to measure turn-on time. Turn-on time is denoted by the symbol  $t_{ON}$ .

Turn off time is defined as the time taken by the output of the MUX36xxx to fall to a 10% initial value after the enable signal has fallen to a 50% initial value. 图 32 shows the setup used to measure turn-off time. Turn-off time is denoted by the symbol  $t_{OFF}$ .

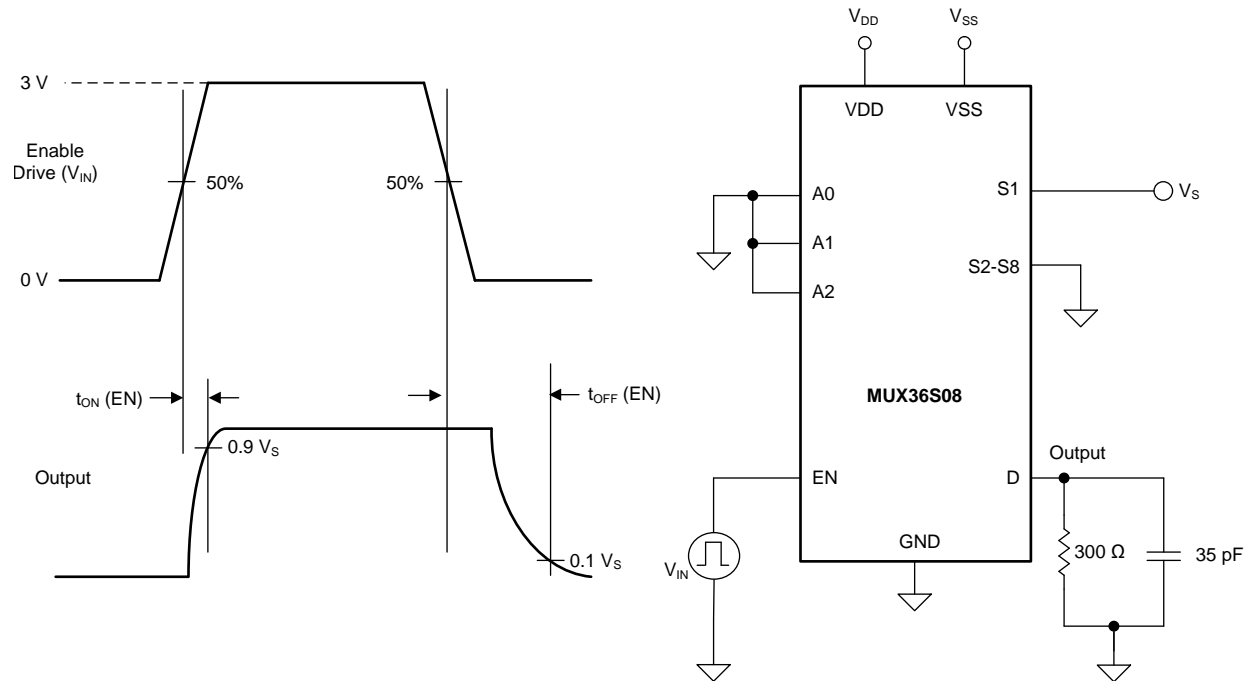


图 32. Turn-On and Turn-Off Time Measurement Setup

## 8.9 Charge Injection

The MUX36xxx have a simple transmission-gate topology. Any mismatch in capacitance between the NMOS and PMOS transistors results in a charge injected into the drain or source during the falling or rising edge of the gate signal. The amount of charge injected into the source or drain of the device is known as charge injection, and is denoted by the symbol  $Q_{INJ}$ . 图 33 shows the setup used to measure charge injection.

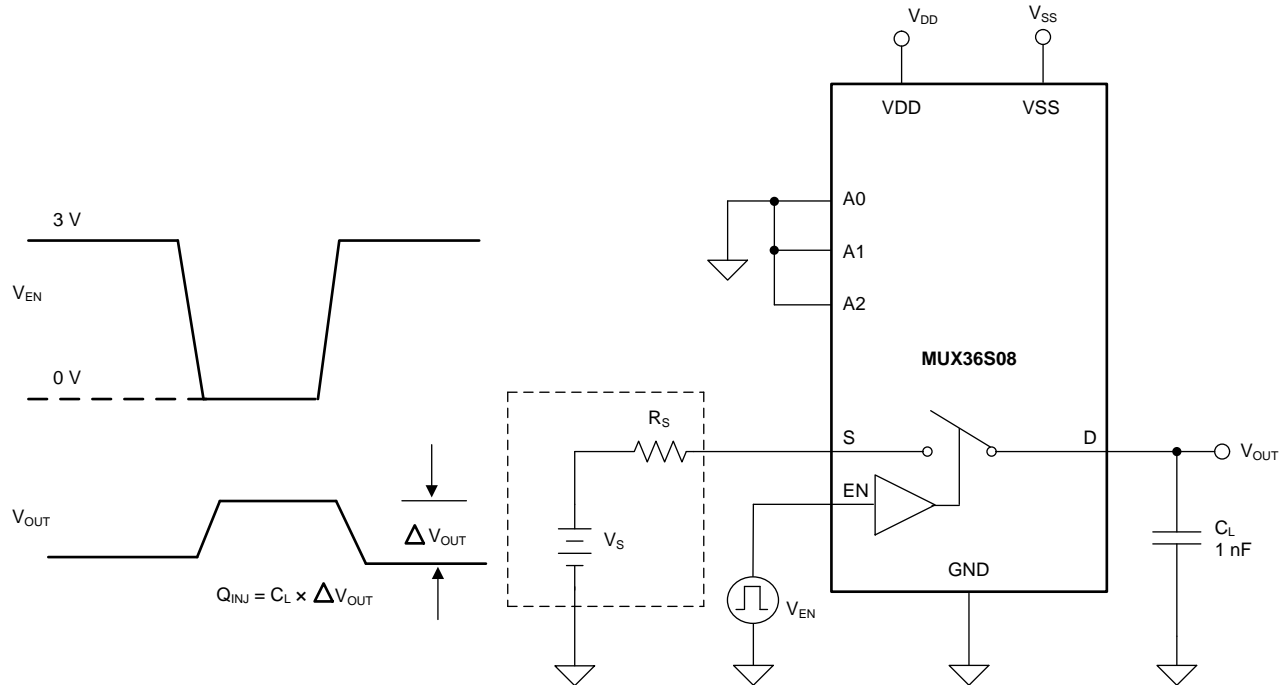


图 33. Charge-Injection Measurement Setup

### 8.10 Off Isolation

Off isolation is defined as the voltage at the drain pin (D, DA, or DB) of the MUX36xxx when a  $1\text{-}V_{\text{RMS}}$  signal is applied to the source pin (Sx, SxA, or SxB) of an off-channel. 图 34 shows the setup used to measure off isolation. Use 公式 2 to compute off isolation.

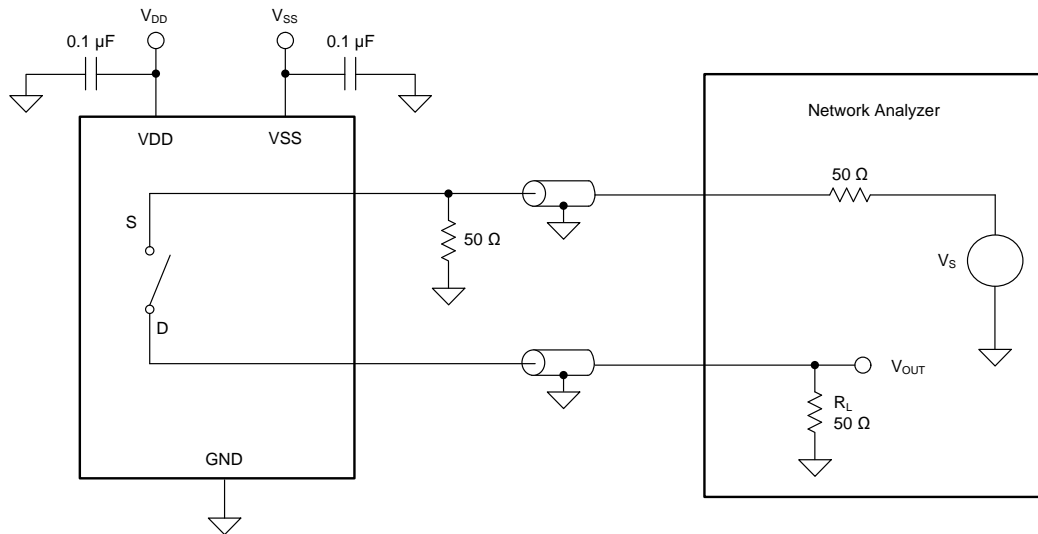


图 34. Off Isolation Measurement Setup

$$\text{Off Isolation} = 20 \cdot \text{Log} \left( \frac{V_{\text{OUT}}}{V_{\text{S}}} \right) \quad (2)$$

### 8.11 Channel-to-Channel Crosstalk

Channel-to-channel crosstalk is defined as the voltage at the source pin (Sx, SxA, or SxB) of an off-channel, when a  $1\text{-}V_{\text{RMS}}$  signal is applied at the source pin of an on-channel. 图 35 shows the setup used to measure, and 公式 3 is the equation used to compute, channel-to-channel crosstalk.

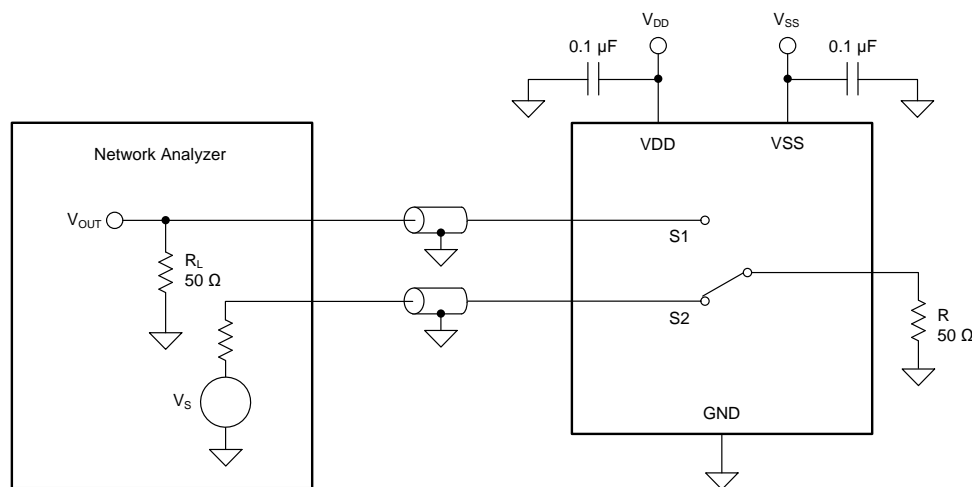


图 35. Channel-to-Channel Crosstalk Measurement Setup

$$\text{Channel-to-Channel Crosstalk} = 20 \cdot \text{Log} \left( \frac{V_{\text{OUT}}}{V_{\text{S}}} \right) \quad (3)$$

## 8.12 Bandwidth

Bandwidth is defined as the range of frequencies that are attenuated by < 3 dB when the input is applied to the source pin of an on-channel, and the output is measured at the drain pin of the MUX36xxx. 图 36 shows the setup used to measure bandwidth of the mux. Use 公式 4 to compute the attenuation.

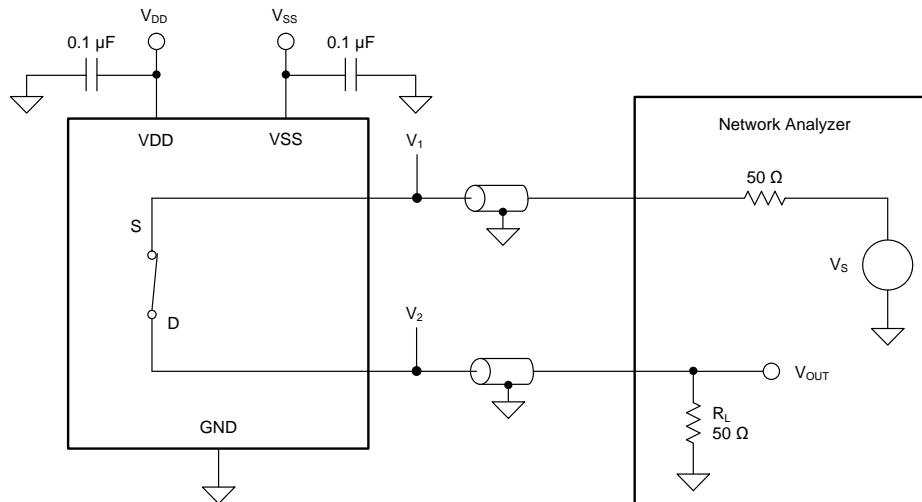


图 36. Bandwidth Measurement Setup

$$\text{Attenuation} = 20 \cdot \text{Log} \left( \frac{V_2}{V_1} \right) \quad (4)$$

## 8.13 THD + Noise

The total harmonic distortion (THD) of a signal is a measurement of the harmonic distortion, and is defined as the ratio of the sum of the powers of all harmonic components to the power of the fundamental frequency at the mux output. The on-resistance of the MUX36xxx varies with the amplitude of the input signal and results in distortion when the drain pin is connected to a low-impedance load. Total harmonic distortion plus noise is denoted as THD+N. 图 37 shows the setup used to measure THD+N of the MUX36xxx.

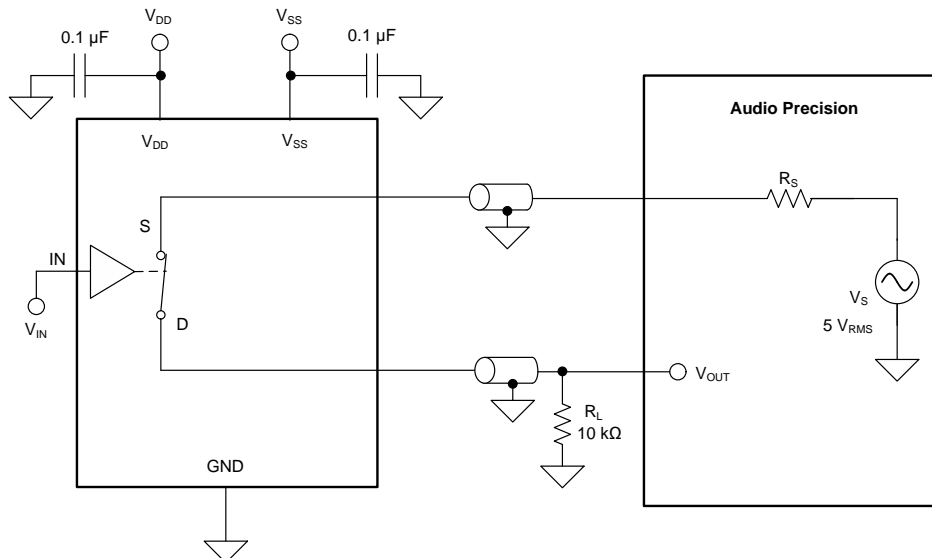


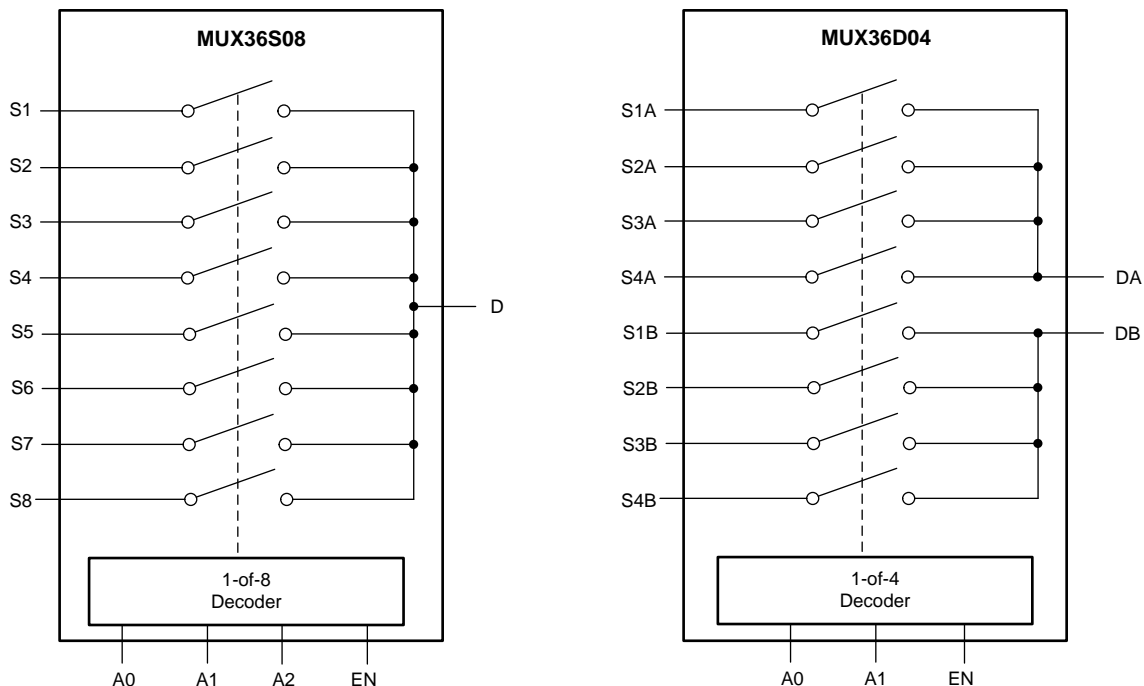
图 37. THD+N Measurement Setup

## 9 Detailed Description

### 9.1 Overview

The MUX36xxx are a family of analog multiplexers. The *Functional Block Diagram* section provides a top-level block diagram of both the MUX36S08 and MUX36D04. The MUX36S08 is an 8-channel, single-ended, analog mux. The MUX36D04 is a 4-channel, differential or dual 4:1, single-ended, analog mux. Each channel is turned on or turned off based on the state of the address lines and enable pin.

### 9.2 Functional Block Diagram



### 9.3 Feature Description

#### 9.3.1 Ultralow Leakage Current

The MUX36xxx provide extremely low on- and off-leakage currents. The MUX36xxx are capable of switching signals from high source-impedance inputs into a high input-impedance op amp with minimal offset error because of the ultralow leakage currents. 图 38 shows typical leakage currents of the MUX36xxx versus temperature.

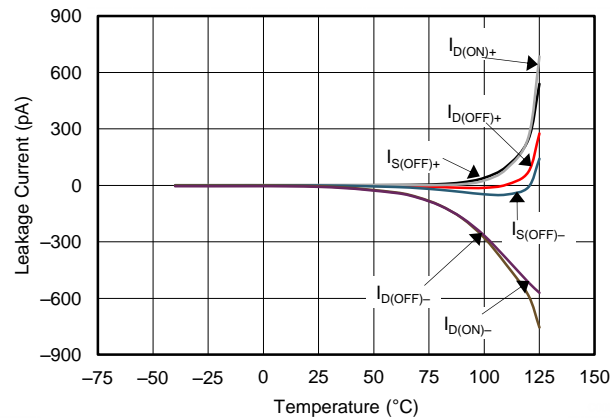


图 38. Leakage Current vs Temperature

#### 9.3.2 Ultralow Charge Injection

The MUX36xxx have a simple transmission gate topology, as shown in 图 39. Any mismatch in the stray capacitance associated with the NMOS and PMOS causes an output level change whenever the switch is opened or closed.

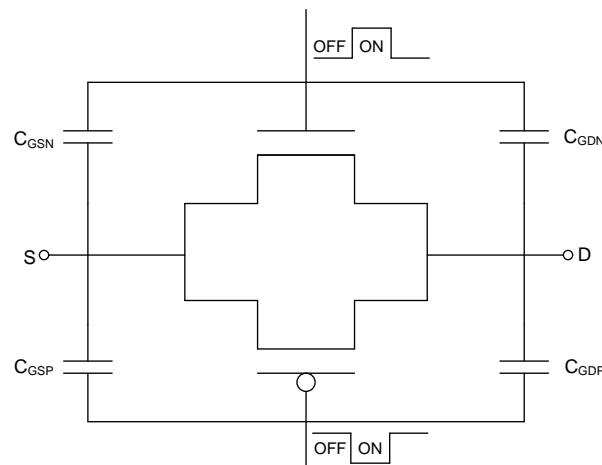


图 39. Transmission Gate Topology



## Feature Description (接下页)

The MUX36xxx have special charge-injection cancellation circuitry that reduces the source-to-drain charge injection to as low as 0.3 pC at  $V_S = 0$  V, and  $\pm 0.6$  pC in the full signal range, as shown in 图 40.

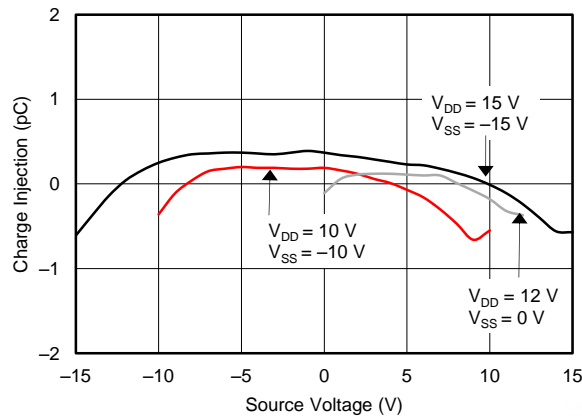


图 40. Source-to-Drain Charge Injection vs Source or Drain Voltage

The drain-to-source charge injection becomes important when the device is used as a demultiplexer (demux), where D becomes the input and  $S_x$  becomes the output. 图 41 shows the drain-to-source charge injection across the full signal range.

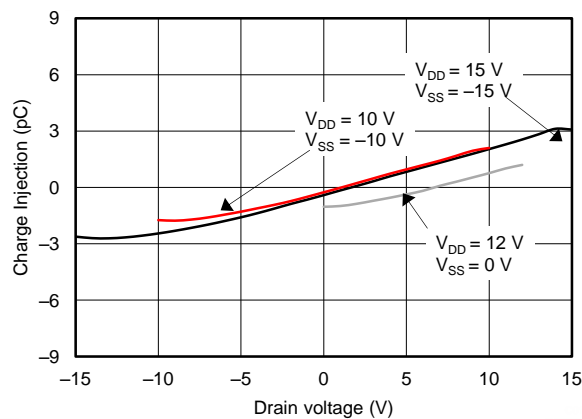


图 41. Drain-to-Source Charge Injection vs Source or Drain Voltage

### 9.3.3 Bidirectional Operation

The MUX36xxx are operable as both a mux and demux. The source ( $S_x$ ,  $S_{xA}$ ,  $S_{xB}$ ) and drain (D,  $DA$ ,  $DB$ ) pins of the MUX36xxx are used either as input or output. Each MUX36xxx channel has very similar characteristics in both directions.

## Feature Description (接下页)

### 9.3.4 Rail-to-Rail Operation

The valid analog signal for the MUX36xxx ranges from  $V_{SS}$  to  $V_{DD}$ . The input signal to the MUX36xxx swings from  $V_{SS}$  to  $V_{DD}$  without any significant degradation in performance. The on-resistance of the MUX36xxx varies with input signal, as shown in 图 42

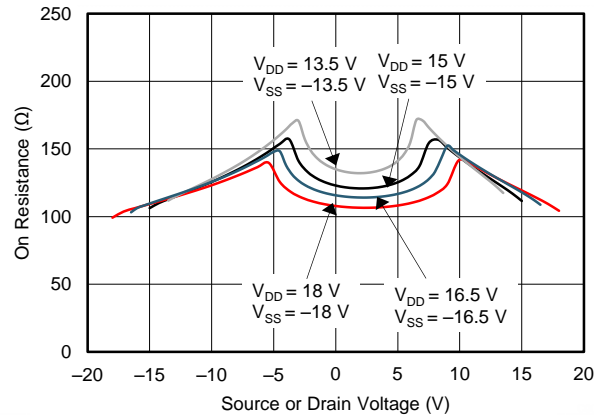


图 42. On-Resistance vs Source or Drain Voltage

## 9.4 Device Functional Modes

When the EN pin of the MUX36xxx is pulled high, one of the switches is closed based on the state of the address lines. When the EN pin is pulled low, all the switches are in an open state irrespective of the state of the address lines. The EN pin can be connected to  $V_{DD}$  (as high as 36 V).

## 10 Application and Implementation

### 注

Information in the following applications sections is not part of the TI component specification, and TI does not warrant its accuracy or completeness. TI's customers are responsible for determining suitability of components for their purposes. Customers should validate and test their design implementation to confirm system functionality.

### 10.1 Application Information

The MUX36xxx family offers outstanding input/output leakage currents and ultralow charge injection. These devices operate up to 36 V, and offer true rail-to-rail input and output. The on-capacitance of the MUX36xxx is very low. These features makes the MUX36xxx a family of precision, robust, high-performance analog multiplexer for high-voltage, industrial applications.

### 10.2 Typical Application

图 43 shows a 16-bit, differential, 4-channel, multiplexed, data-acquisition system. This example is typical in industrial applications that require low distortion and a high-voltage differential input. The circuit uses the ADS8864, a 16-bit, 400-kSPS successive-approximation-resistor (SAR) analog-to-digital converter (ADC), along with a precision, high-voltage, signal-conditioning front end, and a 4-channel differential mux. This TI Precision Design details the process for optimizing the precision, high-voltage, front-end drive circuit using the MUX36D04, OPA192 and OPA140 to achieve excellent dynamic performance and linearity with the ADS8864.

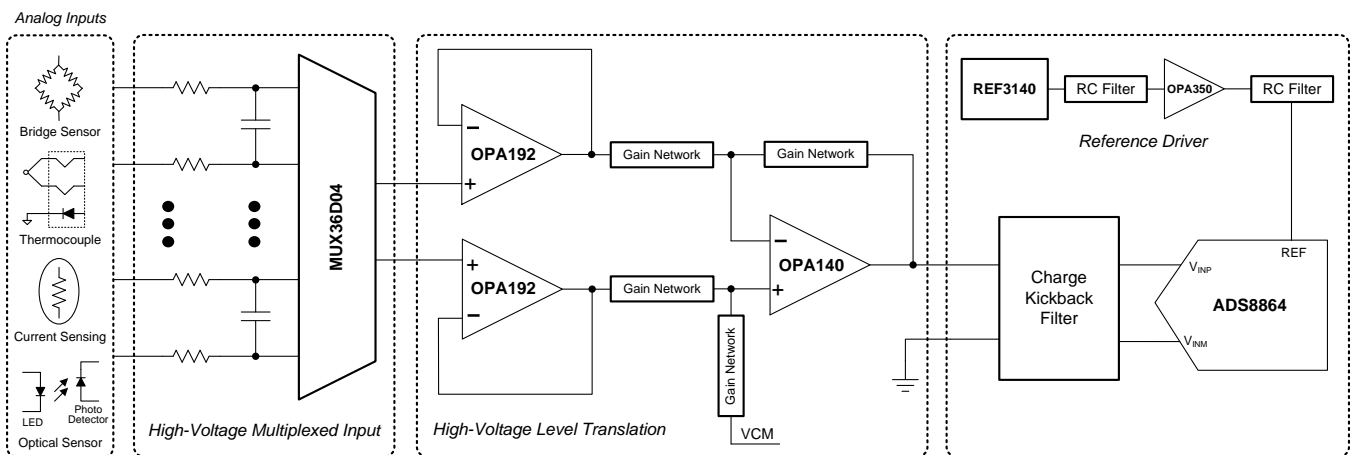


图 43. 16-Bit Precision Multiplexed Data-Acquisition System for High-Voltage Inputs With Lowest Distortion

## Typical Application (接下页)

### 10.2.1 Design Requirements

The primary objective is to design a  $\pm 20$  V, differential, 4-channel, multiplexed, data-acquisition system with lowest distortion using the 16-bit ADS8864 at a throughput of 400 kSPS for a 10-kHz, full-scale, pure, sine-wave input. The design requirements for this block design are:

- System supply voltage:  $\pm 15$  V
- ADC supply voltage: 3.3 V
- ADC sampling rate: 400 kSPS
- ADC reference voltage (REFP): 4.096 V
- System input signal: A high-voltage differential input signal with a peak amplitude of 20 V and frequency ( $f_{IN}$ ) of 10 kHz are applied to each differential input of the mux.

### 10.2.2 Detailed Design Procedure

The purpose of this precision design is to design an optimal, high-voltage, multiplexed, data-acquisition system for highest system linearity and fast settling. The overall system block diagram is illustrated in 图 43. The circuit is a multichannel, data-acquisition signal chain consisting of an input low-pass filter, mux, mux output buffer, attenuating SAR ADC driver, and the reference driver. The architecture allows fast sampling of multiple channels using a single ADC, providing a low-cost solution. This design systematically approaches each analog circuit block to achieve a 16-bit settling for a full-scale input stage voltage and linearity for a 10-kHz sinusoidal input signal at each input channel.



For step-by-step design procedure, circuit schematics, bill of materials, PCB files, simulation results, and test results, refer to [TI Precision Design TIPD151, 16-Bit, 400-kSPS, 4-Channel Multiplexed Data-Acquisition System for High-Voltage Inputs with Lowest Distortion.](#)

### 10.2.3 Application Curve

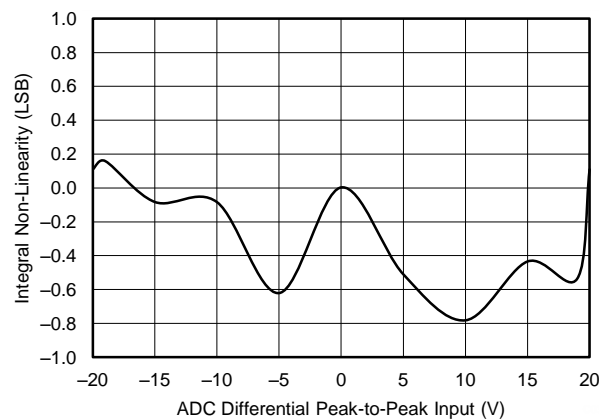


图 44. ADC 16-Bit Linearity Error for the Multiplexed Data-Acquisition Block

## 11 Power Supply Recommendations

The MUX36xxx operates across a wide supply range of  $\pm 5$  V to  $\pm 18$  V (10 V to 36 V in single-supply mode). They also perform well with unsymmetric supplies such as  $V_{DD} = 12$  V and  $V_{SS} = -5$  V. For reliable operation, use a supply decoupling capacitor ranging between 0.1  $\mu$ F to 10  $\mu$ F at both the VDD and VSS pins to ground.

The on-resistance of the MUX36xxx varies with supply voltage, as illustrated in [图 45](#)

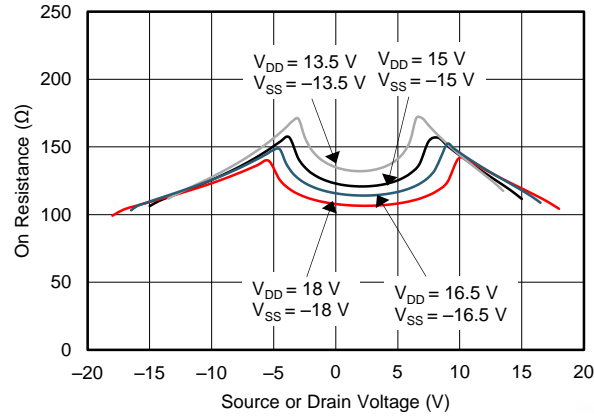


图 45. On-Resistance Variation With Supply and Input Voltage

## 12 Layout

### 12.1 Layout Guidelines

图 46 illustrates an example of a PCB layout with the MUX36S08IPW, and 图 47 illustrates an example of a PCB layout with MUX36D04IPW.

Some key considerations are:

1. Decouple the VDD and VSS pins with a 0.1- $\mu$ F capacitor, placed as close to the pin as possible. Make sure that the capacitor voltage rating is sufficient for the  $V_{DD}$  and  $V_{SS}$  supplies.
2. Keep the input lines as short as possible. In case of the differential signal, make sure the A inputs and B inputs are as symmetric as possible.
3. Use a solid ground plane to help distribute heat and reduce electromagnetic interference (EMI) noise pickup.
4. Do not run sensitive analog traces in parallel with digital traces. Avoid crossing digital and analog traces if possible, and only make perpendicular crossings when necessary.

### 12.2 Layout Example

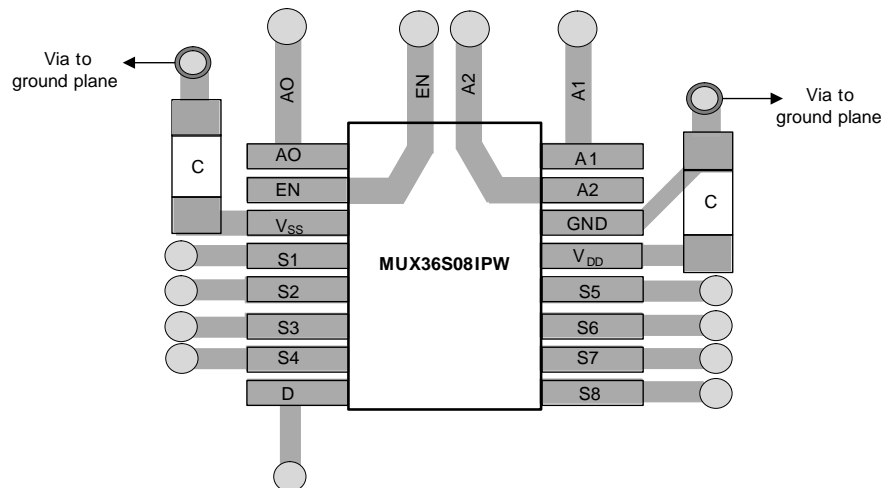


图 46. MUX36S08IPW Layout Example

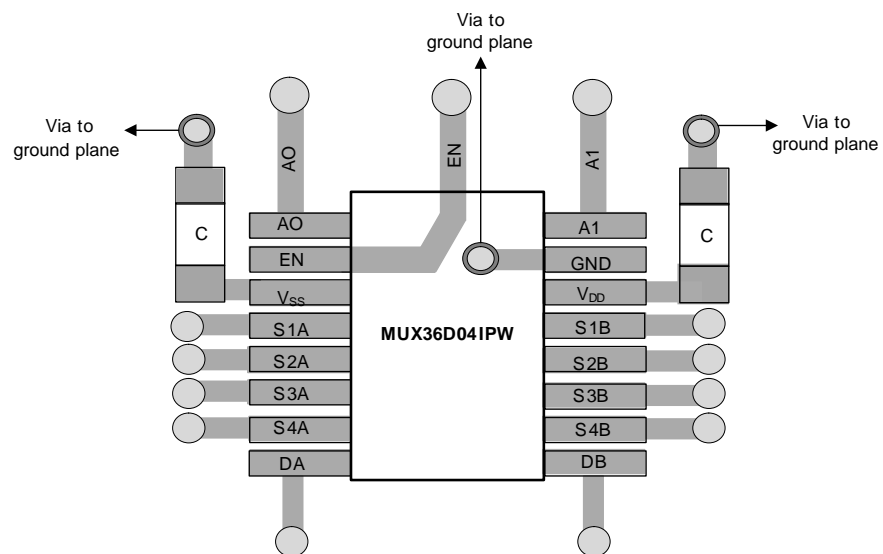


图 47. MUX36D04IPW Layout Example

## 13 器件和文档支持

### 13.1 文档支持

#### 13.1.1 相关文档

- 《支持双极输入范围的 [ADS8664 12 位、500kSPS、4 通道和 8 通道单电源 SAR ADC](#)》(SBAS492)
- 《[OPA140 高精度、低噪声、轨至轨输出、11MHz JFET 运算放大器](#)》(SBOS498)
- 《采用 [e-Trim™ 技术的 OPA192 36V、轨至轨输入/输出、低失调电压、低输入偏置电流运算放大器](#)》(SBOS620)

### 13.2 相关链接

**表 3** 列出了快速访问链接。类别包括技术文档、支持与社区资源、工具与软件，以及申请样片或购买产品的快速链接。

**表 3. 相关链接**

器件	产品文件夹	立即订购	技术文档	工具与软件	支持和社区
MUX36S08	<a href="#">单击此处</a>	<a href="#">单击此处</a>	<a href="#">单击此处</a>	<a href="#">单击此处</a>	<a href="#">单击此处</a>
MUX36D04	<a href="#">单击此处</a>	<a href="#">单击此处</a>	<a href="#">单击此处</a>	<a href="#">单击此处</a>	<a href="#">单击此处</a>

### 13.3 接收文档更新通知

要接收文档更新通知，请导航至 [TI.com.cn](http://TI.com.cn) 上的器件产品文件夹。单击右上角的 [通知我](#) 进行注册，即可每周接收产品信息更改摘要。有关更改的详细信息，请查看任何已修订文档中包含的修订历史记录。

### 13.4 社区资源

下列链接提供到 TI 社区资源的连接。链接的内容由各个分销商“按照原样”提供。这些内容并不构成 TI 技术规范，并且不一定反映 TI 的观点；请参阅 TI 的 [《使用条款》](#)。

**TI E2E™ Online Community *TI's Engineer-to-Engineer (E2E) Community***. Created to foster collaboration among engineers. At [e2e.ti.com](http://e2e.ti.com), you can ask questions, share knowledge, explore ideas and help solve problems with fellow engineers.

**Design Support *TI's Design Support*** Quickly find helpful E2E forums along with design support tools and contact information for technical support.

### 13.5 商标

E2E is a trademark of Texas Instruments.

All other trademarks are the property of their respective owners.

### 13.6 静电放电警告



ESD 可能会损坏该集成电路。德州仪器 (TI) 建议通过适当的预防措施处理所有集成电路。如果不遵守正确的处理措施和安装程序，可能会损坏集成电路。

ESD 的损坏小至导致微小的性能降级，大至整个器件故障。精密的集成电路可能更容易受到损坏，这是因为非常细微的参数更改都可能会导致器件与其发布的规格不相符。

### 13.7 术语表

**SLYZ022** — *TI 术语表*。

这份术语表列出并解释术语、缩写和定义。

## 14 机械、封装和可订购信息

以下页面包含机械、封装和可订购信息。这些信息是指定器件的最新可用数据。数据如有变更，恕不另行通知，且不会对此文档进行修订。如需获取此数据表的浏览器版本，请查阅左侧的导航栏。

## 重要声明和免责声明

TI 均以“原样”提供技术性数据（包括数据表）、设计资源（包括参考设计）、应用或其他设计建议、网络工具、安全信息和其他资源，不保证其中不含任何瑕疵，且不做任何明示或暗示的担保，包括但不限于对适销性、适合某特定用途或不侵犯任何第三方知识产权的暗示担保。

所述资源可供专业开发人员应用TI 产品进行设计使用。您将对以下行为独自承担全部责任：(1) 针对您的应用选择合适的TI 产品；(2) 设计、验证并测试您的应用；(3) 确保您的应用满足相应标准以及任何其他安全、安保或其他要求。所述资源如有变更，恕不另行通知。TI 对您使用所述资源的授权仅限于开发资源所涉及TI 产品的相关应用。除此之外不得复制或展示所述资源，也不提供其它TI 或任何第三方的知识产权授权许可。如因使用所述资源而产生任何索赔、赔偿、成本、损失及债务等，TI 对此概不负责，并且您须赔偿由此对TI 及其代表造成的损害。

TI 所提供产品均受TI 的销售条款 (<http://www.ti.com.cn/zh-cn/legal/termsofsale.html>) 以及ti.com.cn上或随附TI产品提供的其他可适用条款的约束。TI提供所述资源并不扩展或以其他方式更改TI 针对TI 产品所发布的可适用的担保范围或担保免责声明。

邮寄地址：上海市浦东新区世纪大道 1568 号中建大厦 32 楼，邮政编码：200122  
Copyright © 2019 德州仪器半导体技术（上海）有限公司



**PACKAGING INFORMATION**

Orderable Device	Status (1)	Package Type	Package Drawing	Pins	Package Qty	Eco Plan (2)	Lead/Ball Finish (6)	MSL Peak Temp (3)	Op Temp (°C)	Device Marking (4/5)	Samples
MUX36D04IPW	ACTIVE	TSSOP	PW	16	90	Green (RoHS & no Sb/Br)	NIPDAU	Level-2-260C-1 YEAR	-40 to 125	MUXD04C	<a href="#">Samples</a>
MUX36D04IPWR	ACTIVE	TSSOP	PW	16	2000	Green (RoHS & no Sb/Br)	NIPDAU	Level-2-260C-1 YEAR	-40 to 125	MUXD04C	<a href="#">Samples</a>
MUX36D04IRRJR	ACTIVE	WQFN	RRJ	16	3000	Green (RoHS & no Sb/Br)	NIPDAU	Level-2-260C-1 YEAR	-40 to 125	MUX 36D04	<a href="#">Samples</a>
MUX36D04IRUMR	ACTIVE	WQFN	RUM	16	3000	Green (RoHS & no Sb/Br)	NIPDAU	Level-2-260C-1 YEAR	-40 to 125	MUX 36D04	<a href="#">Samples</a>
MUX36S08IPW	ACTIVE	TSSOP	PW	16	90	Green (RoHS & no Sb/Br)	NIPDAU	Level-2-260C-1 YEAR	-40 to 125	MUXS08B	<a href="#">Samples</a>
MUX36S08IPWR	ACTIVE	TSSOP	PW	16	2000	Green (RoHS & no Sb/Br)	NIPDAU	Level-2-260C-1 YEAR	-40 to 125	MUXS08B	<a href="#">Samples</a>
MUX36S08IRRJR	ACTIVE	WQFN	RRJ	16	3000	Green (RoHS & no Sb/Br)	NIPDAU	Level-2-260C-1 YEAR	-40 to 125	MUX 36S08	<a href="#">Samples</a>
MUX36S08IRUMR	ACTIVE	WQFN	RUM	16	3000	Green (RoHS & no Sb/Br)	NIPDAU	Level-2-260C-1 YEAR	-40 to 125	MUX 36S08	<a href="#">Samples</a>

(1) The marketing status values are defined as follows:

**ACTIVE:** Product device recommended for new designs.

**LIFEBUY:** TI has announced that the device will be discontinued, and a lifetime-buy period is in effect.

**NRND:** Not recommended for new designs. Device is in production to support existing customers, but TI does not recommend using this part in a new design.

**PREVIEW:** Device has been announced but is not in production. Samples may or may not be available.

**OBSOLETE:** TI has discontinued the production of the device.

(2) **RoHS:** TI defines "RoHS" to mean semiconductor products that are compliant with the current EU RoHS requirements for all 10 RoHS substances, including the requirement that RoHS substance do not exceed 0.1% by weight in homogeneous materials. Where designed to be soldered at high temperatures, "RoHS" products are suitable for use in specified lead-free processes. TI may reference these types of products as "Pb-Free".

**RoHS Exempt:** TI defines "RoHS Exempt" to mean products that contain lead but are compliant with EU RoHS pursuant to a specific EU RoHS exemption.

**Green:** TI defines "Green" to mean the content of Chlorine (Cl) and Bromine (Br) based flame retardants meet JS709B low halogen requirements of <=100ppm threshold. Antimony trioxide based flame retardants must also meet the <=1000ppm threshold requirement.

(3) MSL, Peak Temp. - The Moisture Sensitivity Level rating according to the JEDEC industry standard classifications, and peak solder temperature.

(4) There may be additional marking, which relates to the logo, the lot trace code information, or the environmental category on the device.

<sup>(5)</sup> Multiple Device Markings will be inside parentheses. Only one Device Marking contained in parentheses and separated by a "-" will appear on a device. If a line is indented then it is a continuation of the previous line and the two combined represent the entire Device Marking for that device.

<sup>(6)</sup> Lead/Ball Finish - Orderable Devices may have multiple material finish options. Finish options are separated by a vertical ruled line. Lead/Ball Finish values may wrap to two lines if the finish value exceeds the maximum column width.

**Important Information and Disclaimer:**The information provided on this page represents TI's knowledge and belief as of the date that it is provided. TI bases its knowledge and belief on information provided by third parties, and makes no representation or warranty as to the accuracy of such information. Efforts are underway to better integrate information from third parties. TI has taken and continues to take reasonable steps to provide representative and accurate information but may not have conducted destructive testing or chemical analysis on incoming materials and chemicals. TI and TI suppliers consider certain information to be proprietary, and thus CAS numbers and other limited information may not be available for release.

In no event shall TI's liability arising out of such information exceed the total purchase price of the TI part(s) at issue in this document sold by TI to Customer on an annual basis.

**TAPE AND REEL INFORMATION**

**QUADRANT ASSIGNMENTS FOR PIN 1 ORIENTATION IN TAPE**


\*All dimensions are nominal

Device	Package Type	Package Drawing	Pins	SPQ	Reel Diameter (mm)	Reel Width W1 (mm)	A0 (mm)	B0 (mm)	K0 (mm)	P1 (mm)	W (mm)	Pin1 Quadrant
MUX36D04IPWR	TSSOP	PW	16	2000	330.0	12.4	6.9	5.6	1.6	8.0	12.0	Q1
MUX36D04IRRJR	WQFN	RRJ	16	3000	330.0	12.4	4.25	4.25	1.15	8.0	12.0	Q2
MUX36D04IRUMR	WQFN	RUM	16	3000	330.0	12.4	4.25	4.25	1.15	8.0	12.0	Q2
MUX36S08IPWR	TSSOP	PW	16	2000	330.0	12.4	6.9	5.6	1.6	8.0	12.0	Q1
MUX36S08IRRJR	WQFN	RRJ	16	3000	330.0	12.4	4.25	4.25	1.15	8.0	12.0	Q2
MUX36S08IRUMR	WQFN	RUM	16	3000	330.0	12.4	4.25	4.25	1.15	8.0	12.0	Q2

**TAPE AND REEL BOX DIMENSIONS**


\*All dimensions are nominal

Device	Package Type	Package Drawing	Pins	SPQ	Length (mm)	Width (mm)	Height (mm)
MUX36D04IPWR	TSSOP	PW	16	2000	367.0	367.0	35.0
MUX36D04IRRJR	WQFN	RRJ	16	3000	367.0	367.0	35.0
MUX36D04IRUMR	WQFN	RUM	16	3000	367.0	367.0	35.0
MUX36S08IPWR	TSSOP	PW	16	2000	367.0	367.0	35.0
MUX36S08IRRJR	WQFN	RRJ	16	3000	367.0	367.0	35.0
MUX36S08IRUMR	WQFN	RUM	16	3000	367.0	367.0	35.0



4220204/A 02/2017

NOTES:

1. All linear dimensions are in millimeters. Any dimensions in parenthesis are for reference only. Dimensioning and tolerancing per ASME Y14.5M.
2. This drawing is subject to change without notice.
3. This dimension does not include mold flash, protrusions, or gate burrs. Mold flash, protrusions, or gate burrs shall not exceed 0.15 mm per side.
4. This dimension does not include interlead flash. Interlead flash shall not exceed 0.25 mm per side.
5. Reference JEDEC registration MO-153.

# EXAMPLE BOARD LAYOUT

PW0016A

TSSOP - 1.2 mm max height

SMALL OUTLINE PACKAGE



LAND PATTERN EXAMPLE  
EXPOSED METAL SHOWN  
SCALE: 10X



SOLDER MASK DETAILS

4220204/A 02/2017

NOTES: (continued)

- 6. Publication IPC-7351 may have alternate designs.
- 7. Solder mask tolerances between and around signal pads can vary based on board fabrication site.

# EXAMPLE STENCIL DESIGN

PW0016A

TSSOP - 1.2 mm max height

SMALL OUTLINE PACKAGE



SOLDER PASTE EXAMPLE  
BASED ON 0.125 mm THICK STENCIL  
SCALE: 10X

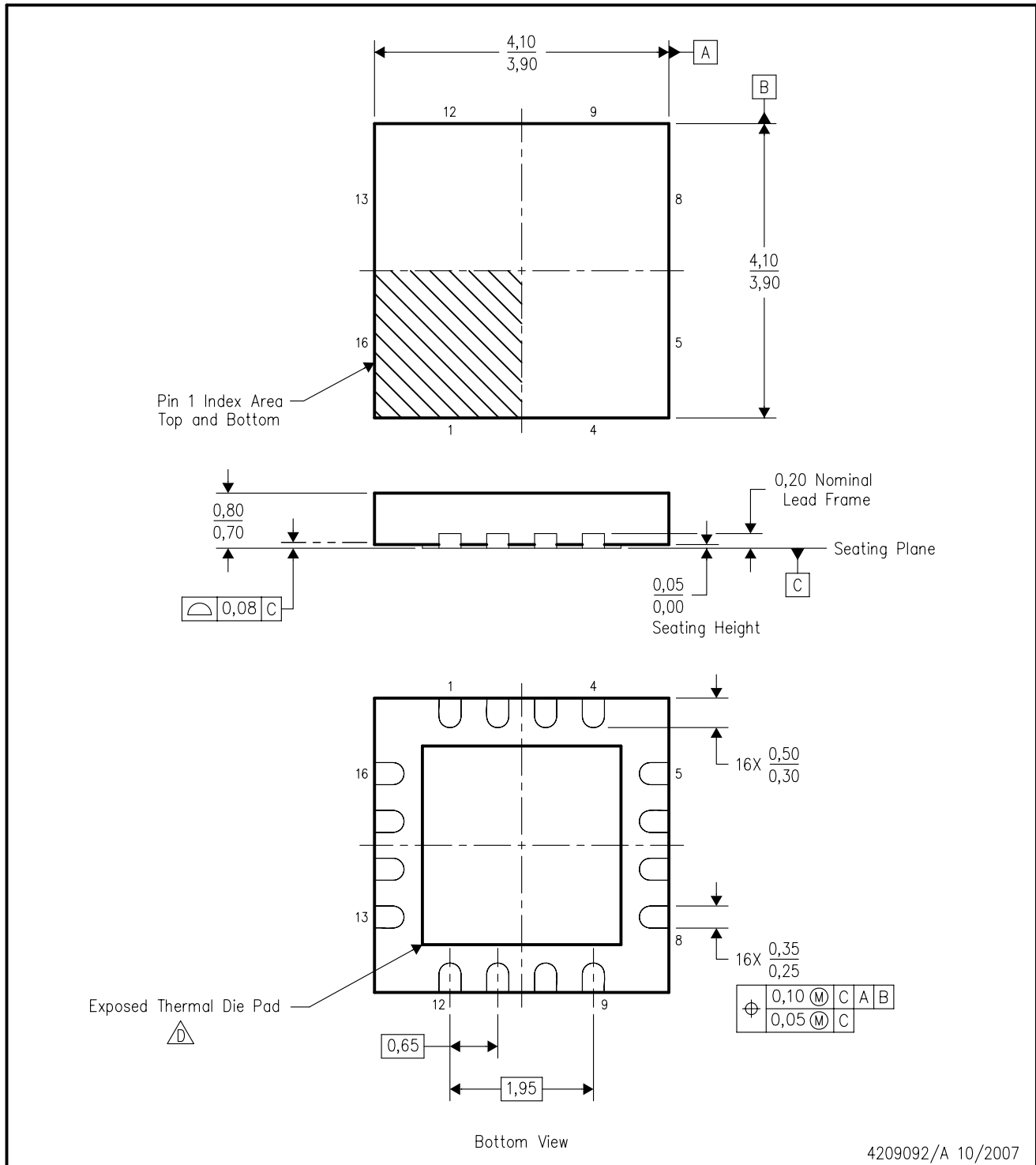
4220204/A 02/2017

NOTES: (continued)


8. Laser cutting apertures with trapezoidal walls and rounded corners may offer better paste release. IPC-7525 may have alternate design recommendations.
9. Board assembly site may have different recommendations for stencil design.

RUM (S-PQFP-N16)

PLASTIC QUAD FLATPACK



4209092/A 10/2007

- NOTES:
- A. All linear dimensions are in millimeters. Dimensioning and tolerancing per ASME Y14.5M-1994.
  - B. This drawing is subject to change without notice.
  - C. QFN (Quad Flatpack No-Lead) package configuration.
  -  The package thermal pad must be soldered to the board for thermal and mechanical performance. See the Product Data Sheet for details regarding the exposed thermal pad dimensions.
  - E. Package complies to JEDEC MO-220 variation WGGC-3.

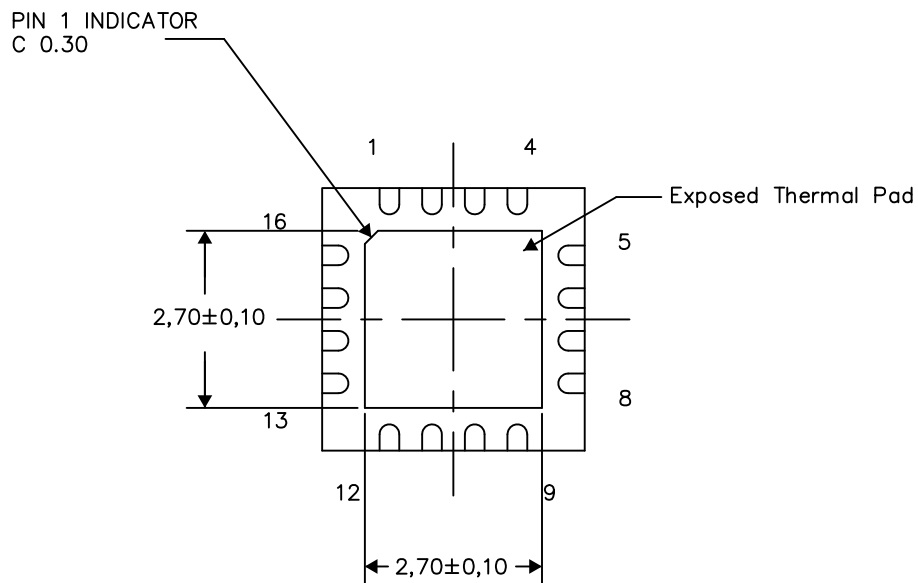


THERMAL INFORMATION

This package incorporates an exposed thermal pad that is designed to be attached directly to an external heatsink. The thermal pad must be soldered directly to the printed circuit board (PCB). After soldering, the PCB can be used as a heatsink. In addition, through the use of thermal vias, the thermal pad can be attached directly to the appropriate copper plane shown in the electrical schematic for the device, or alternatively, can be attached to a special heatsink structure designed into the PCB. This design optimizes the heat transfer from the integrated circuit (IC).

For information on the Quad Flatpack No-Lead (QFN) package and its advantages, refer to Application Report, QFN/SON PCB Attachment, Texas Instruments Literature No. SLUA271. This document is available at [www.ti.com](http://www.ti.com).

The exposed thermal pad dimensions for this package are shown in the following illustration.



Bottom View

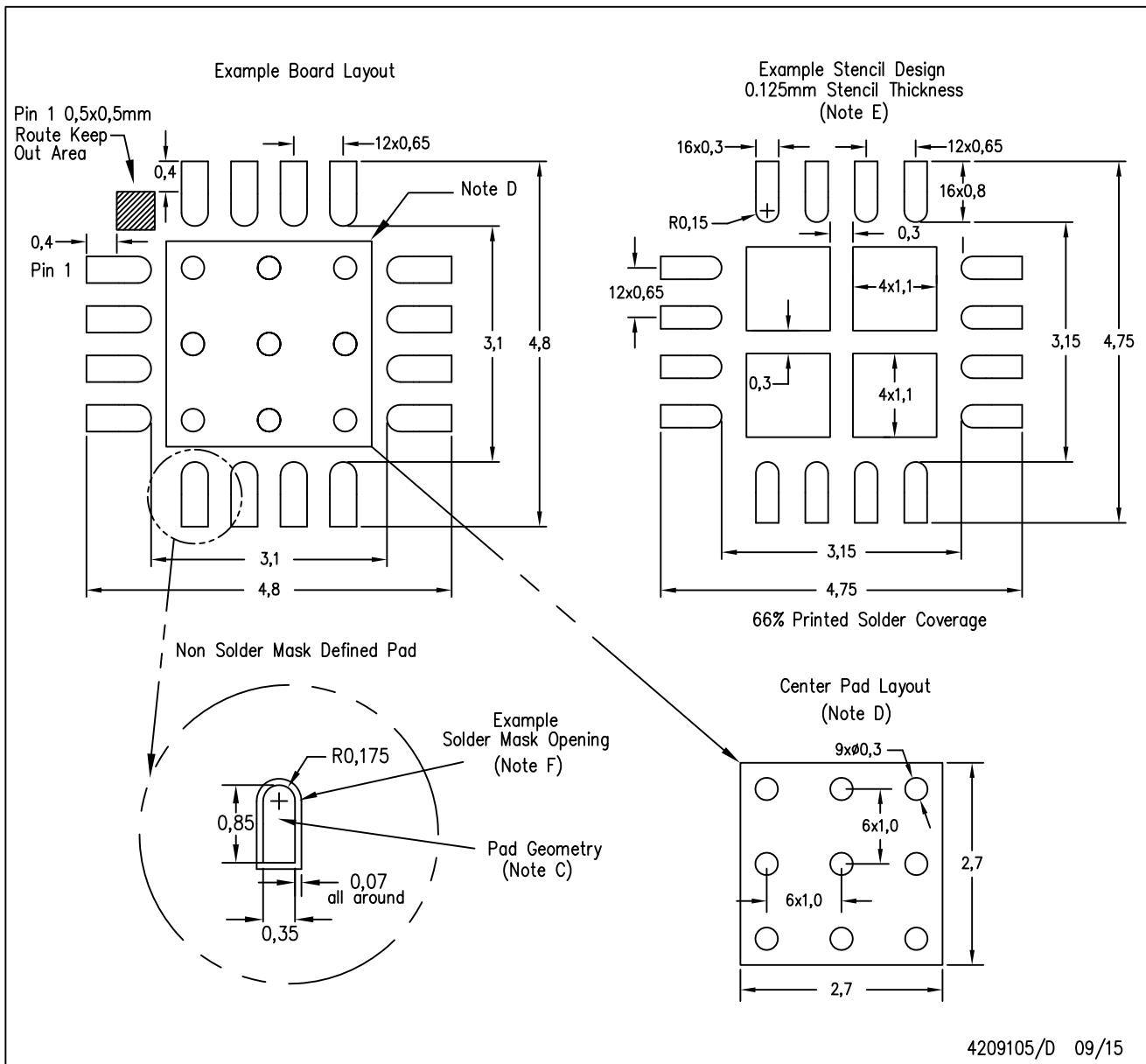
Exposed Thermal Pad Dimensions

4209093-2/F 09/15

NOTES: All linear dimensions are in millimeters

RUM (S-PWQFN-N16)

PLASTIC QUAD FLATPACK NO-LEAD



- NOTES:
- A. All linear dimensions are in millimeters.
  - B. This drawing is subject to change without notice.
  - C. Publication IPC-7351 is recommended for alternate designs.
  - D. This package is designed to be soldered to a thermal pad on the board. Refer to Application Note, QFN Packages, Texas Instruments Literature No. SLUA271, and also the Product Data Sheets for specific thermal information, via requirements, and recommended board layout. These documents are available at [www.ti.com](http://www.ti.com) <<http://www.ti.com>>.
  - E. Laser cutting apertures with trapezoidal walls and also rounding corners will offer better paste release. Customers should contact their board assembly site for stencil design recommendations. Refer to IPC 7525 for stencil design considerations.
  - F. Customers should contact their board fabrication site for solder mask tolerances.

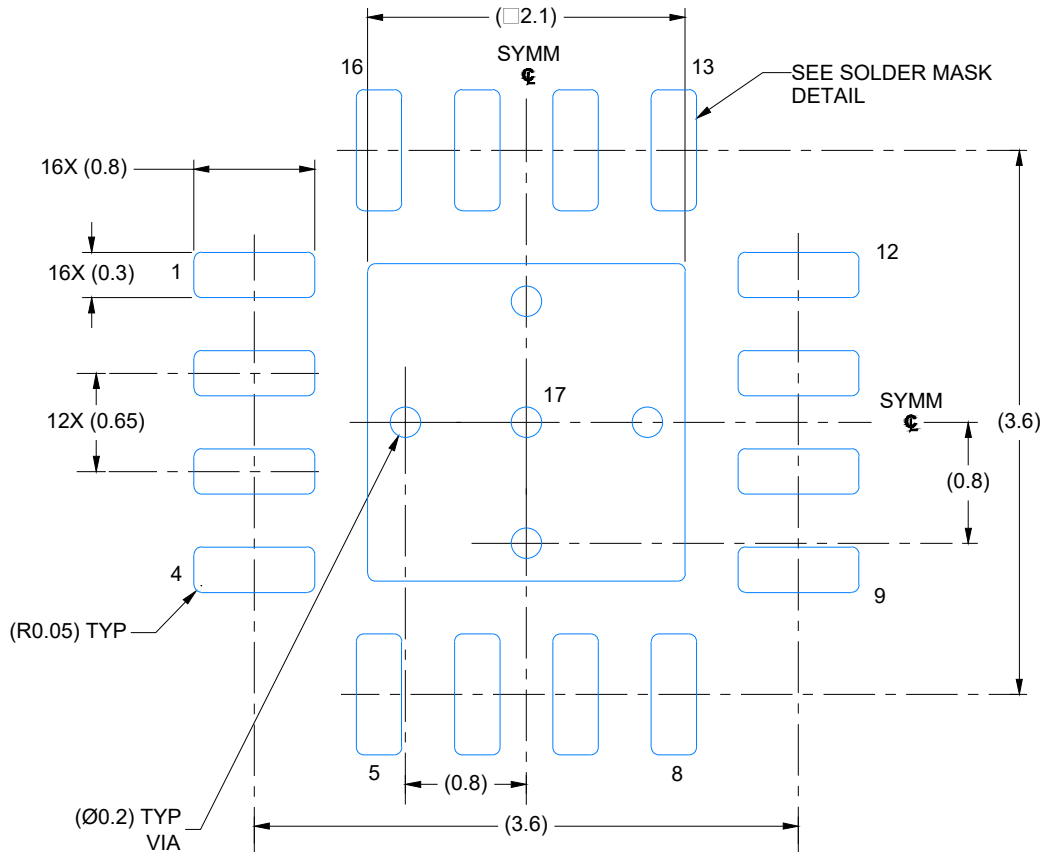


# EXAMPLE BOARD LAYOUT

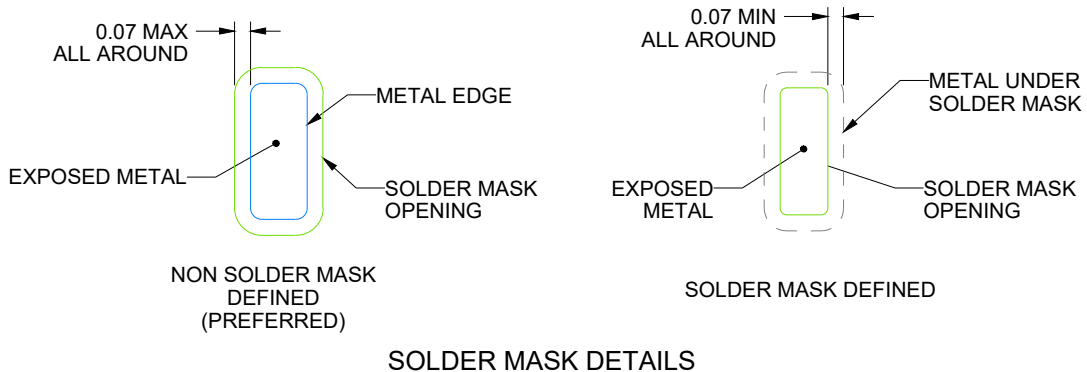
RRJ0016A

WQFN - 0.8 mm max height

PLASTIC QUAD FLATPACK - NO LEAD



LAND PATTERN EXAMPLE  
EXPOSED METAL SHOWN  
SCALE: 20X



SOLDER MASK DETAILS

4224485/A 08/2018

NOTES: (continued)

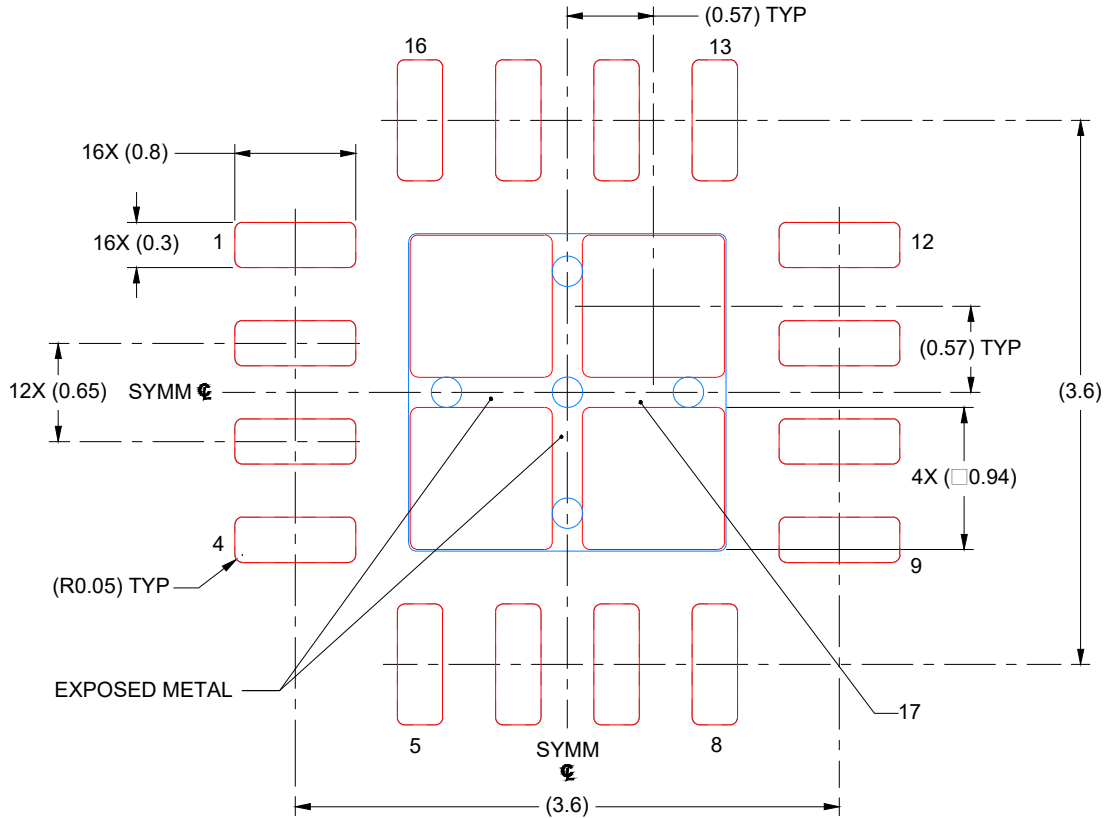
- This package is designed to be soldered to a thermal pad on the board. For more information, see Texas Instruments literature number SLUA271 ([www.ti.com/lit/slua271](http://www.ti.com/lit/slua271)).
- Vias are optional depending on application, refer to device data sheet. If any vias are implemented, refer to their locations shown on this view. It is recommended that vias under paste be filled, plugged or tented.

# EXAMPLE STENCIL DESIGN

RRJ0016A

WQFN - 0.8 mm max height

PLASTIC QUAD FLATPACK - NO LEAD



SOLDER PASTE EXAMPLE  
BASED ON 0.125 MM THICK STENCIL  
SCALE: 20X

EXPOSED PAD 17  
80% PRINTED SOLDER COVERAGE BY AREA UNDER PACKAGE

4224485/A 08/2018

NOTES: (continued)

6. Laser cutting apertures with trapezoidal walls and rounded corners may offer better paste release. IPC-7525 may have alternate design recommendations.

## 重要声明和免责声明

TI 均以“原样”提供技术性 & 可靠性数据（包括数据表）、设计资源（包括参考设计）、应用或其他设计建议、网络工具、安全信息和其他资源，不保证其中不含任何瑕疵，且不做任何明示或暗示的担保，包括但不限于对适销性、适合某特定用途或不侵犯任何第三方知识产权的暗示担保。

所述资源可供专业开发人员应用 TI 产品进行设计使用。您将对以下行为独自承担全部责任：(1) 针对您的应用选择合适的 TI 产品；(2) 设计、验证并测试您的应用；(3) 确保您的应用满足相应标准以及任何其他安全、安保或其他要求。所述资源如有变更，恕不另行通知。TI 对您使用所述资源的授权仅限于开发资源所涉及 TI 产品的相关应用。除此之外不得复制或展示所述资源，也不提供其它 TI 或任何第三方的知识产权授权许可。如因使用所述资源而产生任何索赔、赔偿、成本、损失及债务等，TI 对此概不负责，并且您须赔偿由此对 TI 及其代表造成的损害。

TI 所提供产品均受 TI 的销售条款 (<http://www.ti.com.cn/zh-cn/legal/termsofsale.html>) 以及 [ti.com.cn](http://www.ti.com.cn) 上或随附 TI 产品提供的其他可适用条款的约束。TI 提供所述资源并不扩展或以其他方式更改 TI 针对 TI 产品所发布的可适用的担保范围或担保免责声明。

邮寄地址：上海市浦东新区世纪大道 1568 号中建大厦 32 楼，邮政编码：200122

Copyright © 2020 德州仪器半导体技术（上海）有限公司