

TPS62770 面向可穿戴应用的多轨 DC/DC 转换器

1 特性

- VIN 范围为 2.5V 至 5.5V
- 370nA Iq 降压转换器
 - 8 个可选输出电压 (1.0V 至 3.0V)
 - 300mA 输出电流
 - 输出放电功能
- 受转换率控制的负载开关, 具有放电功能
- 双模式降压转换器
 - 负载断开
 - 恒定输出电压, 最高可调节至 15V (V_{FB} 0.8 V) /12V (固定值)
 - 发光二极管 (LED) 电流驱动器, 提供脉宽调制 (PWM) 用于电流转换 (D = 100% 时的最大 V_{FB} 电压为 200mV)
- 超小型 16 引脚 1.58mm x 1.58mm WCSP 封装, 0.4mm 间距

2 应用

- 可穿戴和个人电子产品
- 健身配件
- 健康状况监控和医疗配件

3 说明

TPS62770 是一套面向可穿戴应用的超小型电源解决方案, 其包括一个 370nA 超低 Iq 降压转换器、一个受转换率控制的负载开关以及一个双模式降压转换器。该降压转换器的输出电压可通过三个 VSEL 引脚在 1.0V、1.05V、1.1V、1.2V、1.8V、1.9V、2.0V 和 3.0V 之间选择。可以在运行期间更改输出电压。在关断模式下, 该降压转换器的输出拉至 GND。集成的负载开关从内部连接至降压转换器的输出, 并且接通阶段可控制转换率。关闭后, 其输出连接到 GND。

双模式降压转换器既可以生成最高达 15V 的恒定输出电压 (例如 PMOLED 电源), 也可以提供恒定输出电流 (例如 LED 背光电源)。输出电压可通过外部电阻最高调节至 15V, 也可以通过将 FB 引脚连接至 VIN 设为 12V 固定电压。该器件具有 17.7V 内部过压保护, 用于 FB 节点悬空或接地情况。该器件包含内部整流器和负载断开功能。用作恒定输出电流驱动器时, 该器件可为模拟转换器提供 PWM, 以便其根据 PWM 信号的占空比按比例减小基准电压。

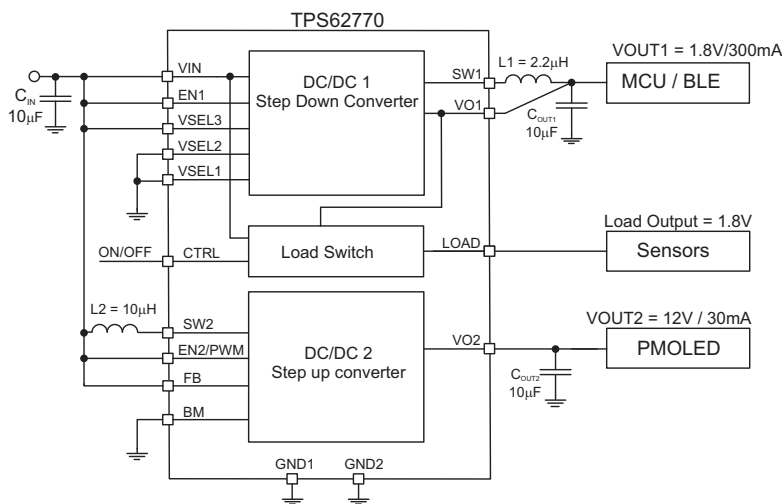
该器件采用小型 16 引脚 0.4mm 间距的 WCSP 封装。

器件信息⁽¹⁾

器件型号	封装	封装尺寸 (标称值)
TPS62770	DSBGA (16)	1.58mm x 1.58mm

(1) 要了解所有可用封装, 请见数据表末尾的可订购产品附录。

典型应用电路原理图



目录

1	特性	1	7.4	Device Functional Modes.....	13
2	应用	1	8	Application and Implementation	17
3	说明	1	8.1	Application Information.....	17
4	修订历史记录	2	8.2	Typical Application	18
5	Pin Configuration and Functions	3	9	Power Supply Recommendations	31
6	Specifications.....	4	10	Layout.....	31
6.1	Absolute Maximum Ratings	4	10.1	Layout Guidelines	31
6.2	ESD Ratings	4	10.2	Layout Example	31
6.3	Recommended Operating Conditions.....	5	11	器件和文档支持	33
6.4	Thermal Information	5	11.1	器件支持	33
6.5	Electrical Characteristics.....	5	11.2	文档支持	33
6.6	Typical Characteristics.....	8	11.3	商标.....	33
7	Detailed Description	9	11.4	静电放电警告.....	33
7.1	Overview	9	11.5	Glossary	33
7.2	Functional Block Diagram	9	12	机械、封装和可订购信息.....	33
7.3	Feature Description.....	10			

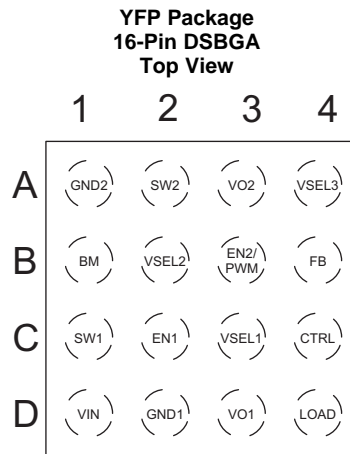
4 修订历史记录

Changes from Original (February 2016) to Revision A

Page

•	已更改 器件状态至“量产数据”且已发布完整数据表。	1
---	---------------------------------	----------

5 Pin Configuration and Functions



Pin Functions

PIN		I/O	DESCRIPTION
NAME	NO		
EN2/PWM	B3	IN	Enable pin for the step-up converter. High level enables the devices, low level turns the device into shutdown mode. A PWM signal can be applied to this pin when used as a constant current driver (BM pin connected to VIN). The pin must be terminated.
GND2	A1	PWR	GND supply pin for the step-up converter. Connect this pin close to the GND terminals of the input and output capacitors.
SW2	A2	IN	The switch pin of the step-up converter. It is connected to the drain of the internal power MOSFET. Connect the inductor L2 between this pin and the input capacitor CIN
VO2	A3	OUT	Output of the step-up converter.
BM	B1	IN	This pin controls the operation mode of the step-up converter. With BM = high, the device features a low feedback voltage of 200mV, which can be scaled down by the integrated PWM to analog converter. With BM = low, the device operates with a 0.8V feedback voltage and operates as a step-up converter with voltage regulation. This pin must be terminated and set before the device is enabled.
FB	B4	IN	Feedback pin for the step-up converter to set the output voltage / current. Connect the pin to the center tap of a resistor divider to program the output voltage. When it is connected to the VIN pin, the output voltage is set to 12 V by an internal feedback divider network. When used as a LED current driver connect the sense resistor between this pin and GND. The LED string is connected between FB pin and VO2.
EN1	C2	IN	Enable pin for the step-down converter. High level enables the devices, low level turns the device into shutdown mode. The pin must be terminated.
VSEL1	C3	IN	Output voltage selection pins. See Table 1 for V _{OUT} selection. These pins must be terminated. The pins can be dynamically changed during operation.
VSEL2	B2	IN	
VSEL3	A4	IN	
CTRL	C4	IN	This pin controls the load switch between VO1 and LOAD. With CTRL = low, the LOAD switch is disabled. The pin must be terminated.
VIN	D1	PWR	VIN power supply pin. Connect the input capacitor close to this pin for best noise and voltage spike suppression. A ceramic capacitor of 10µF is required.
GND1	D2	PWR	GND supply pin for the step-down converter. Connect this pin close to both, the GND terminal of the input and output capacitor.
SW1	C1	OUT	This is the switch pin of the step-down converter and is connected to the internal MOSFET switches. Connect the inductor L1 between this terminal and the output capacitor.
VO1	D3	OUT	Output of the step-down converter. The output voltage is sensed via this pin to the internal feedback divider network for the regulation loop. In addition the internal load switch is connected between VO1 pin and LOAD pin. Connect this pin directly to the output capacitor with a short trace. The pin is connected to GND1 and discharges the output capacitor when the converter is disabled.
LOAD	D4	OUT	Output terminal of the internal load switch. With CTRL = high, the internal load switch connects VO1 to the LOAD pin. The switch features a slew rate control. This pin is pulled to GND with the CTRL = low. If not used, leave the pin open.

Table 1. Output Voltage Setting Step-Down Converter

VO1 [V]	VSEL3	VSEL2	VSEL1
1.0	0	0	0
1.05	0	0	1
1.1	0	1	0
1.2	0	1	1
1.8	1	0	0
1.9	1	0	1
2.0	1	1	0
3.0	1	1	1

6 Specifications

6.1 Absolute Maximum Ratings

 over operating free-air temperature range (unless otherwise noted) ⁽¹⁾

		MIN	MAX	UNIT
Pin voltage ⁽²⁾	VIN, FB	−0.3	6	V
	SW1	−0.3	V _{IN} +0.3V	V
	EN1, EN2/PWM, CTRL, BM, VSEL1-3	−0.3	V _{IN} +0.3V	V
	SW2, VO2	−0.3	32	V
	VO1, LOAD	−0.3	3.7	V
T _J	Operating junction temperature range	−40	125	°C
T _{stg}	Storage temperature range	−65	150	°C

- (1) Stresses beyond those listed under *absolute maximum ratings* may cause permanent damage to the device. These are stress ratings only and functional operation of the device at these or any other conditions beyond those indicated under *recommended operating conditions* is not implied. Exposure to absolute–maximum–rated conditions for extended periods may affect device reliability.
- (2) All voltage values are with respect to network ground terminal GND.

6.2 ESD Ratings

			VALUE	UNIT
V _(ESD)	Electrostatic discharge	Human body model (HBM), per ANSI/ESDA/JEDEC JS-001, all pins ⁽¹⁾	± 2000	V
		Charged device model (CDM), per JEDEC specification JESD22-C101, all pins ⁽²⁾	±500	

- (1) JEDEC document JEP155 states that 500-V HBM allows safe manufacturing with a standard ESD control process. The human body model is a 100-pF capacitor discharged through a 1.5-kΩ resistor into each pin.
- (2) JEDEC document JEP157 states that 250-V CDM allows safe manufacturing with a standard ESD control process.

6.3 Recommended Operating Conditions

		MIN	NOM	MAX	UNIT
V_{IN}	Input voltage range at V_{IN} pin	2.5		5.5	V
I_{OUT1}	DC/DC 1 Step down converter output current $L1 = 2.2\mu\text{H}$, $C_{OUT1} = 10\mu\text{F}$			300	mA
I_{OUT2}	DC/DC 2 Step up converter output current	$2.5\text{V} < V_{IN} < 5.5\text{V}$, $V_{OUT2} = 12\text{V}$, $C_{OUT2} = 10\mu\text{F}$, $L = 10\mu\text{H}$		30	mA
		$2.5\text{V} < V_{IN} < 5.5\text{V}$, $V_{OUT2} = 12\text{V}$, $C_{OUT2} = 2 \times 10\mu\text{F}$, $L = 10\mu\text{H}$		100	
		$3\text{V} < V_{IN} < 5.5\text{V}$, $V_{OUT2} = 5\text{V}$, $C_{OUT2} = 2 \times 10\mu\text{F}$, $L = 4.7\mu\text{H}$		200	
I_{LOAD}	Load current (current from LOAD pin)			100	
T_J	Operating junction temperature range	-40		125	$^{\circ}\text{C}$
T_A	Ambient temperature range	-40		85	

6.4 Thermal Information

THERMAL METRIC ⁽¹⁾		TPS62770		UNIT
		YFP		
		TERMINALS		
$R_{\theta JA}$	Junction-to-ambient thermal resistance	90.6		$^{\circ}\text{C}/\text{W}$
$R_{\theta JCTop}$	Junction-to-case (top) thermal resistance	0.6		
$R_{\theta JB}$	Junction-to-board thermal resistance	13.8		
Ψ_{JT}	Junction-to-top characterization parameter	2.8		
Ψ_{JB}	Junction-to-board characterization parameter	13.7		
$R_{\theta JCbott}$	Junction-to-case (bottom) thermal resistance	n/a		

(1) For more information about traditional and new thermal metrics, see the *Semiconductor and IC Package Thermal Metrics* application report, [SPRA953](#).

6.5 Electrical Characteristics

$V_{IN} = 3.6\text{V}$, $T_A = -40^{\circ}\text{C}$ to 85°C typical values are at $T_A = 25^{\circ}\text{C}$ (unless otherwise noted)

PARAMETER		TEST CONDITIONS	MIN	TYP	MAX	UNIT
SUPPLY						
I_{SD}	Shutdown current into V_{IN}	$EN1 = EN2/PWM = \text{GND}$, CTRL GND , $\text{BM} = \text{GND}$,		0.1	1850	nA
V_{TH_UVLO+}	Undervoltage lockout threshold	Rising V_{IN}		2.1	2.22	V
V_{TH_UVLO-}		Falling V_{IN}		1.9	2	
INPUTS EN1, EN2/PWM, BM, CTRL, VSEL 1-3						
$V_{IH\ TH}$	High level input threshold				1.2	V
$V_{IL\ TH}$	Low level input threshold		0.4			V
I_{IN}	Input bias Current	$T_J = 25^{\circ}\text{C}$			10	nA
		$T_J = -40^{\circ}\text{C}$ to 85°C			25	

Electrical Characteristics (continued)
 $V_{IN} = 3.6V$, $T_A = -40^{\circ}C$ to $85^{\circ}C$ typical values are at $T_A = 25^{\circ}C$ (unless otherwise noted)

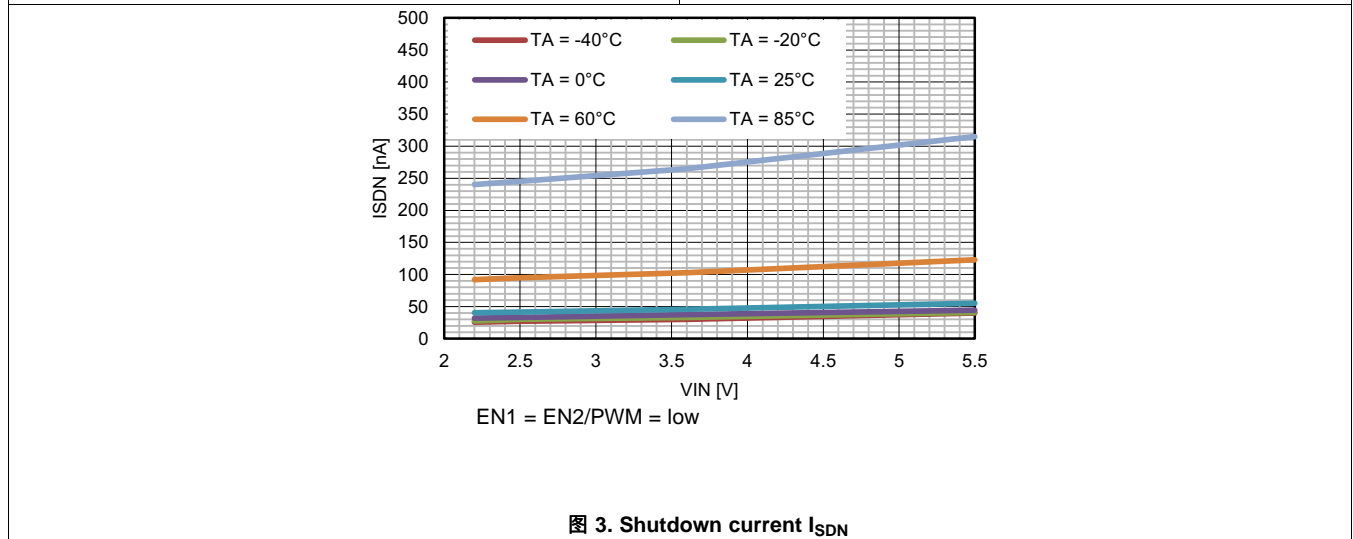
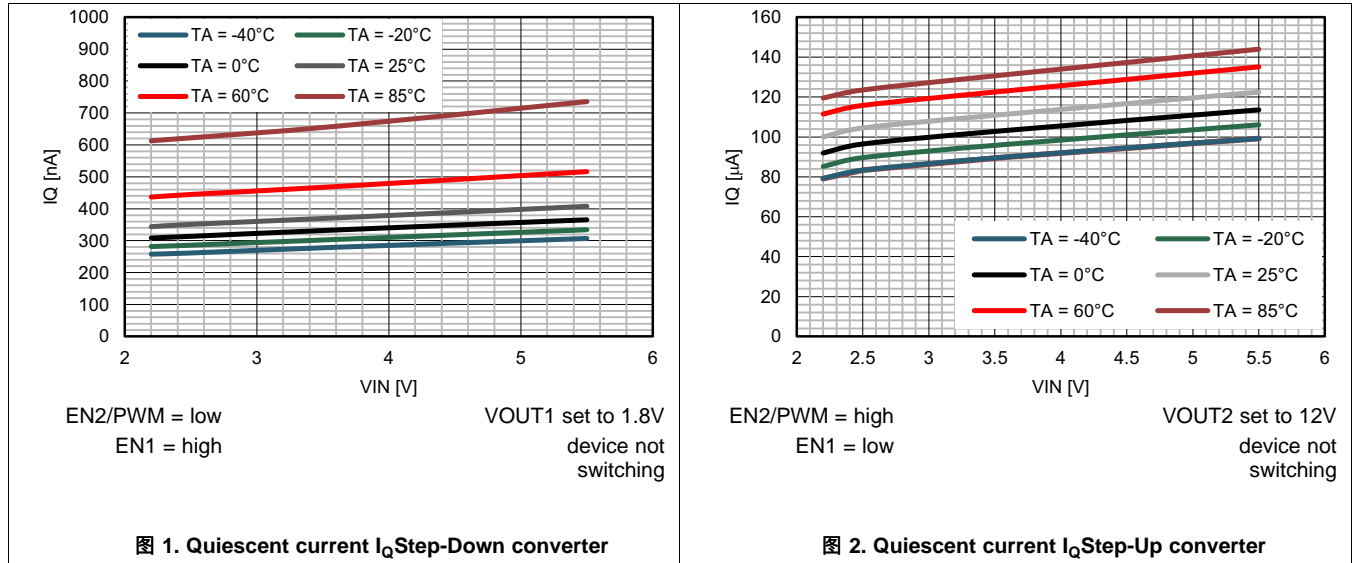
PARAMETER		TEST CONDITIONS	MIN	TYP	MAX	UNIT	
STEP-DOWN CONVERTER							
I_Q	Operating quiescent current	EN1 = V_{IN} , EN2/PWM = GND, CTRL = GND, $I_{OUT} = 0\mu A$, $V_{OUT} = 1.8V$, device not switching,		370	1850	nA	
		EN1 = V_{IN} , EN2/PWM = GND, $I_{OUT} = 0mA$, CTRL = GND, $V_{OUT} = 1.8V$, device switching		500			
V_{VOUT}	Output voltage range		1.0		3.0	V	
	Output voltage accuracy	PFM mode	-2.5	0	2.5	%	
		PWM mode	-2	0	2		
	DC output voltage load regulation	$V_{OUT} = 1.8V$		0.001		%/mA	
DC output voltage line regulation	$V_{OUT} = 1.8V$, $I_{OUT} = 10mA$, $2.5V \leq V_{IN} \leq 5.5V$		0		%/V		
$R_{DS(ON)}$	High side MOSFET on-resistance	$I_{OUT} = 50mA$		0.45		Ω	
	Low Side MOSFET on-resistance			0.22			
I_{LIMF}	High side MOSFET switch current limit		480	600	720	mA	
	Low side MOSFET switch current limit			600		mA	
R_{DSCH_VO1}	Discharge switch on-resistance	EN = GND, $I_{VO1} = -10mA$ into VO1 pin		20	65	Ω	
I_{IN_VO1}	Bias current into VO1 pin	EN = V_{IN} , $V_{OUT} = 1.8V$	$T_J = 25^{\circ}C$	40	100	nA	
			$T_J = -40^{\circ}C$ to $85^{\circ}C$		1010		
V_{TH_100+}	Auto 100% Mode leave detection threshold ⁽¹⁾	Rising V_{IN} , 100% Mode is left with $V_{IN} = V_{OUT} + V_{TH_100+}$, max value at $T_J = 85^{\circ}C$	150	250	370	mV	
V_{TH_100-}	Auto 100% Mode enter detection threshold ⁽¹⁾	Falling V_{IN} , 100% Mode is entered with $V_{IN} = V_{OUT} + V_{TH_100-}$, max value at $T_J = 85^{\circ}C$	85	200	310		
t_{ONmin}	Minimum ON time	$V_{OUT} = 2.0V$, $I_{OUT} = 0mA$		225		ns	
t_{OFFmin}	Minimum OFF time			50		ns	
$t_{Startup_delay}$	Regulator start up delay time	From transition EN1 = low to high until device starts switching		1	5	ms	
$t_{Softstart}$	Softstart time with reduced switch current limit			700	1200	μs	
$I_{LIM_softstart}$	High side MOSFET switch current limit	Reduced switch current limit during softstart		80	150	200	mA
	Low side MOSFET switch current limit			150			
LOAD SWITCH							
R_{LOAD}	MOSFET on-resistance	$I_{LOAD} = 50mA$, CTRL = V_{IN} , $V_{OUT} = 1.8V$,		0.6	1.27	Ω	
t_{rise_LOAD}	V_{LOAD} rise time	Starting with CTRL low to high transition, time to ramp V_{LOAD} from 95%, $V_{OUT} = 1.8V$, $I_{LOAD} = 20mA$		315	800	μs	
R_{DCHRG}	MOSFET on-resistance			20	65	Ω	

(1) V_{IN} is compared to the programmed output voltage (V_{OUT}). When $V_{IN} - V_{OUT}$ falls below V_{TH_100-} , the device enters 100% Mode by turning the high side MOSFET on. The 100% Mode is exited when $V_{IN} - V_{OUT}$ exceeds V_{TH_100+} and the device starts switching. The hysteresis for the 100% Mode detection threshold $V_{TH_100+} - V_{TH_100-}$ will always be positive and will be approximately 50 mV (typ.)

Electrical Characteristics (continued)
 $V_{IN} = 3.6V$, $T_A = -40^{\circ}C$ to $85^{\circ}C$ typical values are at $T_A = 25^{\circ}C$ (unless otherwise noted)

PARAMETER		TEST CONDITIONS	MIN	TYP	MAX	UNIT
STEP-UP CONVERTER						
I_{Q_VIN}	Quiescent current into VIN pin	EN2/PWM = VIN, BM = GND, EN1 = GND, no load, no switching, $V_{OUT} = 12V$		110	200	μA
V_{OUT}	Output voltage range	EN2/PWM = VIN, BM = GND	4.5		15	V
V_{OUT_12V}	12-V output voltage accuracy	FB pin connected to VIN pin, EN2/PWM = V_{IN} , BM = GND	11.7	12	12.3	V
V_{FB}	Feedback voltage	PWM mode, BM = GND, EN2/PWM = V_{IN}	0.775	0.795	0.814	V
		PFM mode, BM = GND, EN2/PWM = V_{IN}		0.803		V
	Feedback regulation voltage under brightness control	EN2/PWM = VIN, BM = VIN,	189	200	206	mV
		VFB = 50mV, BM = VIN, D(PWM) @ EN2/PWM = 25%, VFB = 20mV, BM = VIN, D(PWM) @ EN2/PWM = 10%	40	50	60	mV
		13	20	27		
t_{Dim_Off}	Dimming signal on pin EN2/PWM			270	160	μs
t_{Dim_On}			1			μs
V_{OVP}	Output overvoltage protection threshold		17	17.7	18.4	V
V_{OVP_HYS}	Over voltage protection hysteresis			800		mV
I_{FB_LKG}	Leakage current into FB pin			5	200	nA
I_{SW_LKG}	Leakage current into SW pin	EN2/PWM = GND		5	500	nA
$R_{DS(on)}$	Isolation MOSFET on resistance	$V_{OUT} = 12V$		850		m Ω
	Low-side MOSFET on resistance	$V_{OUT} = 12V$		450		
f_{SW}	Switching frequency	$V_{OUT} = 12V$, PWM mode	850	1050	1250	kHz
t_{ON_min}	Minimal switch on time			150	250	ns
I_{LIM_SW}	Peak switch current limit	$V_{OUT} = 12V$	730	970	1230	mA
I_{LIM_CHG}	Pre-charge current	$V_{OUT} = 0V$		30	55	mA
$t_{Softstart}$	Pre-charge time	BM = GND, EN2/PWM from low to high until device starts switching, $I_{OUT2} = 0mA$, $C_{OUT2} = 10\mu F$		6		ms
	Startup time	V_{OUT} from V_{IN} to 12 V, $C_{OUT_effective} = 2.2\mu F$, $I_{OUT} = 0A$		6		

6.6 Typical Characteristics



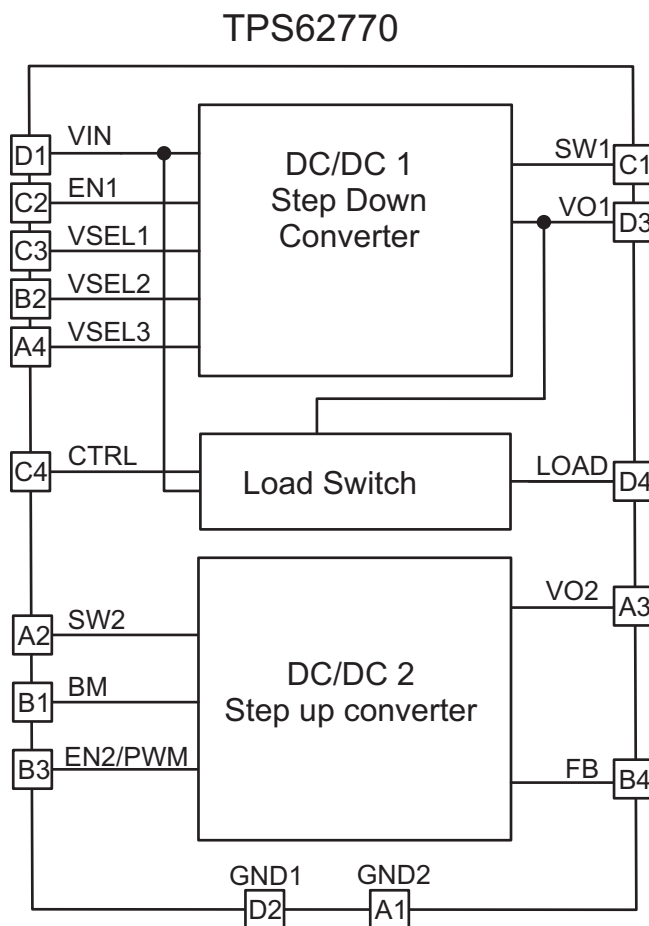
7 Detailed Description

7.1 Overview

The TPS62770 is a tiny power solution for wearable applications including a 370nA ultra low Iq step-down converter, a slew rate controlled load switch and a dual mode step-up converter. The output voltage of the step-down converter can be selected with three VSEL pins between 1.0 V, 1.05 V, 1.1 V, 1.2 V, 1.8 V, 1.9 V, 2.0 V and 3.0 V.

The dual mode step-up converter can generate a constant output voltage up to 15 V, such as PMOLED supply or, a constant output current, such as LED back light supply.

7.2 Functional Block Diagram



7.3 Feature Description

7.3.1 Step-Down Converter Device

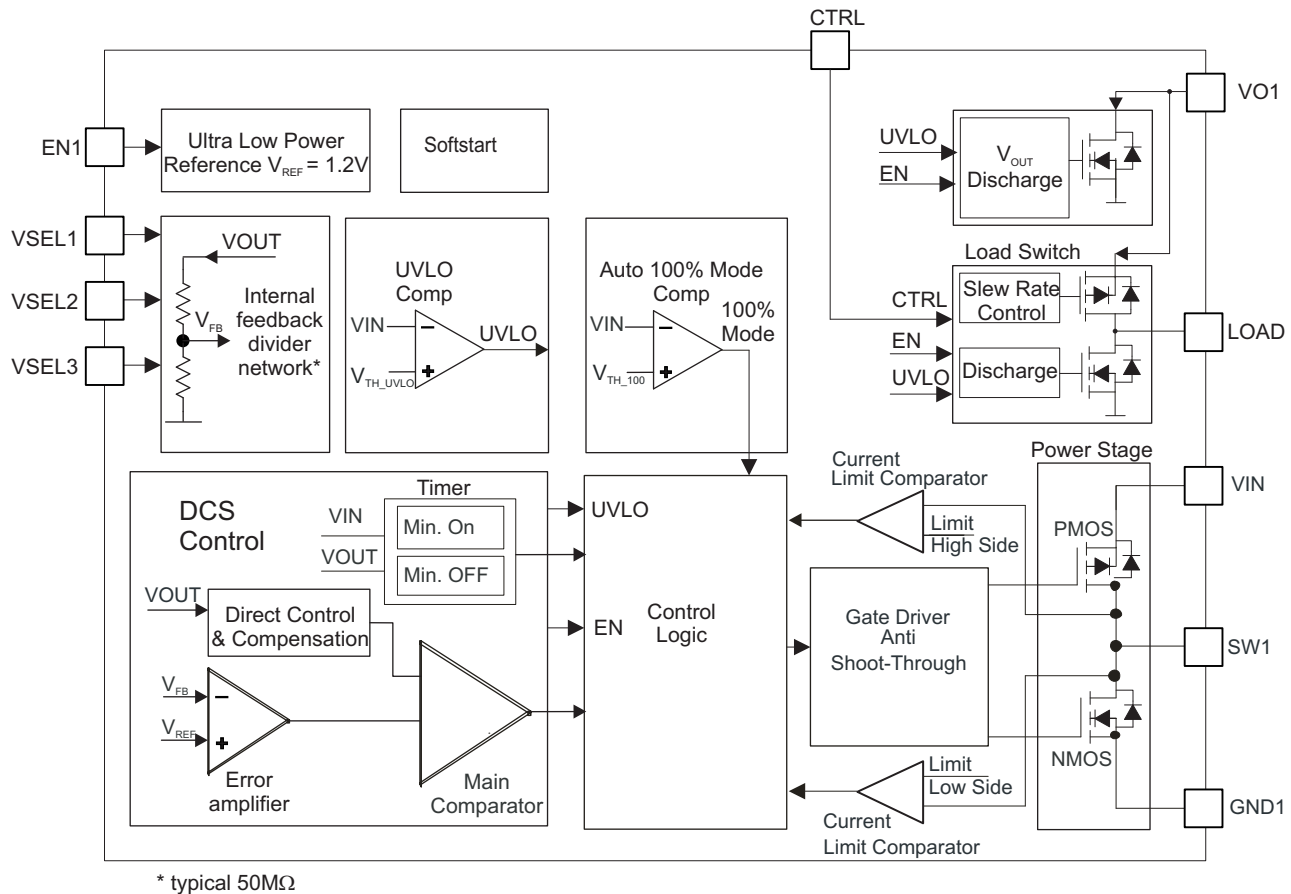


图 4. Block diagram Step-Down Converter with Load Switch

7.3.1.1 DCS-Control™

TI's DCS-Control™ (Direct Control with Seamless Transition into Power Save Mode) is an advanced regulation topology, which combines the advantages of hysteretic and voltage mode control. Characteristics of DCS-Control™ are excellent AC load regulation and transient response, low output ripple voltage and a seamless transition between PFM and PWM mode operation. DCS-Control™ includes an AC loop which senses the output voltage (VO1 pin) and directly feeds the information to a fast comparator stage. This comparator sets the switching frequency, which is constant for steady state operating conditions, and provides immediate response to dynamic load changes. In order to achieve accurate DC load regulation, a voltage feedback loop is used. The internally compensated regulation network achieves fast and stable operation with small external components and low ESR capacitors. The DCS-Control™ topology supports PWM (Pulse Width Modulation) mode for medium and high load conditions and a Power Save Mode at light loads. Since DCS-Control™ supports both operation modes within one single building block, the transition from PWM to Power Save Mode is seamless with minimum output voltage ripple. The step-down converter offers both excellent DC voltage and superior load transient regulation, combined with low output voltage ripple, minimizing interference with RF circuits.

7.3.1.2 Output Voltage Selection with pins VSEL1-VSEL3

The step-down converter doesn't require an external resistor divider network to program the output voltage. The device integrates a high impedance feedback resistor divider network that is programmed by the pins VSEL1-3. It supports an output voltage range from 1.0 V to 3.0 V. The output voltage is programmed according to Table 1. The output voltage can be changed during operation. This can be used for simple dynamic output voltage scaling.

Feature Description (接下页)

7.3.1.3 CTRL / Output Load

With the CTRL pin set to high, the integrated loadswitch is activated and connects the LOAD pin to the VO1 pin to power up an additional sub-system. The load switch is slew rate controlled to support soft switching and not to impact the regulated output VO1. If CTRL pin is pulled to GND, the LOAD pin is disconnected from the VO1 pin and internally connected to GND by an internal discharge switch. The CTRL pin can be controlled by a micro controller.

7.3.1.4 Output Discharge At Pins VO1 And LOAD

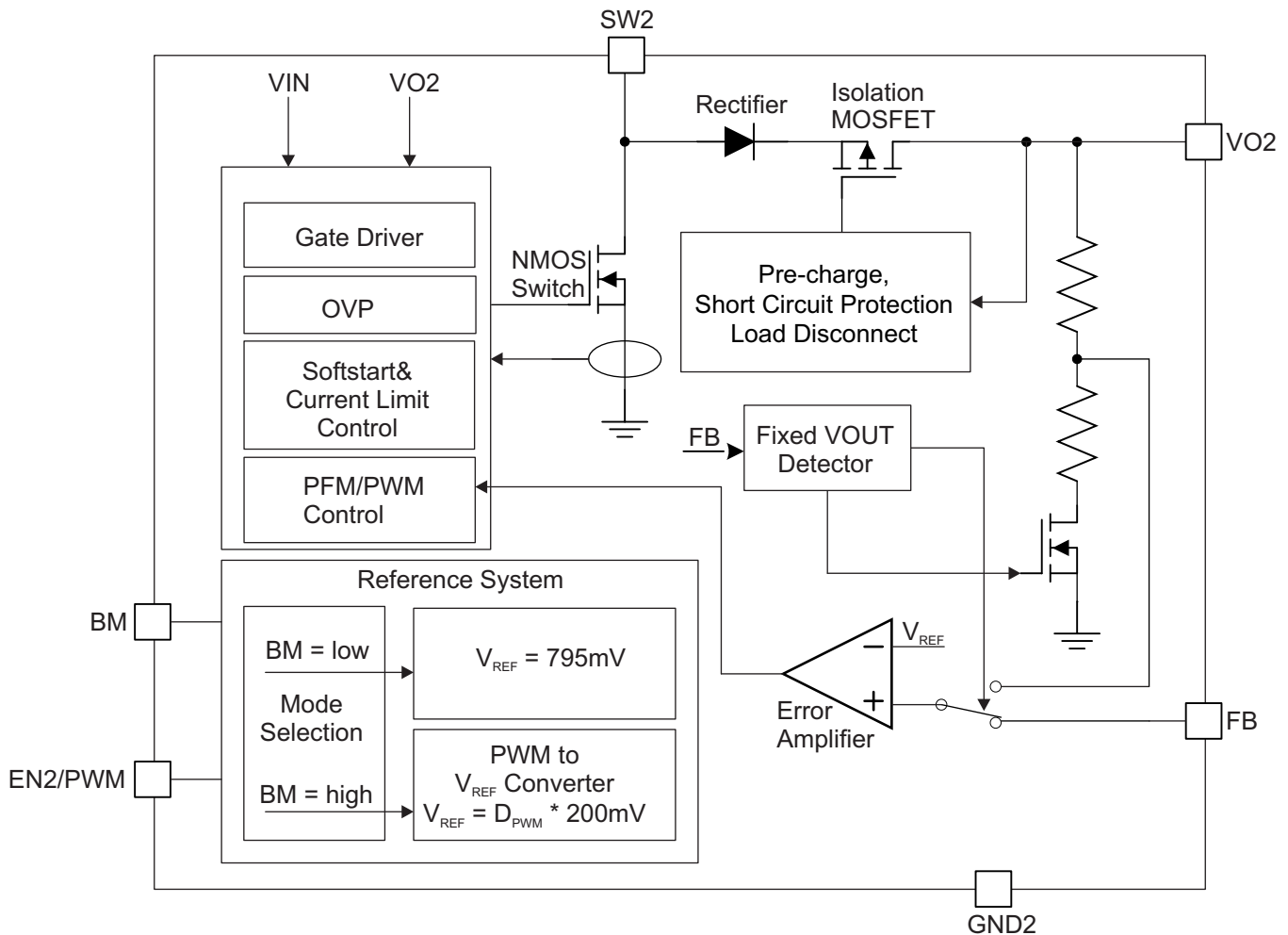
Both the VO1 pin and the LOAD pin feature a discharge circuit to connect each rail to GND, once they are disabled. This feature prevents residual charge voltages on capacitors connected to these pins, which may impact proper power up of the main- and sub-system. With CTRL pin pulled to low, the discharge circuit at the LOAD pin becomes active. With the EN pin pulled to low, the discharge circuits at both pins VO1 and Load are active. The discharge circuits of both rails VO1 and LOAD are associated with the UVLO comparator as well. Both discharge circuits become active once the input voltage VIN has dropped below the UVLO comparator threshold VTH_UVLO- and the UVLO comparator triggers.

7.3.1.5 Undervoltage Lockout UVLO

The UVLO circuit shuts down the device if the input voltage V_{IN} drops to typical 1.9V. The device will start up at an input voltage of typ. 2.1V.

7.3.1.6 Short Circuit Protection

The step-down converter integrates a current limit on the high side, as well on the low side MOSFETs to protect the device against overload or short circuit conditions. The peak current in the switches is monitored cycle by cycle. If the high side MOSFET current limit is reached, the high side MOSFET is turned off and the low side MOSFET is turned on until the switch current decreases below the low side MOSFET current limit. Once the low side MOSFET current limit trips, the low side MOSFET is turned off and the high side MOSFET turns on again.

Feature Description (接下页)
7.3.2 Step-Up Converter Device

图 5. Block Diagram Step-Up Converter

The step-up converter is designed for applications requiring voltages up to 15V from an Li-Ion battery and tiny solution size such as PMOLED displays or LED back light for small size LCD displays. The step-up converter operates in two different modes, either as constant output voltage step-up converter operating with 0.8V internal reference or as a constant output current step-up converter operating with a reduced internal reference voltage of 200mV. The block integrates power switch, input/output isolation switch, and power diode.

7.3.2.1 Under-Voltage Lockout

See section [Undervoltage Lockout UVLO](#)

7.3.2.2 Output Disconnect

One common issue with conventional step-up regulators is the conduction path from input to output even when the device is disabled. It creates three problems, which are inrush current during start-up, output leakage current during shutdown and excessive over load current. The step-up converter has an integrated isolation (load disconnect) switch, which is turned off under shutdown mode and over load conditions, thereby opening the current path to the output VO2. Thus the device can truly disconnect the load from the input voltage and minimize the leakage current during shutdown mode.

Feature Description (接下页)

7.3.2.3 12V Fixed Output Voltage

The step-up converter features an internal default 12-V output voltage setting by connecting the FB pin to the VIN pin. Therefore no external resistor divider network is required minimizing the total solution size.

7.3.2.4 Mode Selection With Pin BM

The step-up converter can operate in two different modes. With pin BM = low the device regulates to a constant output voltage, with BM = high, the device can regulate a constant output current. Further details in section [Constant-Current Step-Up Mode Operation](#) and section [Constant-Voltage Step-Up Mode Operation](#). The operation mode need to be selected before the device is enabled. The pin BM may not be changed during operation.

7.3.2.5 Output Overvoltage Protection

When the output voltage exceeds the OVP threshold of 17.7 V, the device stops switching. Once the output voltage falls 0.8 V below the OVP threshold, the device resumes operation again.

7.3.2.6 Output Short Circuit Protection

The step-up converter starts to limit the output current whenever the output voltage drops below 4 V. When the VOUT pin is shorted to ground, the output current is limited. This function protects the device from being damaged when the output is shorted to ground.

7.3.2.7 PWM to Analog Converter AT PIN EN2/PWM

In constant current step-up mode operation two control functions are associated with the pin EN2/PWM:

- a) Enable/ disable of the step-up converter
- b) PWM to analog conversion to scale the internal reference voltage.

The internal reference voltage scales proportional with the duty cycle of the PWM signal applied at the pin EN2/PWM. More details in section [Constant-Current Step-Up Mode Operation](#).

7.4 Device Functional Modes

7.4.1 Step-Down Converter

7.4.1.1 Enable and Shutdown

The step-down converter is turned on with EN1 = high. With EN1 = low the step-down converter is turned off. This pin must be terminated.

7.4.1.2 Power Save Mode Operation

At light loads, the device operates in Power Save Mode. The switching frequency varies linearly with the load current. In Power Save Mode the device operates in PFM (Pulse Frequency Modulation) that generates a single switching pulse to ramp up the inductor current and recharges the output capacitor, followed by a sleep period where most of the internal circuits are shutdown to achieve lowest operating quiescent current. During this time, the load current is supported by the output capacitor. The duration of the sleep period depends on the load current and the inductor peak current. During the sleep periods, the current consumption is reduced to 360 nA. This low quiescent current consumption is achieved by an ultra low power voltage reference, an integrated high impedance feedback divider network and an optimized Power Save Mode operation.

7.4.1.3 PWM Mode Operation

At moderate to heavy load currents, the device operates in PWM mode with continuous conduction. The switching frequency is up to 1.6 MHz with a controlled frequency variation depending on the input voltage and load current. If the load current decreases, the converter seamlessly enters Power Save Mode to maintain high efficiency down to very light loads.

Device Functional Modes (接下页)

7.4.1.4 Device Start-up and Soft Start

The step-down converter has an internal soft start to minimize inrush current and input voltage drop during start-up. Once the device is enabled the device starts switching after a typical delay time of 1 ms. Then the soft start time of typical 700 μ s begins with a reduced current limit of typical 150mA. When this time expires the device enters full current limit operation.

7.4.1.5 Automatic Transition Into 100% Mode

Once the input voltage comes close to the output voltage, the DC/DC converter stops switching and enters 100% duty cycle operation. It connects the output V_{OUT} via the inductor and the internal high side MOSFET switch to the input V_{IN} , once the input voltage V_{IN} falls below the 100% mode enter threshold, V_{TH_100-} . The DC/DC regulator is turned off, switching stops and therefore no output voltage ripple is generated. Because the output is connected to the input, the output voltage follows the input voltage minus the voltage drop across the internal high side switch and the inductor. Once the input voltage increases and trips the 100% mode exit threshold, V_{TH_100+} , the DC/DC regulator turns on and starts switching again.

7.4.2 Step-Up Converter

7.4.2.1 Enable and Shutdown

The device is turned on with EN2/PWM = high. With EN2/PWM = low the device enters shutdown mode. In constant current step-up mode (BM = high) the pin EN2/PWM has to be pulled to low level for longer than $t_{Dim_Off\ max}$ to enter shutdown mode. This pin must be terminated.

7.4.2.2 Soft Start

The step-up converter begins soft start when the EN2/PWM pin is pulled high. At the beginning of the soft start period, the isolation FET is turned on slowly to charge the output capacitor with 30-mA current for about 6 ms. This is called the pre-charge phase. The output is charged up to the level of the input voltage V_{IN} . After the pre-charge phase, the device starts switching and the output voltage ramps up. This is called switching soft start phase. An internal soft start circuit limits the peak inductor current.

7.4.2.3 Power Save Mode

The step-up converter integrates a power save mode with pulse frequency modulation (PFM) to improve efficiency at light load. When the load current decreases, the inductor peak current set by the output of the error amplifier declines to regulate the output voltage. When the inductor peak current hits the low limit of 240 mA, the output voltage will exceed the set voltage as the load current decreases further. The device enters power save mode once the FB voltage exceeds the PFM mode threshold, which is 1% above the nominal output voltage. It stops switching, the load is supplied by the output capacitor and the output voltage begins to decline. When the FB voltage falls below the PFM mode threshold voltage, the device starts switching again to ramp up the output voltage.

Device Functional Modes (接下页)

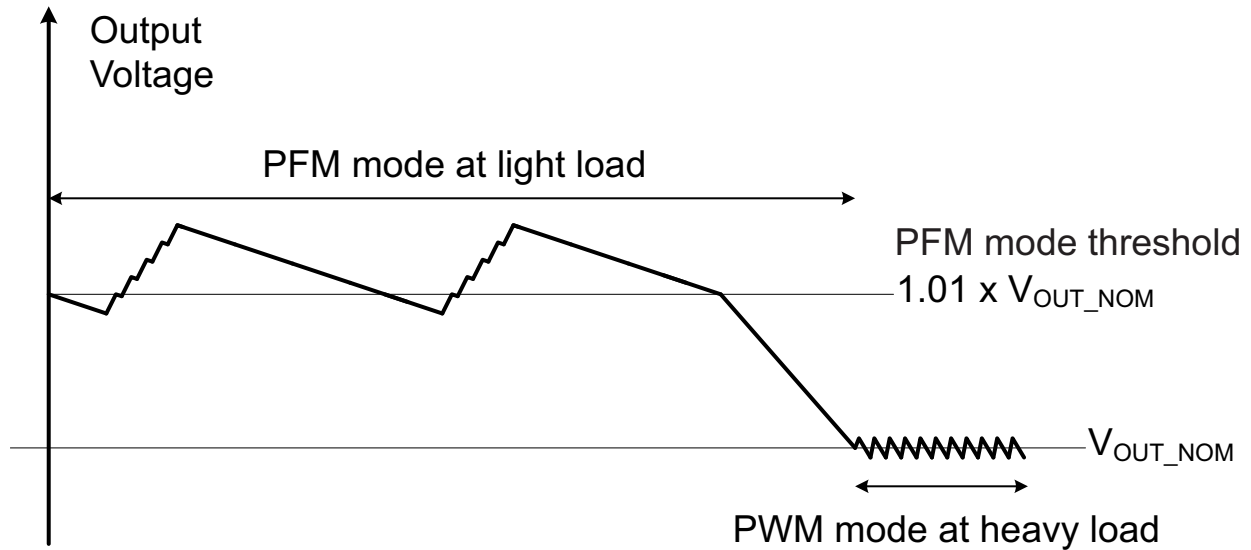


图 6. Output Voltage in PFM and PWM Mode

7.4.2.4 PWM Mode

The step-up converter uses a quasi-constant 1.0-MHz frequency pulse width modulation (PWM) at moderate to heavy load current. Based on the input voltage to output voltage ratio, a circuit predicts the required off-time. At the beginning of the switching cycle, the NMOS switching FET is turned on. The input voltage is applied across the inductor and the inductor current ramps up. In this phase, the output capacitor is discharged by the load current. When the inductor current hits the current threshold that is set by the output of the error amplifier, the PWM switch is turned off, and the power diode is forward-biased. The inductor transfers its stored energy to charge the output capacitor and supply the load. When the off-time is expired, the next switching cycle starts again. The error amplifier compares the FB pin voltage with an internal reference voltage, and its output determines the inductor peak current.

7.4.2.5 Constant-Current Step-Up Mode Operation

With pin BM = high the converter can regulate to a constant output current. The internal reference voltage is therefore reduced to 200mV. In order to regulate a constant output current, a sense resistor has to be connected between pin FB and GND, see 图 7. The device features in this operation mode a PWM to analog converter at pin EN2/PWM. The internal reference voltage is scaled according to the duty cycle of the PWM signal applied to pin EN2/PWM, see 图 8. When the pin EN2/PWM is pulled low longer than $t_{Dim_OFF\ max}$, the step-up converter enters shutdown mode. The constant output current I_{OUT2} can be calculated according equations 公式 1 and 公式 2.

Device Functional Modes (接下页)

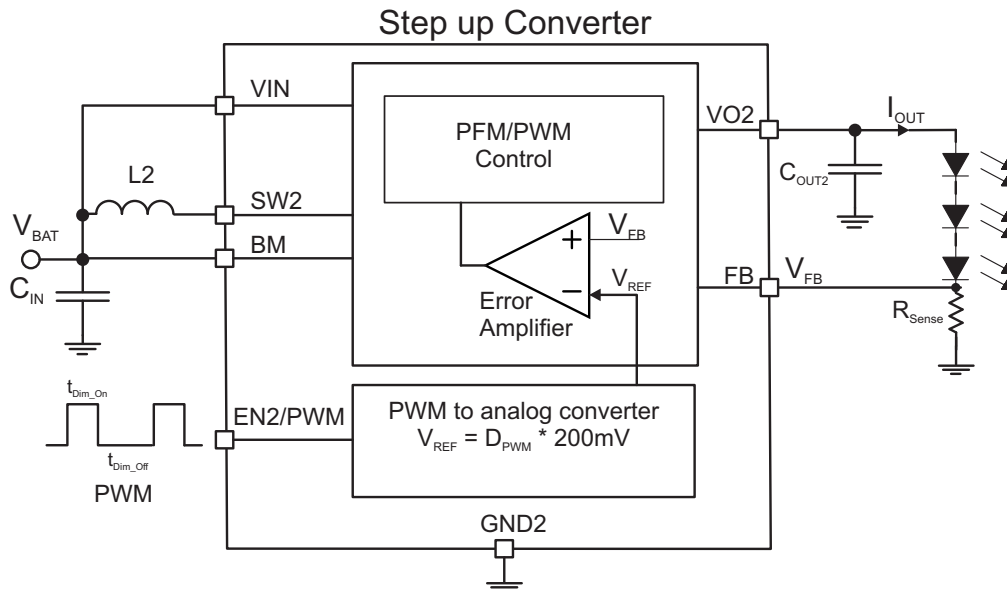


图 7. Step-Up Converter in Constant-Current Operation Mode

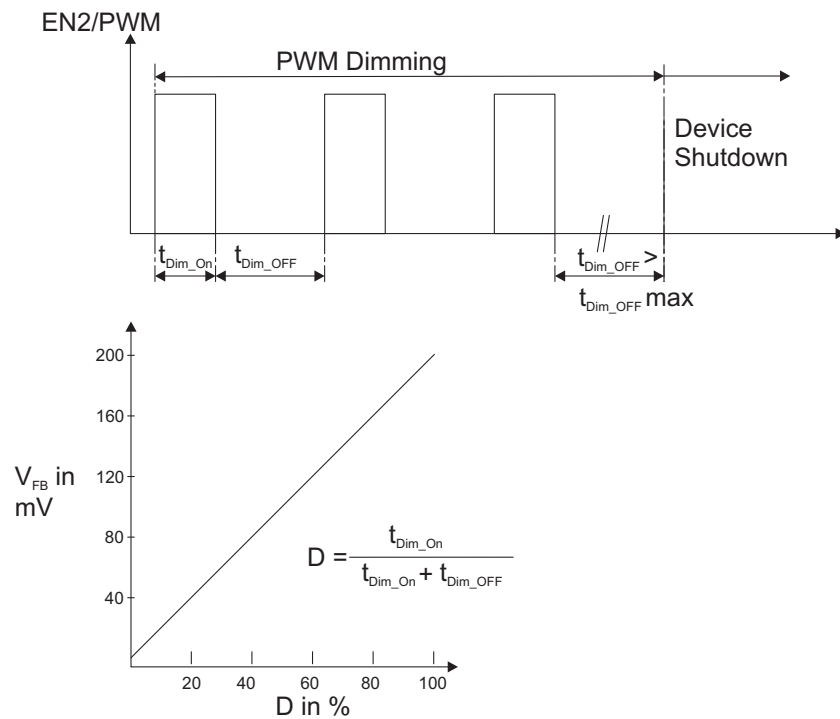


图 8. EN2/PWM Pin Function

$$I_{OUT2} = \frac{V_{FB}}{R_{Sense}} \tag{1}$$

$$I_{OUT2} = D_{PWM} \times \frac{200mV}{R_{Sense}} \tag{2}$$

Device Functional Modes (接下页)

7.4.2.6 Constant-Voltage Step-Up Mode Operation

With pin BM = low the converter operates as a constant output voltage step-up converter. The internal reference voltage is set to 795 mV. A feedback resistor divider need to be connected between VOUT, FB and GND with its tap point connected to FB pin. The device provides a fixed set 12 V output voltage if the FB pin is connected to VIN. In this case no external resistor divider network is needed.

8 Application and Implementation

注

Information in the following applications sections is not part of the TI component specification, and TI does not warrant its accuracy or completeness. TI's customers are responsible for determining suitability of components for their purposes. Customers should validate and test their design implementation to confirm system functionality.

8.1 Application Information

The TPS62770 is a tiny power solution for wearable applications including a 370nA ultra low Iq step-down converter, a slew rate controlled load switch and a dual mode step-up converter. The output voltage of the step-down converter can be selected between 1.0V and 3.0V. The output voltage can be changed during operation. In shutdown mode, the output of the step-down converter is pulled to GND. The integrated load switch is internally connected to the output of the step-down converter and features slew rate control during turn on phase. Once turned off, its output is connected to GND.

The dual mode step-up converter can generate a constant output voltage up to 15V, e.g. for PMOLED supply, or a constant output current, e.g. for LED back light supply. The output voltage can be adjusted up to 15V with external resistors, or set to fixed 12V by connecting the FB pin to VIN. The device features an internal over voltage protection of 17V in case the FB node is left open or tight to GND. It includes an internal rectifier and load disconnect function. When used as constant output current driver, the device offers a PWM to analog converter to scale down the reference voltage according to the duty cycle of the PWM signal.

8.2 Typical Application

8.2.1 System and PMOLED Supply

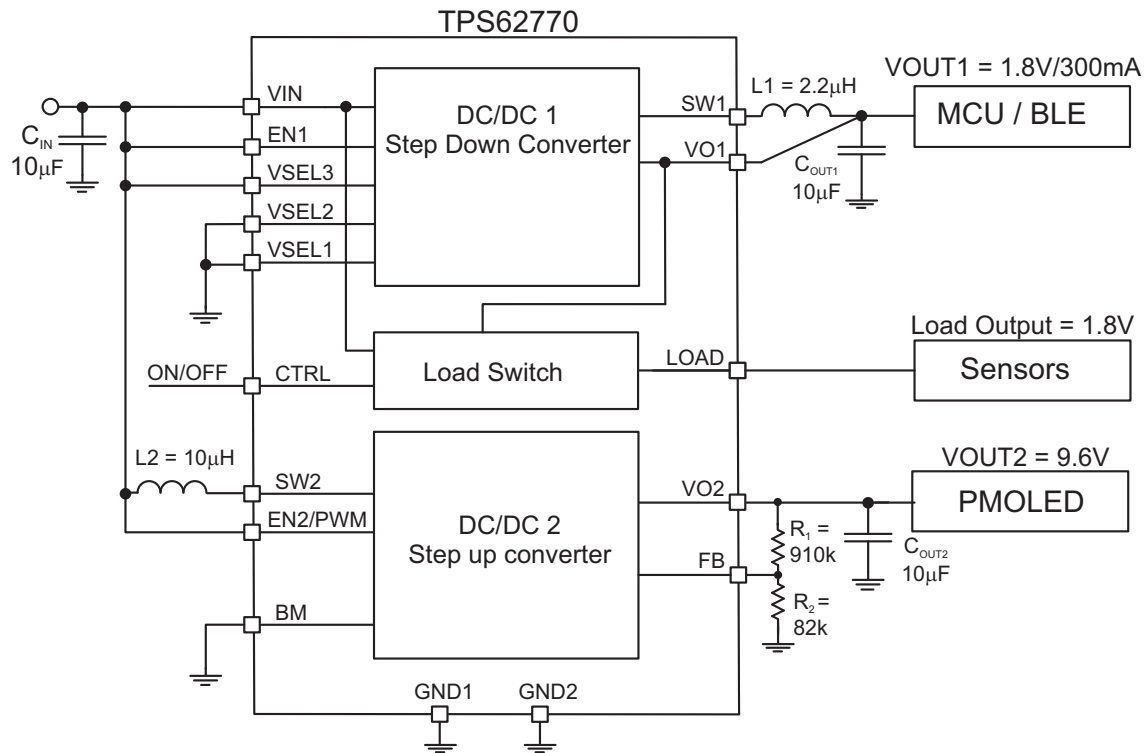


图 9. Step-Up Converter with Adjustable Output Voltage

Typical Application (接下页)

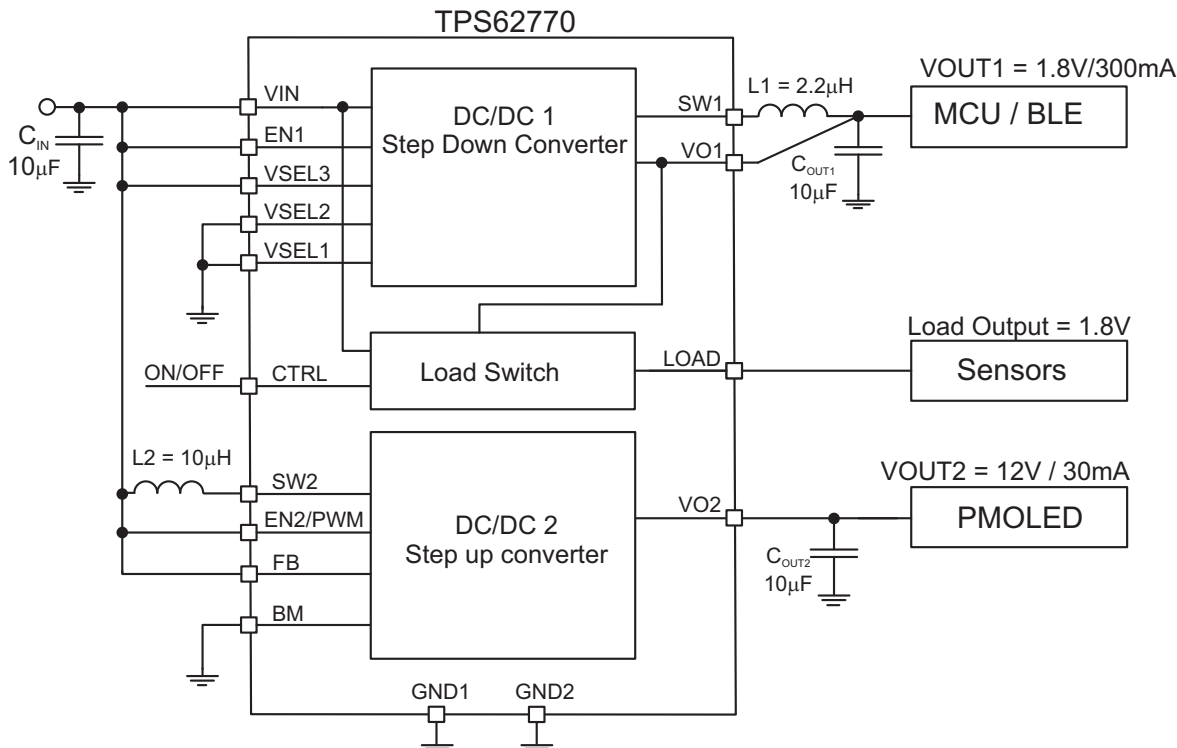


图 10. Step-Up Converter with Fixed 12-V Output

8.2.1.1 Design Requirements

The device is supplied by an input voltage between 2.5V and 5.5V. In wearable personal electronics this is usually a rechargeable Li-Ion battery / USB port. The step-down converter supplies the system (MCU/BLE radio). In order to supply a PMOLED display, the step-up converter must be configured to operate in constant output voltage mode with BM pin tied to GND before the step-up converter is enabled. Ideally the BM pin is hardwired to GND. The output voltage of the step-up converter is either set by an external resistor divider network (R1/R2), shown in 图 9. The step-up converter supports an internally fixed 12V output voltage by connecting the FB pin to VIN, shown in 图 10.

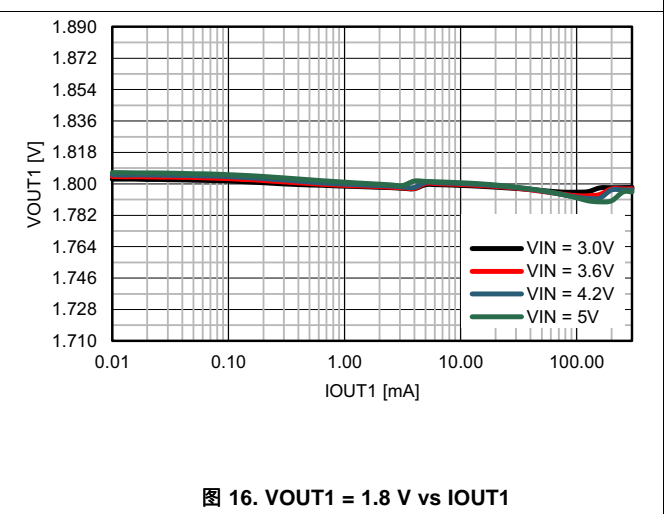
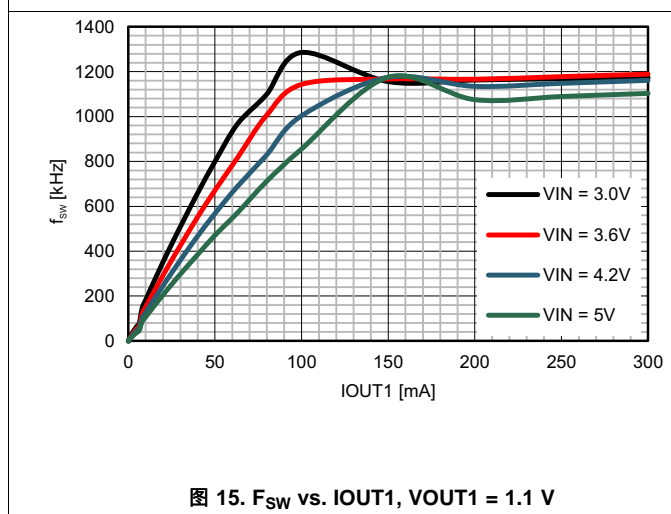
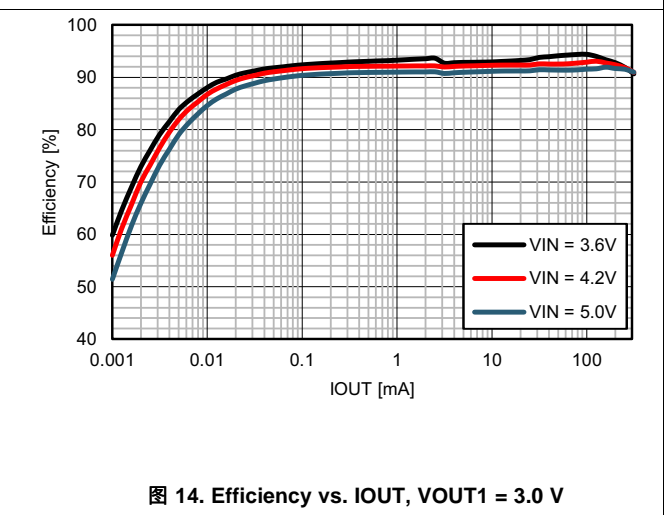
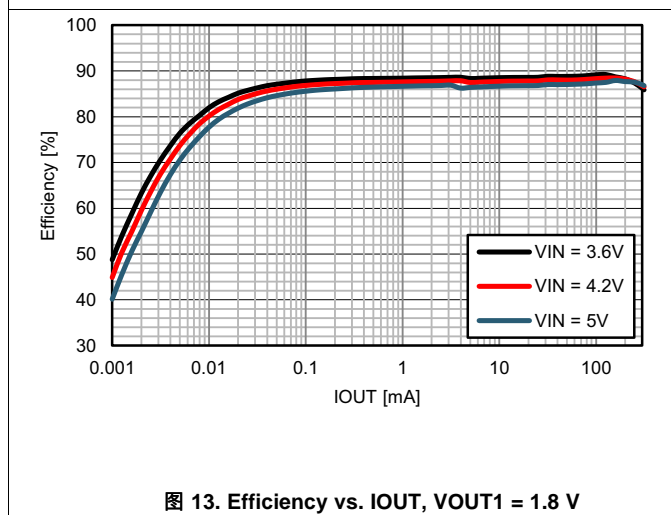
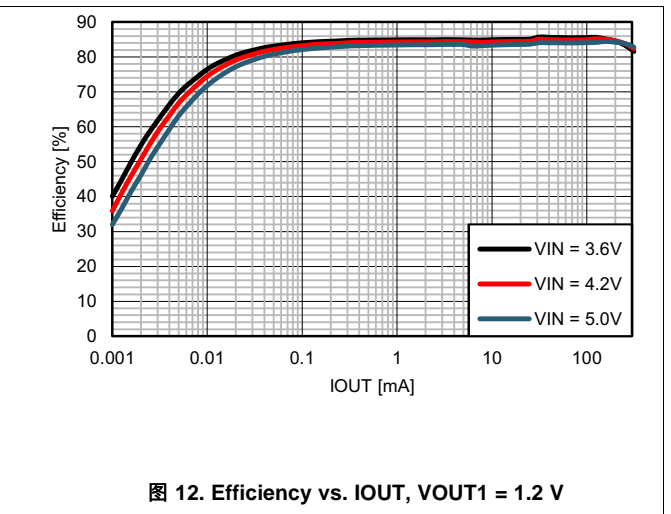
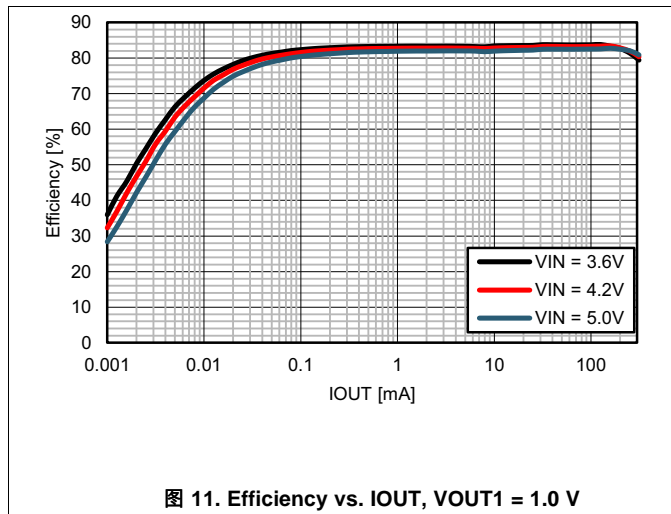
The LOAD output is internally connected to the output of the buck regulator and can supply a sensor or a sub-system, which are temporarily used. In order to achieve better supply voltage decoupling / noise reduction a capacitor can be connected on the LOAD output.

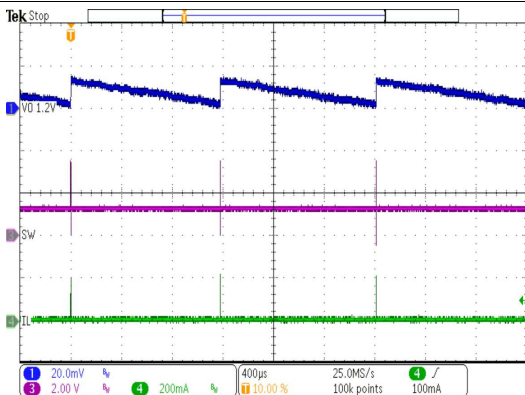
The design guideline provides a component selection to operate the device within the recommended operating conditions. 表 2 shows the components used for the application characteristic curves.

表 2. Components for Application Characteristic Curves

REFERENCE	DESCRIPTION	VALUE	PACKAGE CODE / SIZE [mm x mm x mm]	MANUFACTURER
CIN	Ceramic capacitor X5R 6.3V, GRM155R60J106ME11	10 µF	0402 / 1.0 x 0.5 x 0.5	Murata
COU1	Ceramic capacitor X5R 6.3V, GRM155R60J106ME11	10 µF	0402 / 1.0 x 0.5 x 0.5	Murata
COU2	Ceramic capacitor X5R 25V, GRM188R61E106MA73	10 uF	0603 / 1.6 x 0.8 x 0.8	Murata
L1	Inductor DFE201610C	2.2 µH	2.0 x 1.6 x 1.0	Toko
L2	Inductor VLS302515	10 µH	3.0 x 2.5 x 1.5	TDK

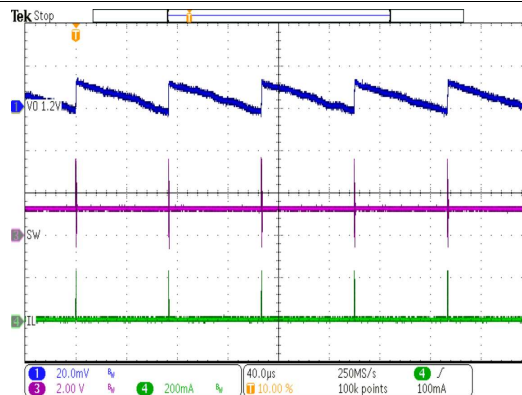
8.2.1.2 Application Curves Step-Down Converter





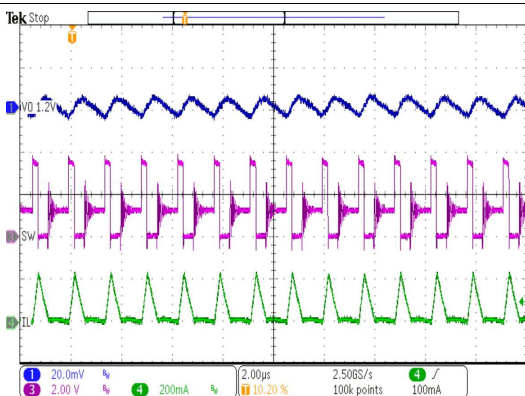
$V_{IN} = 3.6V$ $I_{OUT} = 50 \mu A$
 $V_{OUT} = 1.2V$

图 17. Typical Operation in Power Save Mode



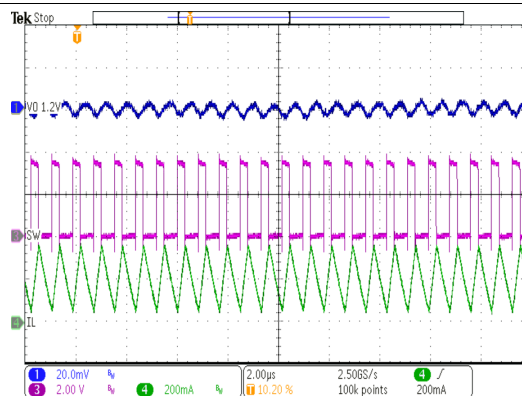
$V_{IN} = 3.6V$ $I_{OUT} = 1 mA$
 $V_{OUT} = 1.2V$

图 18. Typical Operation in Power Save Mode



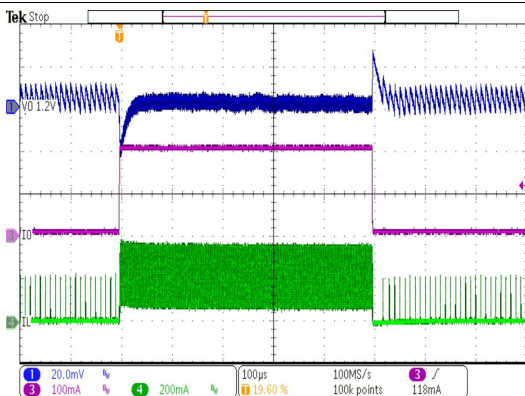
$V_{IN} = 3.6V$ $I_{OUT} = 50 mA$
 $V_{OUT} = 1.2V$

图 19. Typical Operation in Power Save Mode



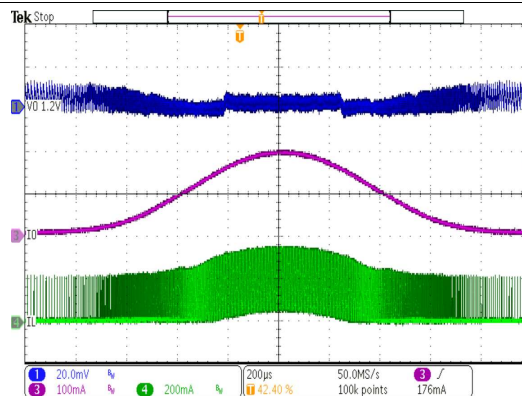
$V_{IN} = 3.6V$ $I_{OUT} = 200 mA$
 $V_{OUT} = 1.2V$

图 20. Typical Operation in PWM Mode



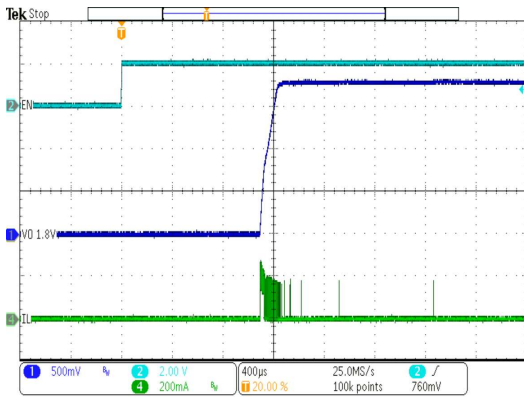
$V_{IN} = 3.6V$ $I_{OUT} = 5mA \text{ to } 200mA$
 $V_{OUT} = 1.2V$ $1 \mu s \text{ rise/fall time}$

图 21. Load Transient Performance



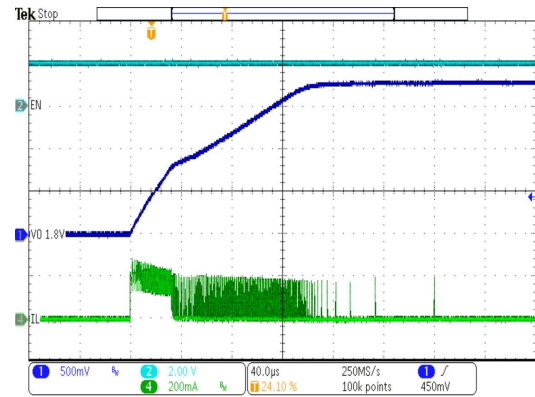
$V_{IN} = 3.6V$ $I_{OUT} = 5mA \text{ to } 200mA$
 $V_{OUT} = 1.2V$ sinusoidal I_{OUT} sweep

图 22. AC Load Regulation Performance



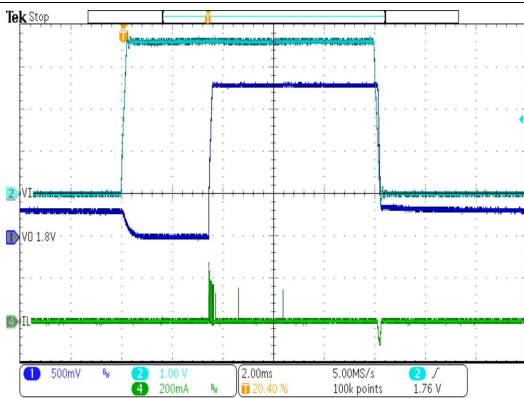
$V_{IN} = 3.6V$
 $V_{OUT} = 1.8V$
 $I_{OUT} = 0mA$

图 23. Startup After EN High



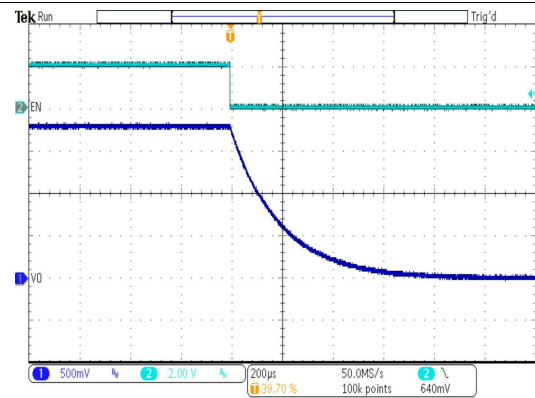
$V_{IN} = 3.6V$
 $V_{OUT} = 1.8V$
 $I_{OUT} = 0mA$
 EN altered from low to high

图 24. V_{OUT} Ramp Up



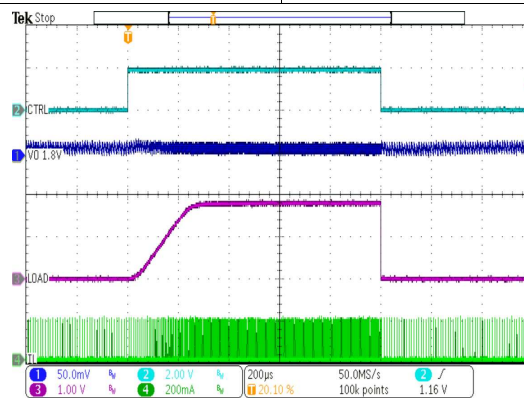
$V_{IN} = 0V$ to $3.6V$
 in $100\mu s$
 $V_{OUT} = 1.8V$
 $I_{OUT} = 0mA$
 $EN = V_{IN}$

图 25. V_{IN} Ramp Up/Down



$V_{IN} = 3.6V$
 $V_{OUT} = 1.8V$
 $I_{OUT} = 0mA$

图 26. Output Discharge



$V_{IN} = 3.6V$
 $V_{OUT} = 1.8V$
 $I_{OUT1} = 5mA$
 $R_{LOAD} = 150\Omega$

图 27. Output Load Enable/Disable

8.2.1.3 Application Curves Step-Up Converter Constant 12 V/15 V Output Voltage

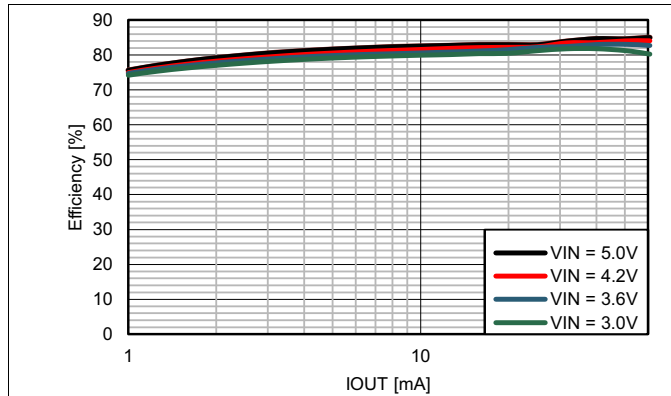


图 28. Efficiency vs. IOUT, VOUT = 15V

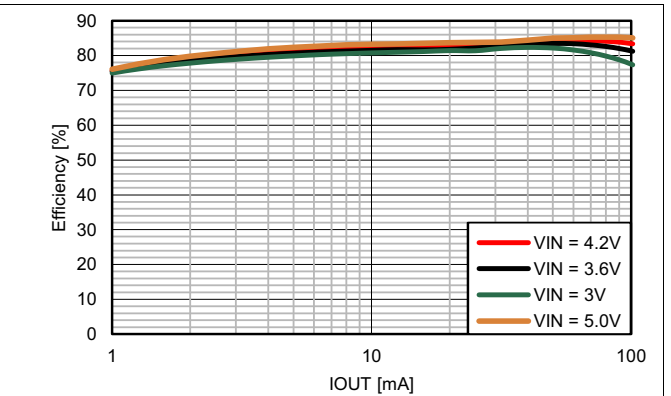


图 29. Efficiency vs. IOUT, VOUT = 12V

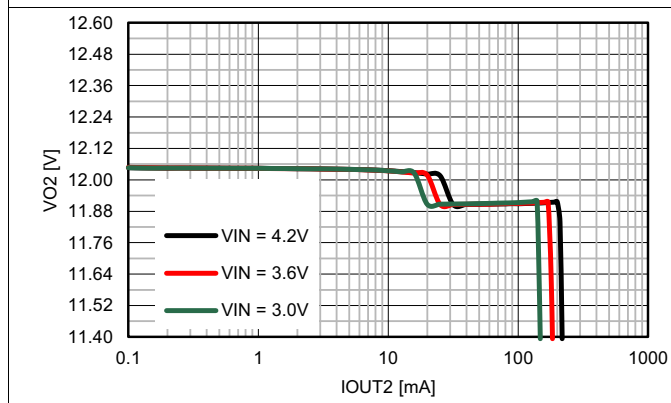
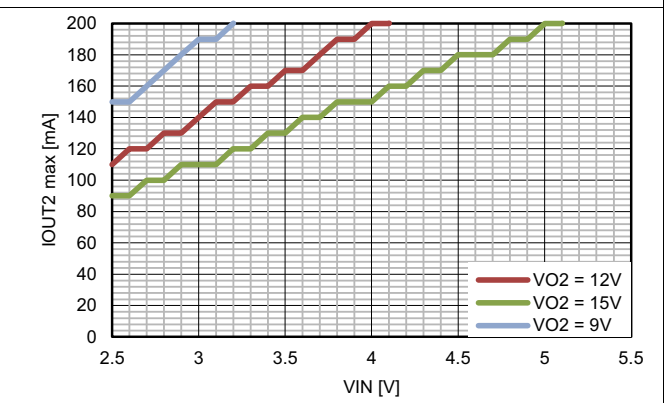


图 30. VOUT2 = 12V vs IOUT2



TA = 25°C
 L = 10μH
 typical switch current limit I_{LIM_SW}
 $I_{OUT2\ max}$ @ -3% VOUT drop
 COUT2 = 2x 10μF

图 31. Maximum Output Current vs VIN for Typical I_{LIM_SW}

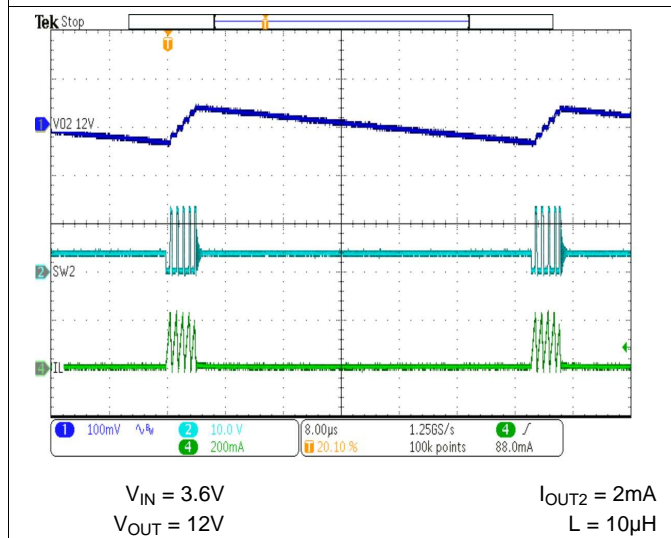


图 32. Typical Operation PFM Mode

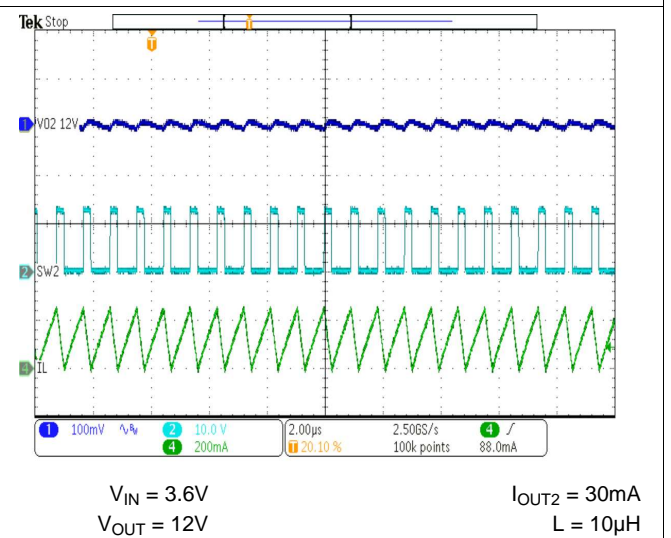
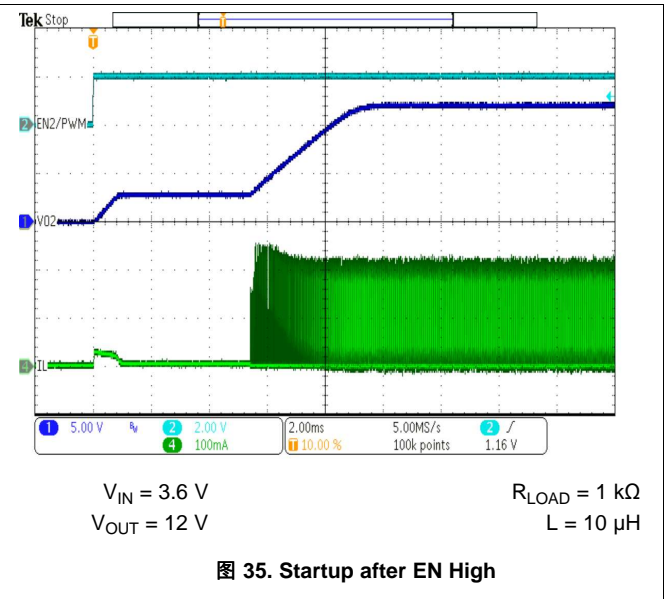
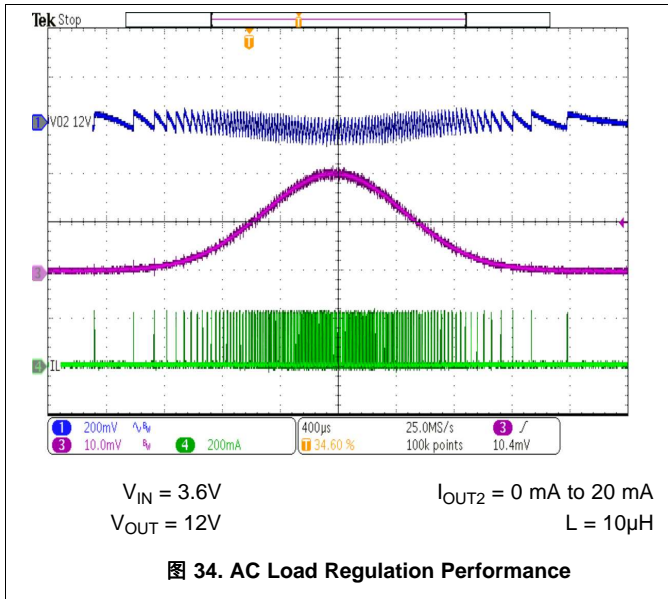


图 33. Typical Operation PWM Mode

TPS62770

ZHCSEV1A – FEBRUARY 2016 – REVISED MARCH 2016

www.ti.com.cn



8.2.2 Step-Up Converter with 5-V Output Voltage

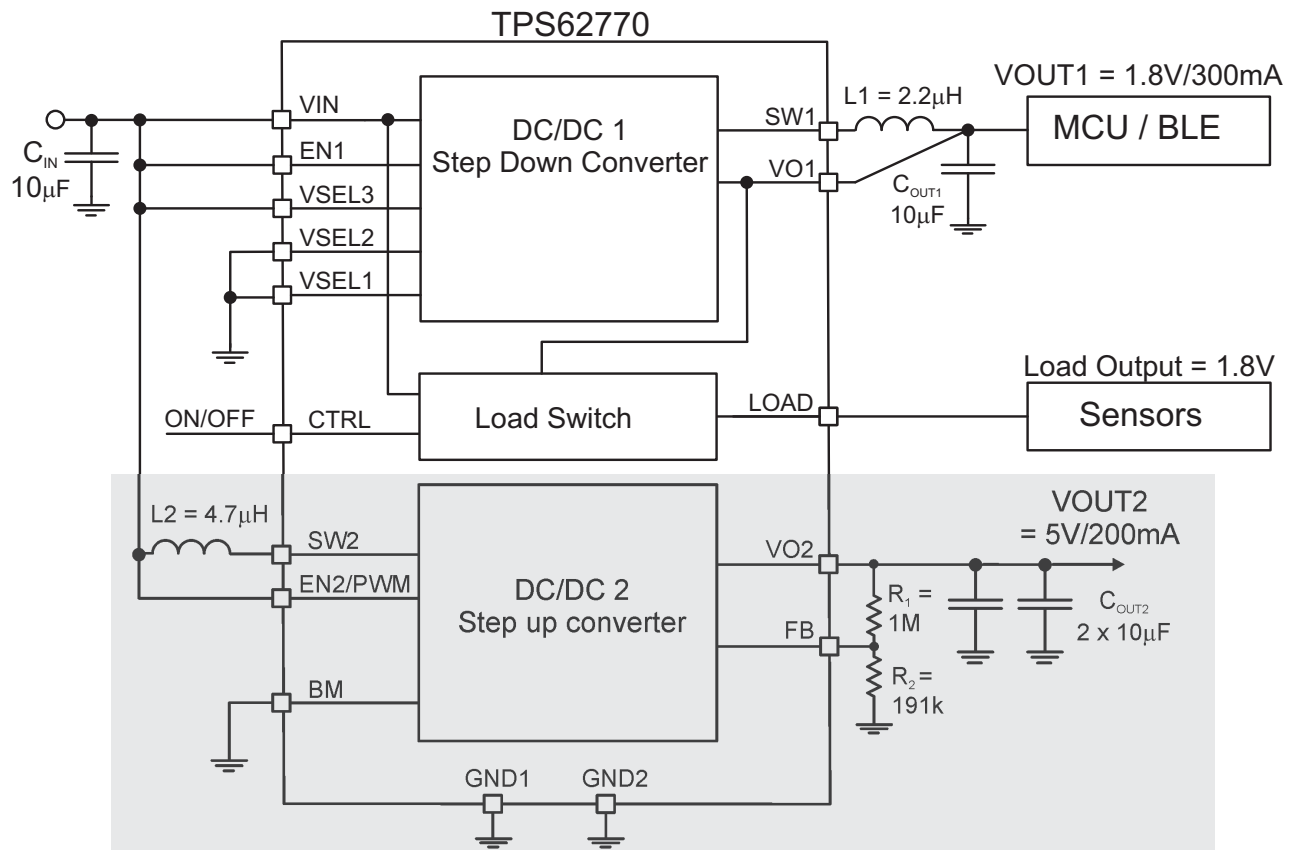


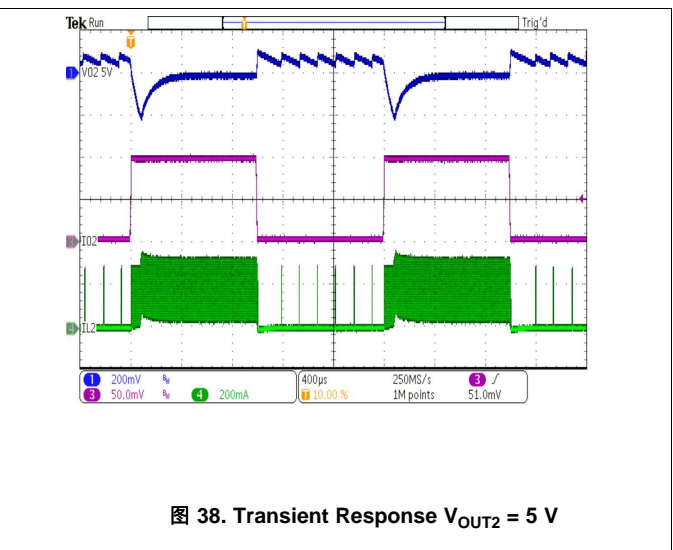
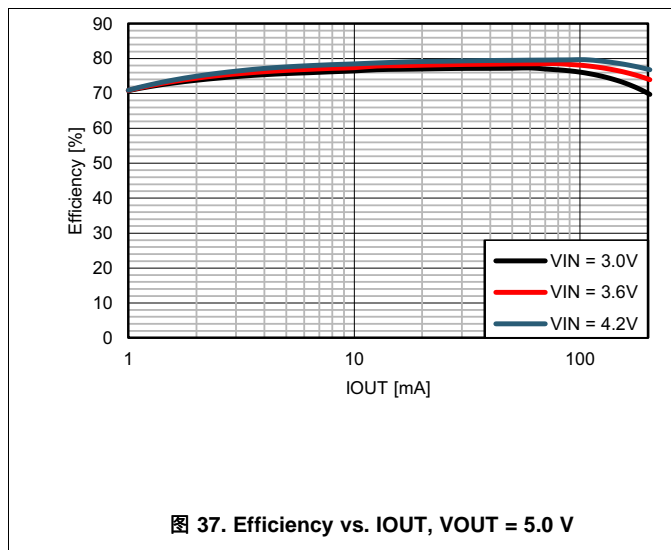
图 36. Step-Up Converter Providing 5-V V_{OUT2}

8.2.2.1 Design Requirements

表 3. Components for Application Characteristic Curves

REFERENCE	DESCRIPTION	VALUE	PACKAGE CODE / SIZE [mm x mm x mm]	MANUFACTURER
CIN	Ceramic capacitor X5R 6.3V, GRM155R60J106ME11	10 μ F	0402 / 1.0 x 0.5 x 0.5	Murata
COU2 (2x)	Ceramic capacitor X5R 25V, GRM188R61E106MA73	10 μ F	0603 / 1.6 x 0.8 x 0.8	Murata
L2	Inductor VLS302515	4.7 μ H	3.0 x 2.5 x 1.5	TDK

8.2.2.2 Application Curves



8.2.3 Step-Up Converter Operating with Constant Output Current

The step-up converter device can be configured to operate as a constant current driver e.g. to power 3 to 4 white LED's in a string. The current through the string is set by the sense resistor R_{Sense} as shown in 图 39 To minimize the losses in the sense resistor, the device features a 200mV internal reference. This section describes an application delivering 10mA through an LED string with 4 LED's which is suitable for small display used in wearable applications.

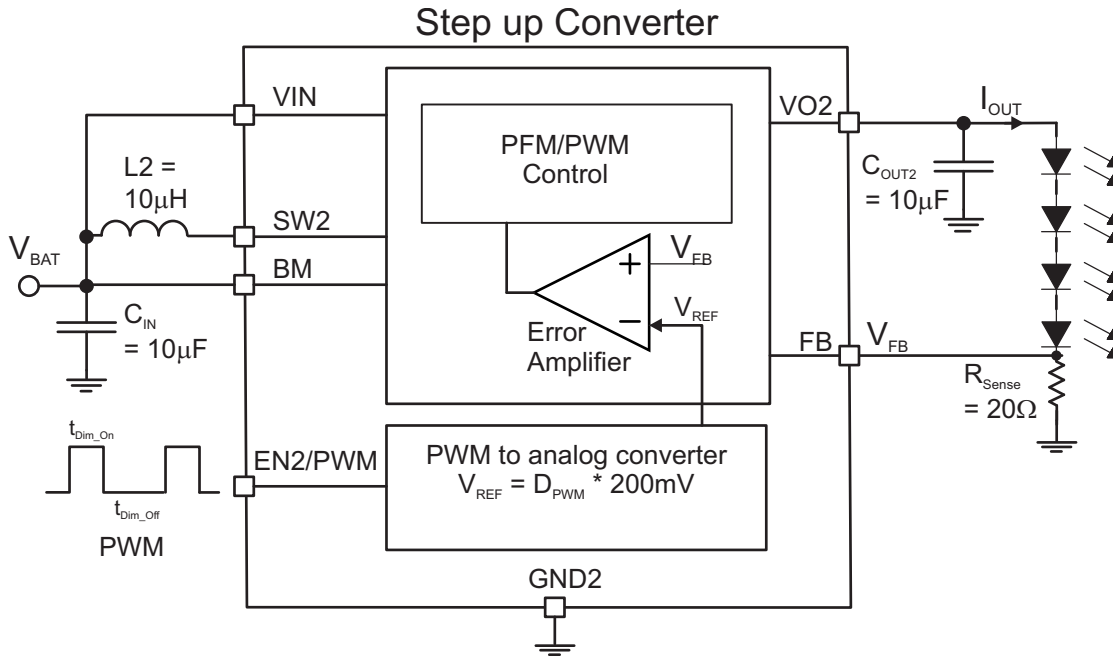


图 39. Step-Up Converter with Constant Output Current - Simplified Block Diagram

8.2.3.1 Design Requirements

The Sense resistor to set the maximum output current can be calculated according to 公式 3 The output current I_{OUT2} can be reduced by applying a PWM signal at pin EN2/PWM according to 公式 4

$$R_{Sense} = \frac{200\text{ mV}}{I_{OUT2}} \tag{3}$$

$$I_{OUT2} = D_{PWM} \times \frac{200\text{ mV}}{R_{Sense}} \tag{4}$$

Where:

R_{Sense} = sense resistor in [Ω]

I_{OUT2} = output current in [mA]

D_{PWM} = Dutycycle of the PWM signal at pin EN2/PWM

表 4. Components for Application Characteristic Curves

REFERENCE	DESCRIPTION	VALUE	PACKAGE CODE / SIZE [mm x mm x mm]	MANUFACTURER
CIN	Ceramic capacitor X5R 6.3V, GRM155R60J106ME11	10 μ F	0402 / 1.0 x 0.5 x 0.5	Murata
COUT2	Ceramic capacitor X5R 25V, GRM188R61E106MA73	10 μ F	0603 / 1.6 x 0.8 x 0.8	Murata
L2	Inductor VLS302515	10 μ H	3.0 x 2.5 x 1.5	TDK
D1-D4	LED LTW-E670DS	n/a		Lite ON

8.2.3.2 Detailed Design Procedure

8.2.3.2.1 Setting The Output Voltage Of The Step-Down Converter

The output voltage is set with the VSEL1-3 pins according to [Table 1](#). No further external components are required.

8.2.3.2.2 Programming the Output Voltage Of The Step-Up Converter

There are two ways to set the output voltage of the step-up converter. When the FB pin is connected to the input voltage, the output voltage is fixed to 12 V. This function reduces the external components to minimize the solution size. The second way is to use an external resistor divider to set the desired output voltage.

By selecting the external resistor divider R1 and R2, as shown in [公式 5](#), the output voltage is programmed to the desired value. When the output voltage is regulated, the typical voltage at the FB pin is V_{REF} of 795 mV.

$$R1 = \left(\frac{V_{OUT}}{V_{REF}} - 1 \right) \times R2 \quad (5)$$

Where:

V_{OUT} is the desired output voltage

V_{REF} is the internal reference voltage at the FB pin

8.2.3.2.3 Recommended LC Output Filter

表 5. Recommended LC Output Filter Combinations for the Step-Down Converter

INDUCTOR VALUE [μ H] ⁽¹⁾	OUTPUT CAPACITOR VALUE [μ F] ⁽²⁾	
	10 μ F	22 μ F
2.2	$\sqrt{(3)}$	$\sqrt{}$

- (1) Inductor tolerance and current de-rating is anticipated. The effective inductance can vary by 20% and -30%.
- (2) Capacitance tolerance and bias voltage de-rating is anticipated. The effective capacitance can vary by 20% and -50%.
- (3) This LC combination is the standard value and recommended for most applications.

表 6. Recommended LC Output Filter Combinations for Step-Up Converter

INDUCTOR VALUE [μ H] ⁽¹⁾	VOUT	IOUT	OUTPUT CAPACITOR VALUE [μ F] ⁽²⁾	
			10 μ F	2 x 10 μ F
10	9 V – 15 V	(IOUT \leq 30 mA)	$\sqrt{(3)}$	$\sqrt{}$
		(IOUT \leq 100 mA)		$\sqrt{(3)}$
4.7	5 V	(IOUT \leq 200 mA)		$\sqrt{(3)}$

- (1) Inductor tolerance and current de-rating is anticipated. The effective inductance can vary by 20% and -30%.
- (2) Capacitance tolerance and bias voltage de-rating is anticipated. The effective capacitance can vary by 20% and -50%.
- (3) This LC combination is the standard value and recommended for most applications.

8.2.3.2.4 Inductor Selection Step-Down Converter

The inductor value affects its peak-to-peak ripple current, the PWM-to-PFM transition point, the output voltage ripple and the efficiency. The selected inductor has to be rated for its DC resistance and saturation current. The inductor ripple current (ΔI_L) decreases with higher inductance and increases with higher V_{IN} or V_{OUT} and can be estimated according to [公式 6](#).

[公式 7](#) calculates the maximum inductor current under static load conditions. The saturation current of the inductor should be rated higher than the maximum inductor current, as calculated with [公式 7](#). This is recommended because during a heavy load transient the inductor current rises above the calculated value. A more conservative way is to select the inductor saturation current above the high-side MOSFET switch current limit, I_{LIMF} .

$$\Delta I_L = V_{out} \times \frac{1 - \frac{V_{out}}{V_{in}}}{L \times f} \quad (6)$$

$$I_{Lmax} = I_{outmax} + \frac{\Delta I_L}{2} \quad (7)$$

With:

f = Switching Frequency

L = Inductor Value

ΔI_L = Peak to Peak inductor ripple current

I_{Lmax} = Maximum Inductor current

In DC/DC converter applications, the efficiency is essentially affected by the inductor AC resistance (i.e. quality factor) and by the inductor DCR value. Increasing the inductor value produces lower RMS currents, but degrades transient response. For a given physical inductor size, increased inductance usually results in an inductor with lower saturation current.

The total losses of the coil consist of both the losses in the DC resistance (R_{DC}) and the following frequency-dependent components:

- The losses in the core material (magnetic hysteresis loss, especially at high switching frequencies)
- Additional losses in the conductor from the skin effect (current displacement at high frequencies)
- Magnetic field losses of the neighboring windings (proximity effect)
- Radiation losses

8.2.3.2.5 Inductor Selection Step-Up Converter

The step-up converter is optimized to work with an inductor values of 10 μ H. Follow [公式 8](#) to [公式 10](#) to calculate the inductor's peak current for the application. To calculate the current in the worst case, use the minimum input voltage, maximum output voltage, and maximum load current of the application. To have enough design margin, choose the inductor value with -30% tolerance, and a low power-conversion efficiency for the calculation.

In a step-up regulator, the inductor dc current can be calculated with [公式 8](#).

$$I_{L(DC)} = \frac{V_{OUT} \times I_{OUT}}{V_{IN} \times \eta} \quad (8)$$

Where:

V_{OUT} = output voltage

I_{OUT} = output current

V_{IN} = input voltage

η = power conversion efficiency, use 80% for most applications

The inductor ripple current is calculated with the [公式 9](#) for an asynchronous step-up converter in continuous conduction mode (CCM).

$$\Delta I_{L(P-P)} = \frac{V_{IN} \times (V_{OUT} + 0.8V - V_{IN})}{L \times f_{SW} \times (V_{OUT} + 0.8V)} \quad (9)$$

Where:

$\Delta I_{L(P-P)}$ = inductor ripple current

L = inductor value

f_{SW} = switching frequency

V_{OUT} = output voltage

V_{IN} = input voltage

Therefore, the inductor peak current is calculated with [公式 10](#).

$$I_{L(P)} = I_{L(DC)} + \frac{\Delta I_{L(P-P)}}{2} \quad (10)$$

The following inductor series from different suppliers have been used:

表 7. List Of Inductors

CONVERTER	INDUCTANCE [μ H]	DIMENSIONS [mm^3]	INDUCTOR TYPE	SUPPLIER ⁽¹⁾
Step-down	2.2	2.9 x 1.6 x 1.0	DFE201610C	TOKO
	2.2	2.0 x 1.25 x 1.0	MIPSZ2012D 2R2	FDK
	2.2	2.0 x 1.2 x 1.0	MDT2012CH2R 2	TOKO
Step-up	10	2.0x1.6x1.2	VLS201610	TDK
	10	3.0 x 2.5 x 1.5	VLS302515	TDK
	4.7	3.0 x 2.5 x 1.5	VLS302515	TDK
	4.7	2.0 x 1.6 x 1.5	VLS201612	TDK

(1) See [Third-party Products Disclaimer](#)

8.2.3.2.6 DC/DC Input and Output Capacitor Selection

Ceramic capacitors with low ESR values have the lowest output voltage ripple and are recommended. The output capacitor requires either an X7R or X5R dielectric. Y5V and Z5U dielectric capacitors, aside from their wide variation in capacitance over temperature, become resistive at high frequencies. At light load currents, the converter operates in Power Save Mode and the output voltage ripple is dependent on the output capacitor value and the PFM peak inductor current. A 10 μ F ceramic capacitor is recommended as input capacitor.

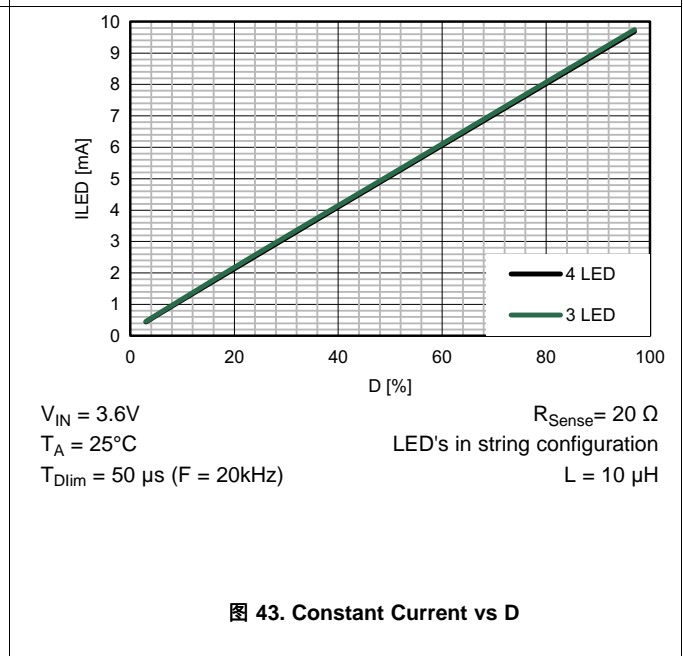
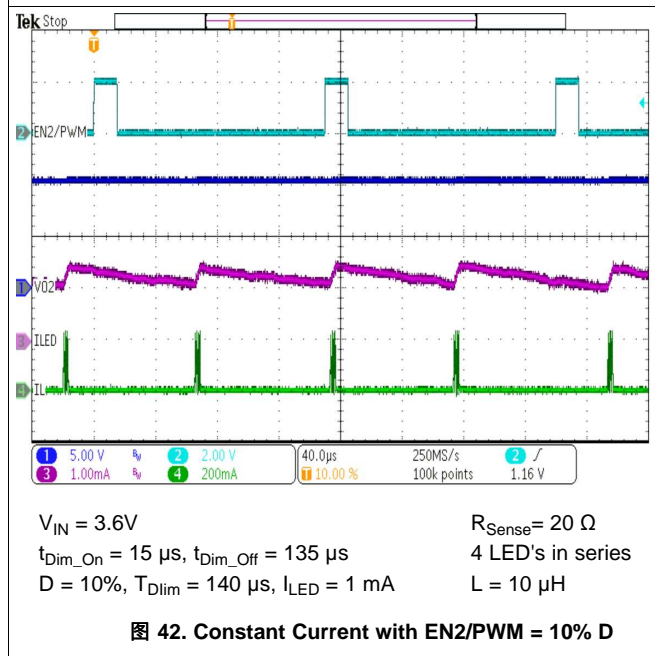
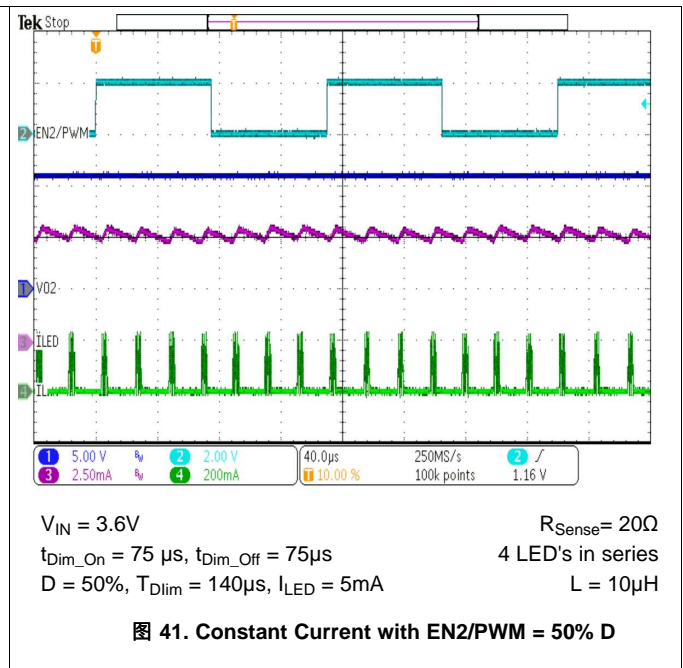
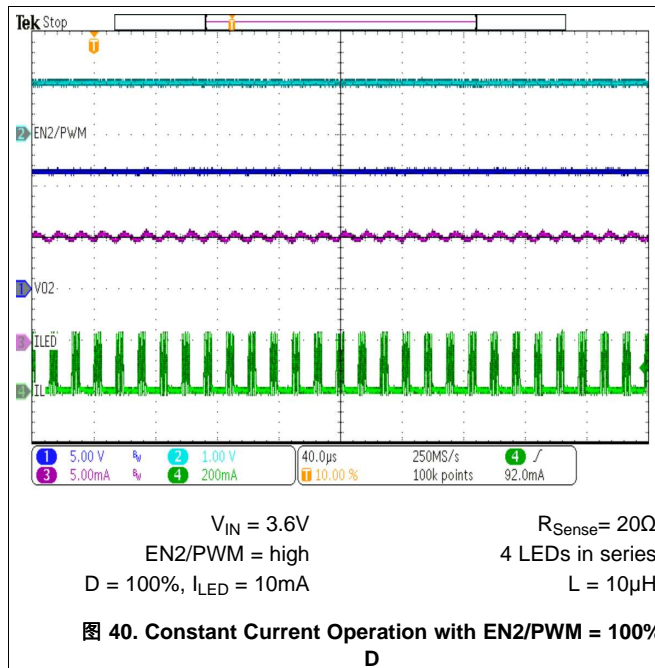
表 8 shows a list of tested input/output capacitors.

表 8. List Of Capacitors

REFERENCE	DESCRIPTION	VALUE	PACKAGE CODE / SIZE [$\text{mm} \times \text{mm} \times \text{mm}$]	MANUFACTURER ⁽¹⁾
CIN	Ceramic capacitor X5R 6.3V, GRM155R60J106ME11	10 μ F	0402 / 1.0 x 0.5 x 0.5	Murata
COU1	Ceramic capacitor X5R 6.3V, GRM155R60J106ME11	10 μ F	0402 / 1.0 x 0.5 x 0.5	Murata
COU2	Ceramic capacitor X5R 25V, GRM188R61E106MA73	10 μ F	0603 / 1.6 x 0.8 x 0.8	Murata
	Ceramic capacitor X5R 6.3V, GRM188R60J106ME84	10 μ F	0603 / 1.6 x 0.8 x 0.8	Murata

(1) See [Third-party Products Disclaimer](#)

8.2.3.3 Application Curves



9 Power Supply Recommendations

The power supply must provide a current rating according to the supply voltage, output voltage and output current of the TPS62770.

10 Layout

10.1 Layout Guidelines

- As for all switching power supplies, the layout is an important step in the design. Care must be taken in board layout to get the specified performance.
- If the layout is not carefully done, the regulator could show poor line and/or load regulation, stability issues as well as EMI problems and interference with RF circuits.
- It is critical to provide a low inductance, impedance ground path. Therefore, use wide and short traces for the main current paths.
- The input capacitor should be placed as close as possible to the IC pins VIN and GND. The output capacitors should be placed close between VO1/2 and GND pins.
- The VO1/2 line should be connected to the output capacitor and routed away from noisy components and traces (e.g. SW line) or other noise sources.
- See [图 44](#) and [图 45](#) for the recommended PCB layout.

10.2 Layout Example

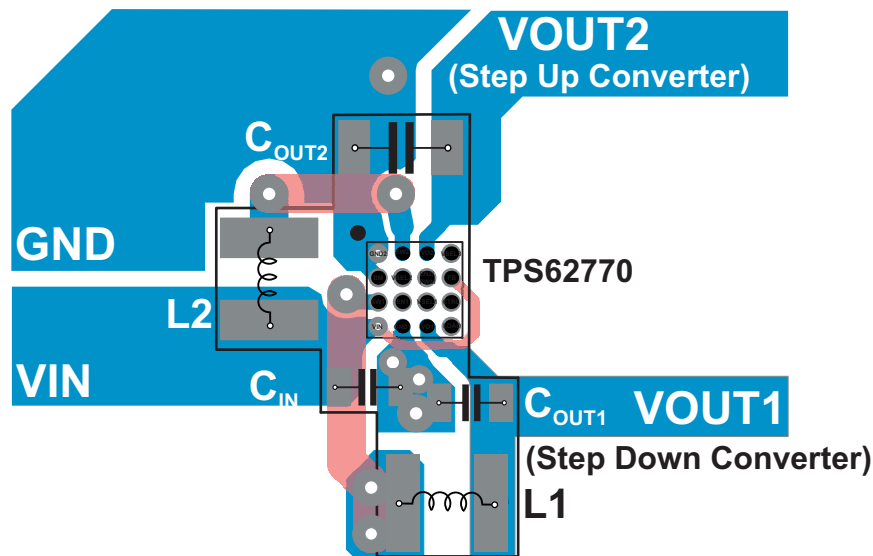


图 44. Recommended PCB Layout with 12 V Fixed VOUT2

Layout Example (接下页)

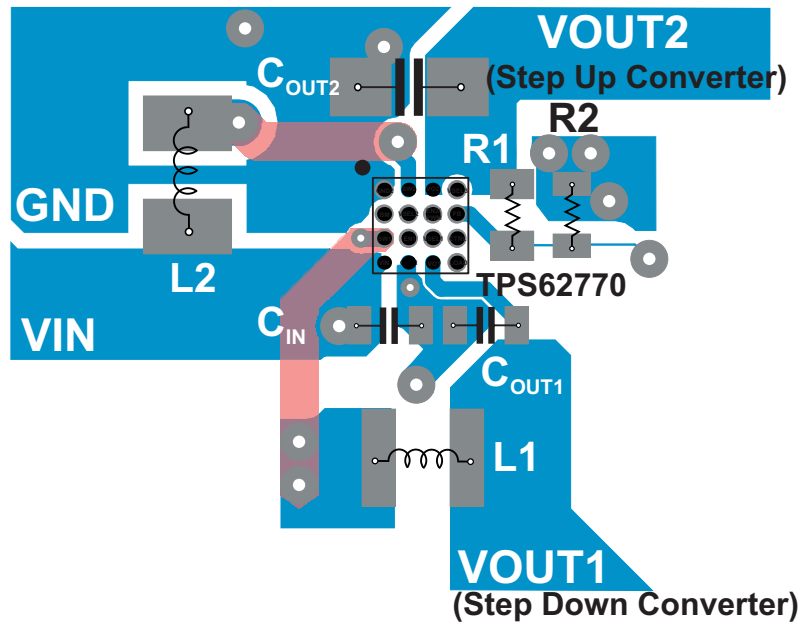


图 45. Recommended PCB Layout with Adjustable VOUT2

11 器件和文档支持

11.1 器件支持

11.1.1 开发支持

11.1.1.1 *Third-Party Products Disclaimer*

TI'S PUBLICATION OF INFORMATION REGARDING THIRD-PARTY PRODUCTS OR SERVICES DOES NOT CONSTITUTE AN ENDORSEMENT REGARDING THE SUITABILITY OF SUCH PRODUCTS OR SERVICES OR A WARRANTY, REPRESENTATION OR ENDORSEMENT OF SUCH PRODUCTS OR SERVICES, EITHER ALONE OR IN COMBINATION WITH ANY TI PRODUCT OR SERVICE.

11.2 文档支持

11.2.1 相关文档

另请参见《TPS62770EVM-734 评估模块用户指南》（文献编号：[SLVUAO2](#)）和应用笔记《精确测量超低 IQ 器件的效率》（文献编号：[SLYT558](#)）。

11.3 商标

All trademarks are the property of their respective owners.

11.4 静电放电警告



这些装置包含有限的内置 ESD 保护。存储或装卸时，应将导线一起截短或将装置放置于导电泡棉中，以防止 MOS 门极遭受静电损伤。

11.5 Glossary

[SLYZ022](#) — *TI Glossary*.

This glossary lists and explains terms, acronyms, and definitions.

12 机械、封装和可订购信息

以下页中包括机械、封装和可订购信息。这些信息是针对指定器件可提供的最新数据。这些数据会在无通知且不对本文档进行修订的情况下发生改变。欲获得该数据表的浏览器版本，请查阅左侧的导航栏。

重要声明

德州仪器(TI)及其下属子公司有权根据 JESD46 最新标准,对所提供的产品和服务进行更正、修改、增强、改进或其它更改,并有权根据 JESD48 最新标准中止提供任何产品和服务。客户在下订单前应获取最新的相关信息,并验证这些信息是否完整且是最新的。所有产品的销售都遵循在订单确认时所提供的TI 销售条款与条件。

TI 保证其所销售的组件的性能符合产品销售时 TI 半导体产品销售条件与条款的适用规范。仅在 TI 保证的范围内,且 TI 认为有必要时才会使用测试或其它质量控制技术。除非适用法律做出了硬性规定,否则没有必要对每种组件的所有参数进行测试。

TI 对应用帮助或客户产品设计不承担任何义务。客户应对其使用 TI 组件的产品和应用自行负责。为尽量减小与客户产品和应用相关的风险,客户应提供充分的设计与操作安全措施。

TI 不对任何 TI 专利权、版权、屏蔽作品权或其它与使用了 TI 组件或服务的组合设备、机器或流程相关的 TI 知识产权中授予的直接或隐含权限作出任何保证或解释。TI 所发布的与第三方产品或服务有关的信息,不能构成从 TI 获得使用这些产品或服务的许可、授权、或认可。使用此类信息可能需要获得第三方的专利权或其它知识产权方面的许可,或是 TI 的专利权或其它知识产权方面的许可。

对于 TI 的产品手册或数据表中 TI 信息的重要部分,仅在没有对内容进行任何篡改且带有相关授权、条件、限制和声明的情况下才允许进行复制。TI 对此类篡改过的文件不承担任何责任或义务。复制第三方的信息可能需要服从额外的限制条件。

在转售 TI 组件或服务时,如果对该组件或服务参数的陈述与 TI 标明的参数相比存在差异或虚假成分,则会失去相关 TI 组件或服务的所有明示或暗示授权,且这是不正当的、欺诈性商业行为。TI 对任何此类虚假陈述均不承担任何责任或义务。

客户认可并同意,尽管任何应用相关信息或支持仍可能由 TI 提供,但他们将独立负责满足与其产品及其在应用中使用的 TI 产品相关的所有法律、法规和安全相关要求。客户声明并同意,他们具备制定与实施安全措施所需的全部专业技术和知识,可预见故障的危险后果、监测故障及其后果、降低有可能造成人身伤害的故障的发生机率并采取适当的补救措施。客户将全额赔偿因在此类安全关键应用中使用任何 TI 组件而对 TI 及其代理造成的任何损失。

在某些场合中,为了推进安全相关应用有可能对 TI 组件进行特别的促销。TI 的目标是利用此类组件帮助客户设计和创立其特有的可满足适用的功能安全性标准和要求的终端产品解决方案。尽管如此,此类组件仍然服从这些条款。

TI 组件未获得用于 FDA Class III (或类似的生命攸关医疗设备)的授权许可,除非各方授权官员已经达成了专门管控此类使用的特别协议。

只有那些 TI 特别注明属于军用等级或“增强型塑料”的 TI 组件才是设计或专门用于军事/航空应用或环境的。购买者认可并同意,对并非指定面向军事或航空航天用途的 TI 组件进行军事或航空航天方面的应用,其风险由客户单独承担,并且由客户独立负责满足与此类使用相关的所有法律和法规要求。

TI 已明确指定符合 ISO/TS16949 要求的产品,这些产品主要用于汽车。在任何情况下,因使用非指定产品而无法达到 ISO/TS16949 要求, TI 不承担任何责任。

	产品		应用
数字音频	www.ti.com.cn/audio	通信与电信	www.ti.com.cn/telecom
放大器和线性器件	www.ti.com.cn/amplifiers	计算机及周边	www.ti.com.cn/computer
数据转换器	www.ti.com.cn/dataconverters	消费电子	www.ti.com.cn/consumer-apps
DLP® 产品	www.dlp.com	能源	www.ti.com.cn/energy
DSP - 数字信号处理器	www.ti.com.cn/dsp	工业应用	www.ti.com.cn/industrial
时钟和计时器	www.ti.com.cn/clockandtimers	医疗电子	www.ti.com.cn/medical
接口	www.ti.com.cn/interface	安防应用	www.ti.com.cn/security
逻辑	www.ti.com.cn/logic	汽车电子	www.ti.com.cn/automotive
电源管理	www.ti.com.cn/power	视频和影像	www.ti.com.cn/video
微控制器 (MCU)	www.ti.com.cn/microcontrollers		
RFID 系统	www.ti.com.cn/rfidsys		
OMAP应用处理器	www.ti.com/omap		
无线连通性	www.ti.com.cn/wirelessconnectivity	德州仪器在线技术支持社区	www.deyisupport.com

邮寄地址: 上海市浦东新区世纪大道1568号, 中建大厦32楼邮政编码: 200122
Copyright © 2016, 德州仪器半导体技术(上海)有限公司

PACKAGING INFORMATION

Orderable Device	Status (1)	Package Type	Package Drawing	Pins	Package Qty	Eco Plan (2)	Lead/Ball Finish (6)	MSL Peak Temp (3)	Op Temp (°C)	Device Marking (4/5)	Samples
TPS62770YFPR	ACTIVE	DSBGA	YFP	16	3000	Green (RoHS & no Sb/Br)	SNAGCU	Level-1-260C-UNLIM	-40 to 85	62770	Samples
TPS62770YFPT	ACTIVE	DSBGA	YFP	16	250	Green (RoHS & no Sb/Br)	SNAGCU	Level-1-260C-UNLIM	-40 to 85	62770	Samples

(1) The marketing status values are defined as follows:

ACTIVE: Product device recommended for new designs.

LIFEBUY: TI has announced that the device will be discontinued, and a lifetime-buy period is in effect.

NRND: Not recommended for new designs. Device is in production to support existing customers, but TI does not recommend using this part in a new design.

PREVIEW: Device has been announced but is not in production. Samples may or may not be available.

OBSOLETE: TI has discontinued the production of the device.

(2) Eco Plan - The planned eco-friendly classification: Pb-Free (RoHS), Pb-Free (RoHS Exempt), or Green (RoHS & no Sb/Br) - please check <http://www.ti.com/productcontent> for the latest availability information and additional product content details.

TBD: The Pb-Free/Green conversion plan has not been defined.

Pb-Free (RoHS): TI's terms "Lead-Free" or "Pb-Free" mean semiconductor products that are compatible with the current RoHS requirements for all 6 substances, including the requirement that lead not exceed 0.1% by weight in homogeneous materials. Where designed to be soldered at high temperatures, TI Pb-Free products are suitable for use in specified lead-free processes.

Pb-Free (RoHS Exempt): This component has a RoHS exemption for either 1) lead-based flip-chip solder bumps used between the die and package, or 2) lead-based die adhesive used between the die and leadframe. The component is otherwise considered Pb-Free (RoHS compatible) as defined above.

Green (RoHS & no Sb/Br): TI defines "Green" to mean Pb-Free (RoHS compatible), and free of Bromine (Br) and Antimony (Sb) based flame retardants (Br or Sb do not exceed 0.1% by weight in homogeneous material)

(3) MSL, Peak Temp. - The Moisture Sensitivity Level rating according to the JEDEC industry standard classifications, and peak solder temperature.

(4) There may be additional marking, which relates to the logo, the lot trace code information, or the environmental category on the device.

(5) Multiple Device Markings will be inside parentheses. Only one Device Marking contained in parentheses and separated by a "~" will appear on a device. If a line is indented then it is a continuation of the previous line and the two combined represent the entire Device Marking for that device.

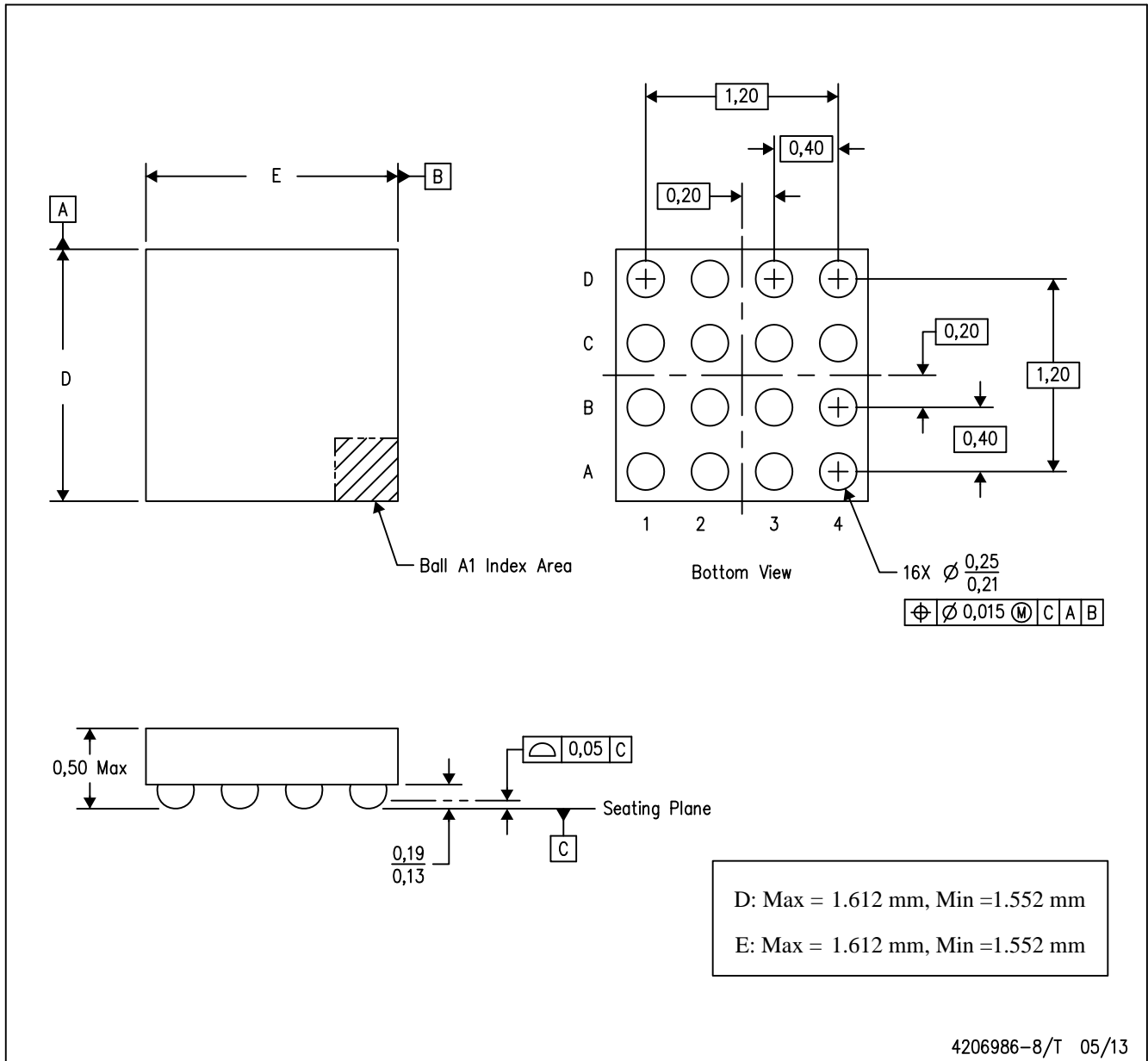
(6) Lead/Ball Finish - Orderable Devices may have multiple material finish options. Finish options are separated by a vertical ruled line. Lead/Ball Finish values may wrap to two lines if the finish value exceeds the maximum column width.

Important Information and Disclaimer: The information provided on this page represents TI's knowledge and belief as of the date that it is provided. TI bases its knowledge and belief on information provided by third parties, and makes no representation or warranty as to the accuracy of such information. Efforts are underway to better integrate information from third parties. TI has taken and continues to take reasonable steps to provide representative and accurate information but may not have conducted destructive testing or chemical analysis on incoming materials and chemicals. TI and TI suppliers consider certain information to be proprietary, and thus CAS numbers and other limited information may not be available for release.

In no event shall TI's liability arising out of such information exceed the total purchase price of the TI part(s) at issue in this document sold by TI to Customer on an annual basis.

YFP (S-XBGA-N16)

DIE-SIZE BALL GRID ARRAY



- NOTES:
- A. All linear dimensions are in millimeters. Dimensioning and tolerancing per ASME Y14.5M-1994.
 - B. This drawing is subject to change without notice.
 - C. NanoFree™ package configuration.

重要声明和免责声明

TI 均以“原样”提供技术性数据（包括数据表）、设计资源（包括参考设计）、应用或其他设计建议、网络工具、安全信息和其他资源，不保证其中不含任何瑕疵，且不做任何明示或暗示的担保，包括但不限于对适销性、适合某特定用途或不侵犯任何第三方知识产权的暗示担保。

所述资源可供专业开发人员应用TI 产品进行设计使用。您将对以下行为独自承担全部责任：(1) 针对您的应用选择合适的TI 产品；(2) 设计、验证并测试您的应用；(3) 确保您的应用满足相应标准以及任何其他安全、安保或其他要求。所述资源如有变更，恕不另行通知。TI 对您使用所述资源的授权仅限于开发资源所涉及TI 产品的相关应用。除此之外不得复制或展示所述资源，也不提供其它TI 或任何第三方的知识产权授权许可。如因使用所述资源而产生任何索赔、赔偿、成本、损失及债务等，TI 对此概不负责，并且您须赔偿由此对TI 及其代表造成的损害。

TI 所提供产品均受TI 的销售条款 (<http://www.ti.com.cn/zh-cn/legal/termsofsale.html>) 以及ti.com.cn上或随附TI产品提供的其他可适用条款的约束。TI提供所述资源并不扩展或以其他方式更改TI 针对TI 产品所发布的可适用的担保范围或担保免责声明。

邮寄地址：上海市浦东新区世纪大道 1568 号中建大厦 32 楼，邮政编码：200122
Copyright © 2019 德州仪器半导体技术（上海）有限公司