

CC3100 SimpleLink™ Wi-Fi® 和物联网解决方案，用于微控制器 (MCU) 应用

1 器件概述

1.1 特性

- CC3100 SimpleLink Wi-Fi 由 Wi-Fi 网络处理器和电源管理子系统组成
- Wi-Fi 网络处理器子系统
 - 特有 Wi-Fi Internet-On-a-Chip™
 - 专用 ARM MCU
 - 完全解除 外部 微控制器的 Wi-Fi 和互联网协议处理负担
 - ROM 中的 Wi-Fi 驱动程序和多个 互联网协议
 - 802.11 b/g/n 射频、基带，和 媒介访问控制 (MAC)，Wi-Fi 驱动器和请求方
 - TCP/IP 堆栈
 - 行业标准 BSD 插槽应用编程接口 (API)
 - 8 个同时 TCP 或 UCP 插槽
 - 2 个同时 TLS 和 SSL 插槽
 - 强大的加密引擎，用于与针对 TLS 和 SSL 连接的 256 位 AES 加密的快速、安全 Wi-Fi 和互联网连接
 - 基站、访问点 (AP) 和 Wi-Fi Direct® 模式
 - WPA2 个人和企业安全性
 - 针对自主和快速 Wi-Fi 连接的 SimpleLink 连接管理器
 - SmartConfig™ 技术，AP 模式和 WPS2，这些技术用于实现简单且灵活的 Wi-Fi 服务开通
 - TX Power
 - 18.0 dBm @ 1 DSSS
 - 14.5 dBm @ 54 OFDM
- RX 灵敏度
 - -95.7 dBm @ 1 DSSS
 - -74.0 dBm @ 54 OFDM
- 应用数据吞吐量
 - UDP: 16Mbps
 - TCP: 12Mbps
- 主机接口
 - 通过串行外设接口 (SPI) 或通用异步收发器 (UART) 接口与 8、16 和 32 位微控制器 (MCU) 或特定用途集成电路 (ASIC) 对接
 - 低外部主机驱动器封装尺寸: TCP 客户端应用需要少于 7KB 的代码内存和 700B 的 RAM 内存
- 电源管理子系统
 - 集成直流-直流转换器支持宽范围的电源电压:
 - V_{BAT} 宽电压模式: 2.1 至 3.6V
 - 预稳压 1.85V 模式
 - 高级低功耗模式
 - 支持实时时钟 (RTC) 的休眠: 4 μ A
 - 低功耗深度睡眠 (LPDS): 115 μ A
 - RX 流量 (MCU 激活): 53 mA@54 正交频分复用 (OFDM)
 - TX 流量 (MCU 激活): 223 mA@54OFDM, 最大功率
 - 空闲连接: 690 μ A @ DTIM = 1
- 时钟源
 - 具有内部振荡器的 40.0MHz 晶振
 - 32.768kHz 晶振或外部 RTC 时钟
- 封装和工作温度
 - 0.5mm 焊球间距, 64 引脚, 9mm x 9mm 四方扁平无引线 (QFN)
 - 环境温度范围: -40°C 至 85°C



1.2 应用范围

- 用于物联网应用，诸如
 - 云连通性
 - 家庭自动化
 - 家用电器
 - 访问控制
 - 安防系统
 - 智能能源
 - 互联网网关
 - 工业控制
 - 智能插座和仪表计量
 - 无线音频
 - IP 网络传感器节点

1.3 说明

将任一低成本、低功耗微控制器 (MCU) 连接至物联网 (IOT)。CC3100 无线网络互联解决方案是全新 SimpleLink Wi-Fi 系列中的产品，此款产品可大大简化互联网连通性的实现。CC3100 器件集成针对 Wi-Fi 和互联网的所有协议，这最大限度地减少了对主机 MCU 软件的要求。借助内置的安全性协议，CC3100 解决方案提供一款稳健耐用且简单的安全体验。此外，CC3100 器件是一个完整平台解决方案，其中包括多种工具和软件、示例应用、用户和编程指南、参考设计以及 TI E2E™ 支持社区。CC3100 器件采用易于布局布线的 QFN 封装。

Wi-Fi 网络处理器子系统特有一个 Wi-Fi 片上互联网并且包含一个额外的专用 ARM MCU，此 MCU 可完全免除主机 MCU 的处理负担。这个子系统包含 802.11 b/g/n 射频、基带和具有强大加密引擎的 MAC，以实现支持 256 位加密的快速、安全互联网连接。CC3100 器件支持基站、访问点和 Wi-Fi 直接模式。此器件还支持 WPA2 个人和企业安全性以及 WPS2.0。这个子系统包括嵌入式 TCP/IP 和 TLS/SSL 堆栈，HTTP 服务器和多个互联网协议。

电源管理子系统包括支持广泛电源电压范围的集成直流-直流转换器。这个子系统可启用低功耗模式，诸如具有 RTC 的休眠模式，所需电流大约 4 μ A。

CC3100 器件可以通过 SPI 或 UART 接口连接至任一 8、16 或 32 位 MCU。此器件驱动程序最大限度地减少了主机存储器占用要求，对于一个 TCP 客户端用于程序，要求的代码存储器少于 7KB，RAM 存储器小于 700B。

器件信息⁽¹⁾

产品型号	封装	封装尺寸
CC3100	四方扁平无引线 (QFN) (64)	9.0mm x 9.0mm

(1) 如需了解所有可用封装，请见数据表末尾的可订购产品附录。

1.4 功能方框图

图 1-1 显示 CC3100 硬件概述。

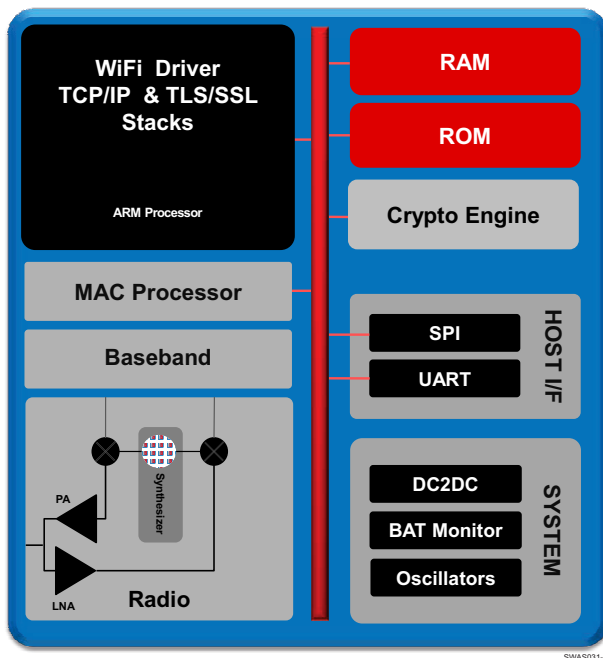


图 1-1. CC3100 硬件概述

图 1-2 显示 CC3100 嵌入式软件的概述。

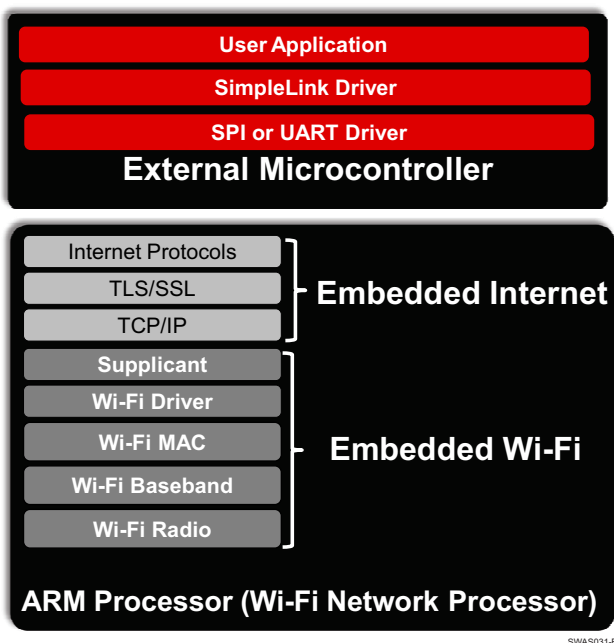


图 1-2. CC3100 软件概述

内容

1	器件概述	1	4.11	External Interfaces	20
1.1	特性	1	4.12	Host UART	21
1.2	应用范围	2	5	Detailed Description	24
1.3	说明	2	5.1	Overview	24
1.4	功能方框图	3	5.2	Functional Block Diagram	25
2	修订历史记录	4	5.3	Wi-Fi Network Processor Subsystem	25
3	Terminal Configuration and Functions	5	5.4	Power-Management Subsystem	26
3.1	Pin Attributes	5	5.5	Low-Power Operating Modes	27
4	Specifications	8	5.6	Memory	27
4.1	Absolute Maximum Ratings	8	6	Applications and Implementation	29
4.2	Handling Ratings	8	6.1	Application Information	29
4.3	Power-On Hours	8	7	器件和文档支持	33
4.4	Recommended Operating Conditions	8	7.1	器件支持	33
4.5	Electrical Characteristics	9	7.2	文档支持	34
4.6	WLAN Receiver Characteristics	10	7.3	社区资源	34
4.7	WLAN Transmitter Characteristics	10	7.4	Trademarks	34
4.8	Current Consumption	11	7.5	Electrostatic Discharge Caution	34
4.9	Thermal Characteristics for RGC Package	13	7.6	Glossary	34
4.10	Timing and Switching Characteristics	13	8	机械封装和可订购信息	35

2 修订历史记录

NOTE: Page numbers for previous revisions may differ from page numbers in the current version.

Changes from Revision B (June 2014) to Revision C		Page
•	Changed Table 5-1	25

3 Terminal Configuration and Functions

Figure 3-1 shows pin assignments for the 64-pin QFN package.

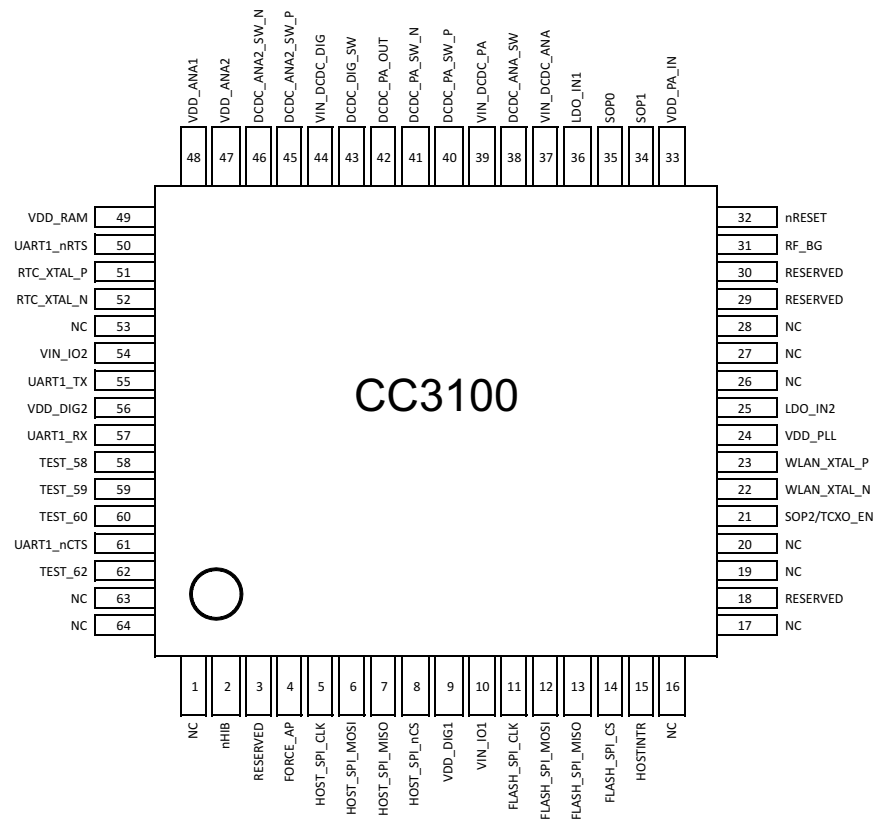


Figure 3-1. QFN 64-Pin Assignments

3.1 Pin Attributes

Table 3-1 describes the CC3100 pins.

NOTE

If an external device drives a positive voltage to signal pads when the CC3100 device is not powered, DC current is drawn from the other device. If the drive strength of the external device is adequate, an unintentional wakeup and boot of the CC3100 device can occur. To prevent current draw, TI recommends one of the following:

- All devices interfaced to the CC3100 device must be powered from the same power rail as the CC3100 device.
- Use level-shifters between the CC3100 device and any external devices fed from other independent rails.
- The nRESET pin of the CC3100 device must be held low until the VBAT supply to the device is driven and stable.

Table 3-1. Pin Attributes

PIN	DEFAULT FUNCTION	STATE AT RESET AND HIBERNATE	I/O TYPE	DESCRIPTION
1	NC	Hi-Z	N/A	Unused; leave unconnected.
2	nHIB	Hi-Z	I	Hibernate signal input to the NWP (active low). This is connected to the MCU GPIO. If the Hibernate function is not used, connect to V _{cc} using 100K pull-up.
3	Reserved	Hi-Z	NA	Reserved for future use
4	FORCE_AP	Hi-Z	I	For forced AP mode, pull to high on the board using 100k resistor. Otherwise, pull down to ground using 100k resistor. ⁽¹⁾
5	HOST_SPI_CLK	Hi-Z	I	Host interface SPI clock
6	HOST_SPI_MOSI	Hi-Z	I	Host interface SPI data input
7	HOST_SPI_MISO	Hi-Z	O	Host interface SPI data output
8	HOST_SPI_CS	Hi-Z	I	Host interface SPI chip select
9	VDD_DIG1	Hi-Z	Power	Digital core supply (1.2 V)
10	VIN_IO1	Hi-Z	Power	I/O supply
11	FLASH_SPI_CLK	Hi-Z	O	Serial flash interface: SPI clock
12	FLASH_SPI_MOSI	Hi-Z	O	Serial flash interface: SPI data out
13	FLASH_SPI_MISO (active high)	Hi-Z	I	Serial flash interface: SPI data in
14	FLASH_SPI_CS	Hi-Z	O	Serial flash interface: SPI chip select
15	HOST_INTR	Hi-Z	O	Interrupt output
16	NC	Hi-Z	N/A	Unused; leave unconnected.
17	NC	Hi-Z	N/A	Unused; leave unconnected.
18	NC	Hi-Z	N/A	Unused; leave unconnected.
19	NC	Hi-Z	N/A	Unused; leave unconnected.
20	NC	Hi-Z	N/A	Unused; leave unconnected.
21	SOP2/TCXO_EN	Hi-Z	O	Enable signal for external TCXO. Add 10k pulldown to ground.
22	WLAN_XTAL_N	Hi-Z	Analog	Connect the WLAN 40-MHz XTAL here.
23	WLAN_XTAL_P	Hi-Z	Analog	Connect the WLAN 40-MHz XTAL here.
24	VDD_PLL	Hi-Z	Power	Internal PLL power supply (1.4 V nominal)
25	LDO_IN2	Hi-Z	Power	Input to internal LDO
26	NC	Hi-Z	N/A	Unused; leave unconnected.
27	NC	Hi-Z	N/A	Unused; leave unconnected.
28	NC	Hi-Z	N/A	Unused; leave unconnected.
29	Reserved	Hi-Z	O	Reserved for future use
30	Reserved	Hi-Z	O	Reserved for future use
31	RF_BG	Hi-Z	RF	2.4-GHz RF TX/RX
32	nRESET	Hi-Z	I	RESET input for the device. Active low input. Use RC circuit (100k 0.1 μF) for power on reset.
33	VDD_PA_IN	Hi-Z	Power	Power supply for the RF power amplifier (PA)
34	SOP1	Hi-Z	N/A	Add 100K pulldown to ground.
35	SOP0	Hi-Z	N/A	Add 100K pulldown to ground.
36	LDO_IN1	Hi-Z	Power	Input to internal LDO
37	VIN_DCDC_ANA	Hi-Z	Power	Power supply for the DC-DC converter for analog section
38	DCDC_ANA_SW	Hi-Z	Power	Analog DC-DC converter switch output
39	VIN_DCDC_PA	Hi-Z	Power	PA DC-DC converter input supply

(1) Using a configuration file stored on flash, the vendor can optionally block any possibility of bringing up AP using the FORCE_AP pin.

Table 3-1. Pin Attributes (continued)

PIN	DEFAULT FUNCTION	STATE AT RESET AND HIBERNATE	I/O TYPE	DESCRIPTION
40	DCDC_PA_SW_P	Hi-Z	Power	PA DC-DC converter switch output +ve
41	DCDC_PA_SW_N	Hi-Z	Power	PA DC-DC converter switch output –ve
42	DCDC_PA_OUT	Hi-Z	Power	PA DC-DC converter output. Connect the output capacitor for DC-DC here.
43	DCDC_DIG_SW	Hi-Z	Power	Digital DC-DC converter switch output
44	VIN_DCDC_DIG	Hi-Z	Power	Power supply input for the digital DC-DC converter
45	DCDC_ANA2_SW_P	Hi-Z	Power	Analog2 DC-DC converter switch output +ve
46	DCDC_ANA2_SW_N	Hi-Z	Power	Analog2 DC-DC converter switch output –ve
47	VDD_ANA2	Hi-Z	Power	Analog2 power supply input
48	VDD_ANA1	Hi-Z	Power	Analog1 power supply input
49	VDD_RAM	Hi-Z	Power	Power supply for the internal RAM
50	UART1_nRTS	Hi-Z	O	UART host interface
51	RTC_XTAL_P	Hi-Z	Analog	32.768 kHz XTAL_P/external CMOS level clock input
52	RTC_XTAL_N	Hi-Z	Analog	32.768 kHz XTAL_N/100k external pullup for external clock
53	NC	Hi-Z	N/A	Unused. Leave unconnected.
54	VIN_IO2	Hi-Z	Power	I/O power supply. Same as battery voltage.
55	UART1_TX	Hi-Z	O	UART host interface. Connect to test point on prototype for flash programming.
56	VDD_DIG2	Hi-Z	Power	Digital power supply (1.2 V)
57	UART1_RX	Hi-Z	I	UART host interface. Connect to test point on prototype for flash programming.
58	TEST_58		N/A	Test signal. Connect to an external test point.
59	TEST_59		N/A	Test signal. Connect to an external test point.
60	TEST_60	Hi-Z	O	Test signal. Connect to an external test point.
61	UART1_nCTS	Hi-Z	I	UART host interface
62	TEST_62	Hi-Z	O	Test signal. Connect to an external test point.
63	NC	Hi-Z	I/O	Leave unconnected
64	NC	Hi-Z	I/O	Leave unconnected
65	GND		Power	Ground tab used as thermal and electrical ground

4 Specifications

All measurements are referenced at the device pins, unless otherwise indicated. All specifications are over process and voltage, unless otherwise indicated.

4.1 Absolute Maximum Ratings

over operating free-air temperature range (unless otherwise noted)

PARAMETERS	PINS	MIN	MAX	UNIT
V_{BAT} and V_{IO}	37, 39, 44	-0.5	3.8	V
$V_{IO}-V_{BAT}$ (differential)	10, 54		0.0	V
Digital inputs		-0.5	$V_{IO} + 0.5$	V
RF pins		-0.5	2.1	V
Analog pins (XTAL)		-0.5	2.1	V
Operating temperature range (T_A)		-40	+85	°C

4.2 Handling Ratings

		MIN	MAX	UNIT	
T_{stg}	Storage temperature range	-55	+125	°C	
V_{ESD}	Electrostatic discharge	Human body model (HBM), per ANSI/ESDA/JEDEC JS-001, all pins ⁽¹⁾	-2000	+2000	V
		Charged device model (CDM), per JEDEC specification JESD22-C101, all pins ⁽²⁾	-500	+500	V

(1) JEDEC document JEP155 states that 500-V HBM allows safe manufacturing with a standard ESD control process.

(2) JEDEC document JEP157 states that 250-V CDM allows safe manufacturing with a standard ESD control process.

4.3 Power-On Hours

CONDITIONS	POH
$T_{Ambient}$ up to 85°C, assuming 20% active mode and 80% sleep mode	17,500 ⁽¹⁾

(1) The CC3100 device can be operated reliably for 10 years.

4.4 Recommended Operating Conditions

over operating free-air temperature range (unless otherwise noted) ⁽¹⁾

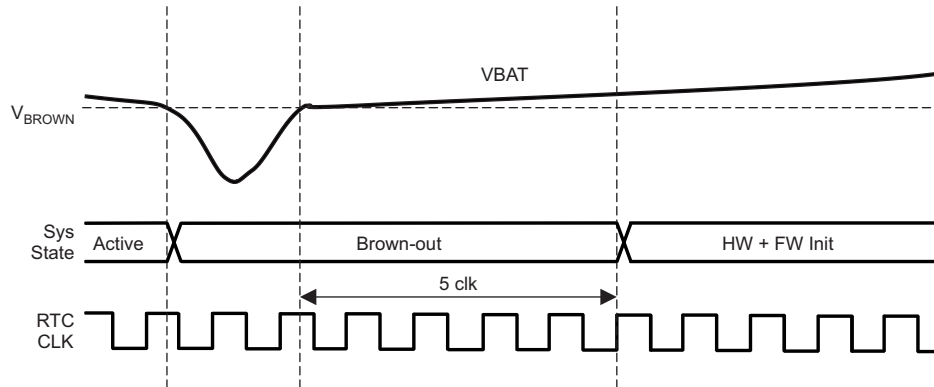
PARAMETERS	PINS	CONDITIONS ^{(2) (3)}	MIN	TYP	MAX	UNIT
V_{BAT} , V_{IO} (shorted to V_{BAT})	10, 37, 39, 44, 54	Direct battery connection	2.1	3.3	3.6	V
V_{BAT} , V_{IO} (shorted to V_{BAT})	10, 37, 39, 44, 54	Preregulated 1.85 V	1.76	1.85	1.9	V
Ambient thermal slew			-20		20	°C/minute

(1) Operating temperature is limited by crystal frequency variation.

(2) To ensure WLAN performance, ripple on the 2.1- to 3.3-V supply must be less than ± 300 mV.

(3) To ensure WLAN performance, ripple on the 1.85-V supply must be less than 2% (± 40 mV).

The device enters a brown-out condition whenever the input voltage dips below V_{BROWN} (see [Figure 4-1](#)). This condition must be considered during design of the power supply routing, especially if operating from a battery. High-current operations (such as a TX packet) cause a dip in the supply voltage, potentially triggering a brown-out. The resistance includes the internal resistance of the battery, contact resistance of the battery holder (4 contacts for a 2 x AA battery) and the wiring and PCB routing resistance.



Note: For V_{BAT} wide-voltage mode, V_{BROWN} = 2.1 V. For preregulated 1.85-V mode, V_{BROWN} = 1.76 V.

Figure 4-1. Brown-Out Timing Diagram

For example, the device draws about 400 mA from the supply @ 2.3 V for a 1 DSSS packet at maximum power. This condition can cause a drop of 200 mV across a 0.5-Ω routing resistance.

In the brown-out condition, the device is in RESET state except for the Hibernate module (including the 32-kHz RTC clock), which is kept on. The current in this state can reach approximately 400 μA.

4.5 Electrical Characteristics

3.3 V, 25°C

PARAMETER	TEST CONDITIONS	MIN	NOM	MAX	UNIT
C _{IN}	Pin capacitance		4		pF
V _{IH}	High-level input voltage	0.65 × VDD		VDD + 0.5 V	V
V _{IL}	Low-level input voltage	-0.5		0.35 × VDD	V
I _{IH}	High-level input current		5		nA
I _{IL}	Low-level input current		5		nA
V _{OH}	High-level output voltage (VDD = 3.0 V)	2.4			V
V _{OL}	Low-level output voltage (VDD = 3.0 V)			0.4	V
I _{OH}	High-level source current, V _{OH} = 2.4	6			mA
I _{OL}	Low-level sink current, V _{OH} = 0.4	6			mA
Pin Internal Pullup and Pulldown (25°C)					
PARAMETER	TEST CONDITIONS	MIN	NOM	MAX	UNIT
I _{OH}	Pull-Up current, V _{OH} = 2.4 (VDD = 3.0 V)	5		10	μA
I _{OL}	Pull-Down current, V _{OL} = 0.4 (VDD = 3.0 V)	5			μA

4.6 WLAN Receiver Characteristics

$T_A = +25^\circ\text{C}$, $V_{\text{BAT}} = 2.1$ to 3.6 V. Parameters measured at SoC pin on channel 7 (2442 MHz)

Parameter	Condition (Mbps)	Min	Typ	Max	Units
Sensitivity (8% PER for 11b rates, 10% PER for 11g/11n rates)(10% PER) ⁽¹⁾	1 DSSS		-95.7		dBm
	2 DSSS		-93.6		
	11 CCK		-88.0		
	6 OFDM		-90.0		
	9 OFDM		-89.0		
	18 OFDM		-86.0		
	36 OFDM		-80.5		
	54 OFDM		-74.0		
	MCS0 (GF) ⁽²⁾		-89.0		
	MCS7 (GF) ⁽²⁾		-71.0		
Maximum input level (10% PER)	802.11b		-4.0		
	802.11g		-10.0		

(1) Sensitivity is 1-dB worse on channel 13 (2472 MHz).

(2) Sensitivity for mixed mode is 1-dB worse.

4.7 WLAN Transmitter Characteristics

$T_A = +25^\circ\text{C}$, $V_{\text{BAT}} = 2.1$ to 3.6 V. Parameters measured at SoC pin on channel 7 (2442 MHz).⁽¹⁾

Parameter	Condition ⁽²⁾	Min	Typ	Max	Units
Maximum RMS output power measured at 1 dB from IEEE spectral mask or EVM	1 DSSS		18.0		dBm
	2 DSSS		18.0		
	11 CCK		18.3		
	6 OFDM		17.3		
	9 OFDM		17.3		
	18 OFDM		17.0		
	36 OFDM		16.0		
	54 OFDM		14.5		
	MCS7 (MM)		13.0		
Transmit center frequency accuracy		-25		25	ppm

(1) Channel-to-channel variation is up to 2 dB. The edge channels (2412 and 2472 MHz) have reduced TX power to meet FCC emission limits.

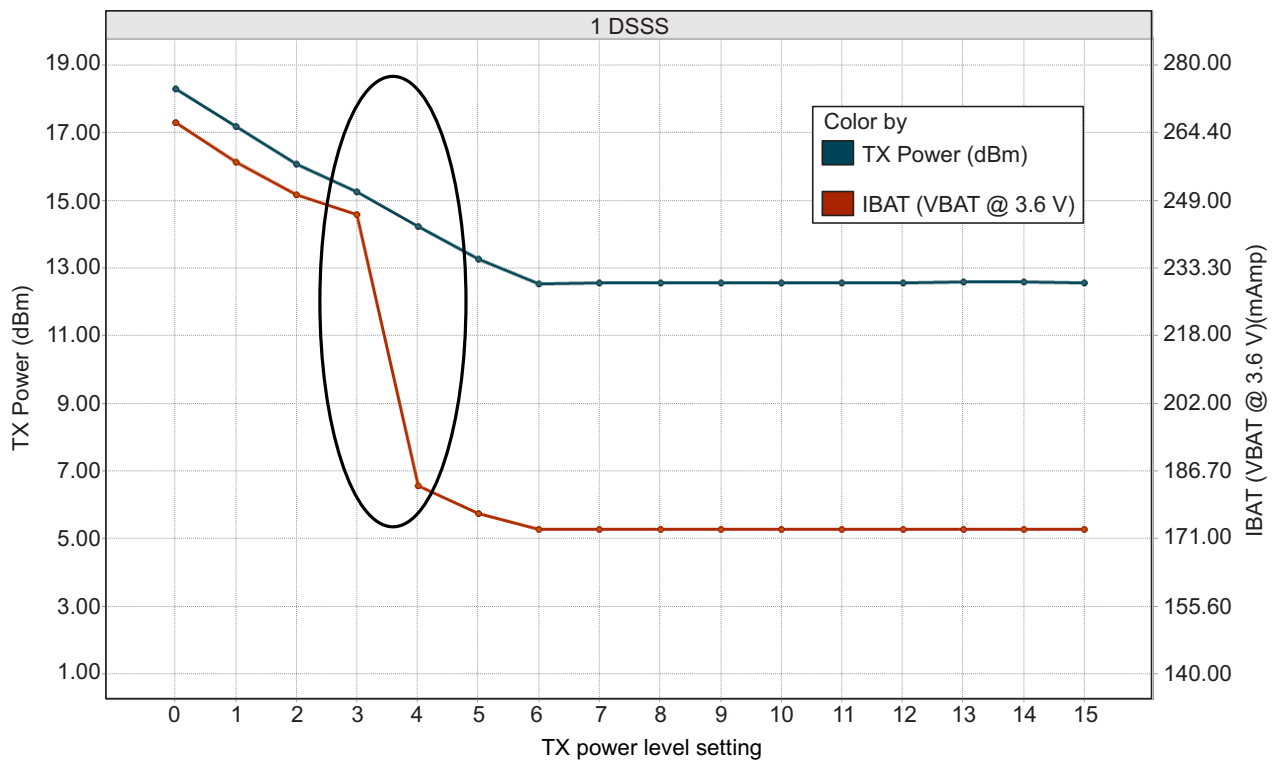
(2) In preregulated 1.85-V mode, maximum TX power is 0.25 to 0.75 dB lower for modulations higher than 18 OFDM.

4.8 Current Consumption

T_A = +25°C, V_{BAT} = 3.6 V

PARAMETER	TEST CONDITIONS ^{(1) (2)}		MIN	TYP ⁽³⁾	MAX	UNIT
TX	1 DSSS	TX power level = 0		272		mA
		TX power level = 4		188		
	6 OFDM	TX power level = 0		248		
		TX power level = 4		179		
	54 OFDM	TX power level = 0		223		
		TX power level = 4		160		
RX	1 DSSS			53		
	54 OFDM			53		
Idle connected ⁽⁴⁾				0.69		
LPDS				0.115		
Hibernate				4		µA
Peak calibration current ⁽⁵⁾	V _{BAT} = 3.3 V			450		mA
	V _{BAT} = 2.1 V			670		
	V _{BAT} = 1.85 V			700		

- (1) TX power level = 0 implies maximum power (see Figure 4-2 through Figure 4-4). TX power level = 4 implies output power backed off approximately 4 dB.
- (2) The CC3100 system is a constant power-source system. The active current numbers scale based on the V_{BAT} voltage supplied.
- (3) External serial-flash-current consumption is not included.
- (4) DTIM = 1
- (5) The complete calibration can take up to 17 mJ of energy from the battery over a time of 24 ms . Calibration is performed sparingly, typically when coming out of Hibernate and only if temperature has changed by more than 20°C or the time elapsed from prior calibration is greater than 24 hours.



Note: The area enclosed in the circle represents a significant reduction in current when transitioning from TX power level 3 to 4. In the case of lower range requirements (14 dbm output power), TI recommends using TX power level 4 to reduce the current.

Figure 4-2. TX Power and IBAT vs TX Power Level Settings (1 DSSS)

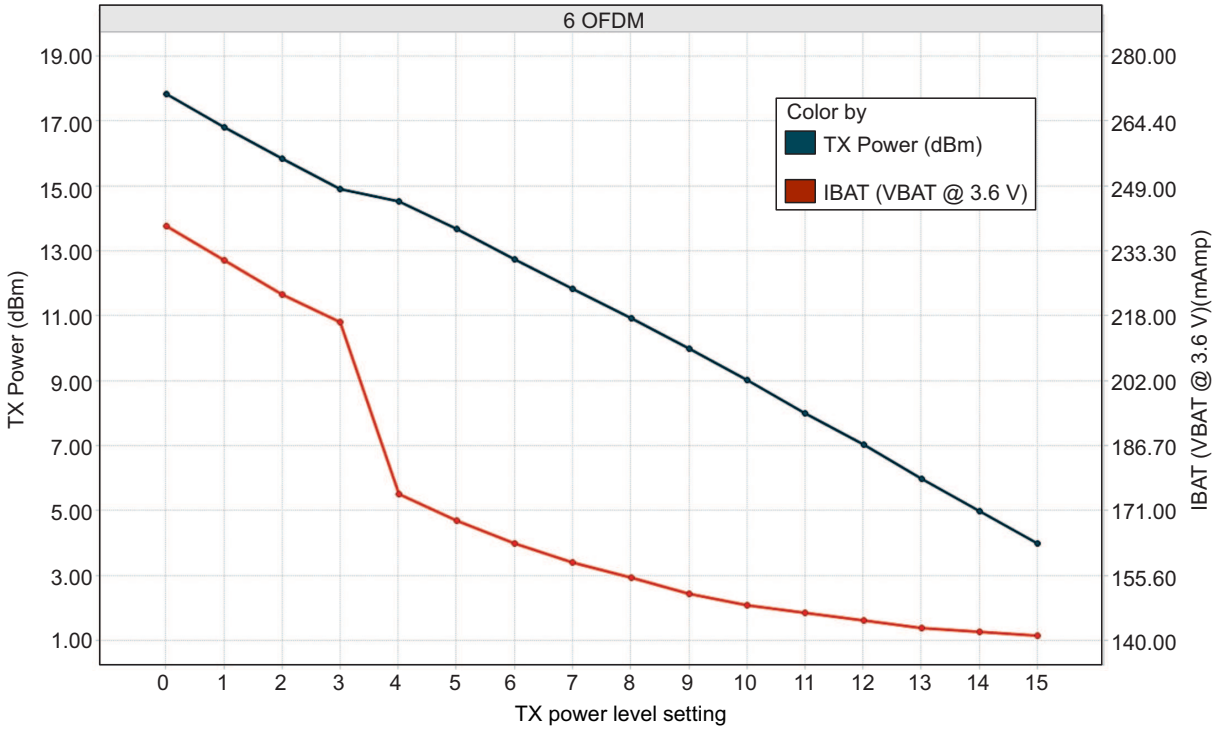


Figure 4-3. TX Power and IBAT vs TX Power Level Settings (6 OFDM)

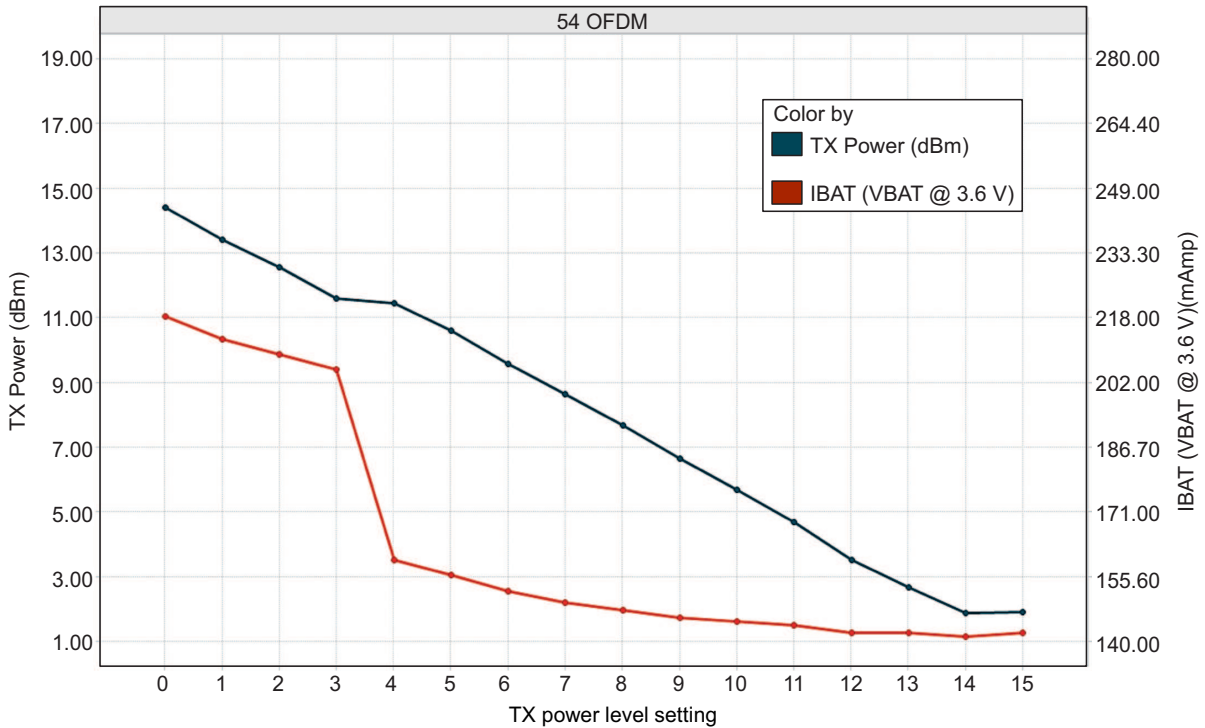


Figure 4-4. TX Power and IBAT vs TX Power Level Settings (54 OFDM)

4.9 Thermal Characteristics for RGC Package

PARAMETER	AIR FLOW			
	0 lfm (C/W)	150 lfm (C/W)	250 lfm (C/W)	500 lfm (C/W)
θ_{ja}	23	14.6	12.4	10.8
Ψ_{jt}	0.2	0.2	0.3	0.1
Ψ_{jb}	2.3	2.3	2.2	2.4
θ_{jc}	6.3			
θ_{jb}	2.4			

4.10 Timing and Switching Characteristics

4.10.1 Power Supply Sequencing

For proper operation of the CC3100 device, perform the recommended power-up sequencing as follows:

1. Tie V_{BAT} (pins 37, 39, 44) and V_{IO} (pins 54 and 10) together on the board.
2. Hold the RESET pin low while the supplies are ramping up. TI recommends using a simple RC circuit (100K || 0.1 μ F, RC = 10 ms).
3. For an external RTC clock, ensure that the clock is stable before RESET is deasserted (high).

For timing diagrams, see [Section 4.10.2, Reset Timing](#).

4.10.2 Reset Timing

4.10.2.1 nRESET (32K XTAL)

Figure 4-5 shows the reset timing diagram for the 32K XTAL first-time power-up and reset removal.

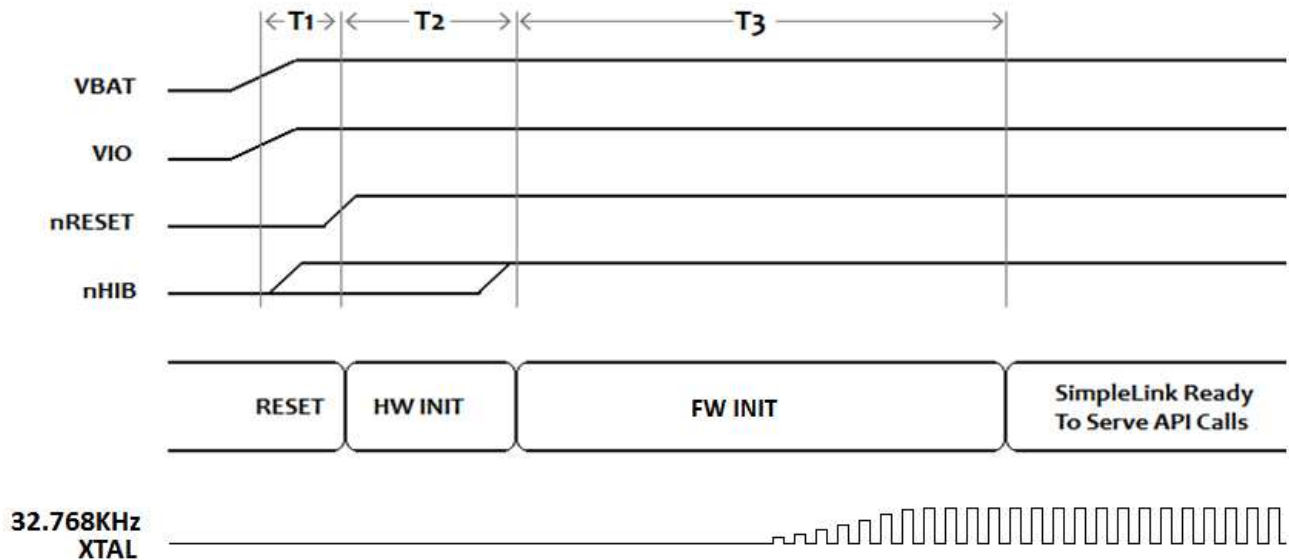


Figure 4-5. First-Time Power-Up and Reset Removal Timing Diagram (32K XTAL)

Table 4-1 describes the timing requirements for the 32K XTAL first-time power-up and reset removal.

Table 4-1. First-Time Power-Up and Reset Removal Timing Requirements (32K XTAL)

Item	Name	Description	Min	Typ	Max
T1	Supply settling time	Depends on application board power supply, decap, and so on		3 ms	
T2	Hardware wakeup time			25 ms	
T3	Initialization time	32-kHz XTAL settling + firmware initialization time + radio calibration		1.35 s	

4.10.2.2 nRESET (External 32K)

Figure 4-6 shows the reset timing diagram for the external 32K first-time power-up and reset removal.

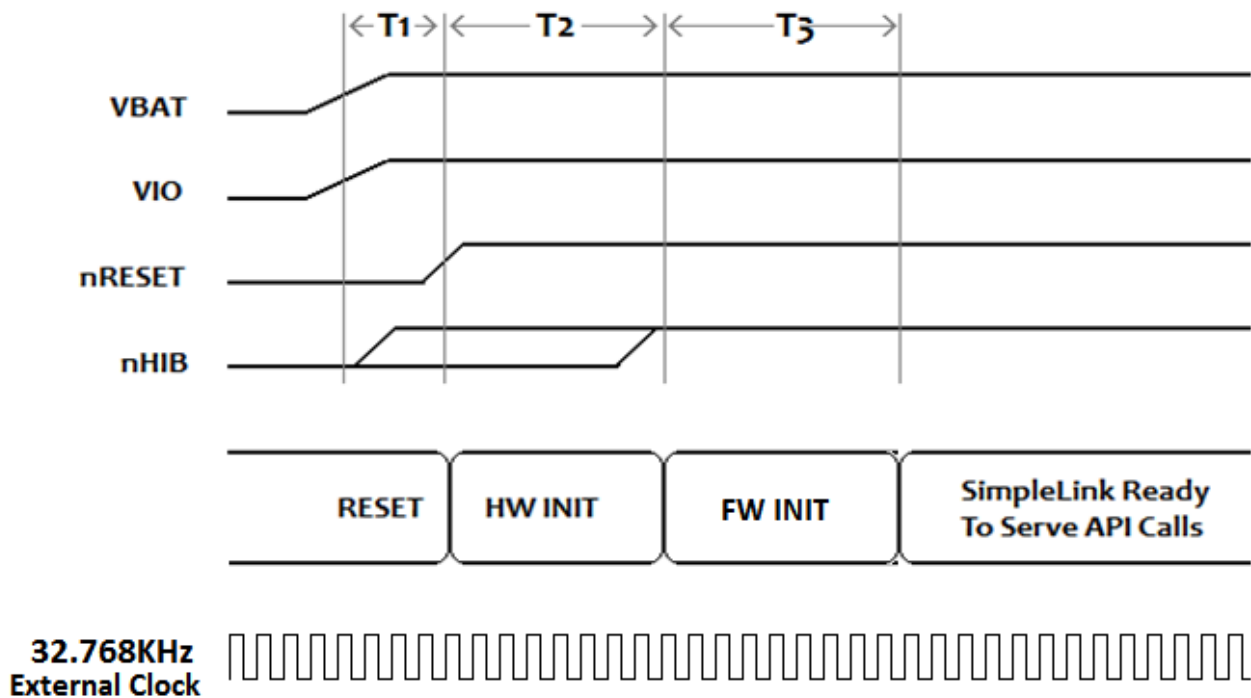


Figure 4-6. First-Time Power-Up and Reset Removal Timing Diagram (External 32K)

Table 4-2 describes the timing requirements for the external 32K first-time power-up and reset removal.

Table 4-2. First-Time Power-Up and Reset Removal Timing Requirements (External 32K)

Item	Name	Description	Min	Typ	Max
T1	Supply settling time	Depends on application board power supply, decap, and so on		3 ms	
T2	Hardware wakeup time			25 ms	

Table 4-2. First-Time Power-Up and Reset Removal Timing Requirements (External 32K) (continued)

Item	Name	Description	Min	Typ	Max
T3	Initialization time	Firmware initialization time + radio calibration		250 ms	

4.10.2.3 Wakeup from Hibernate

Figure 4-7 shows the timing diagram for wakeup from the hibernate state.

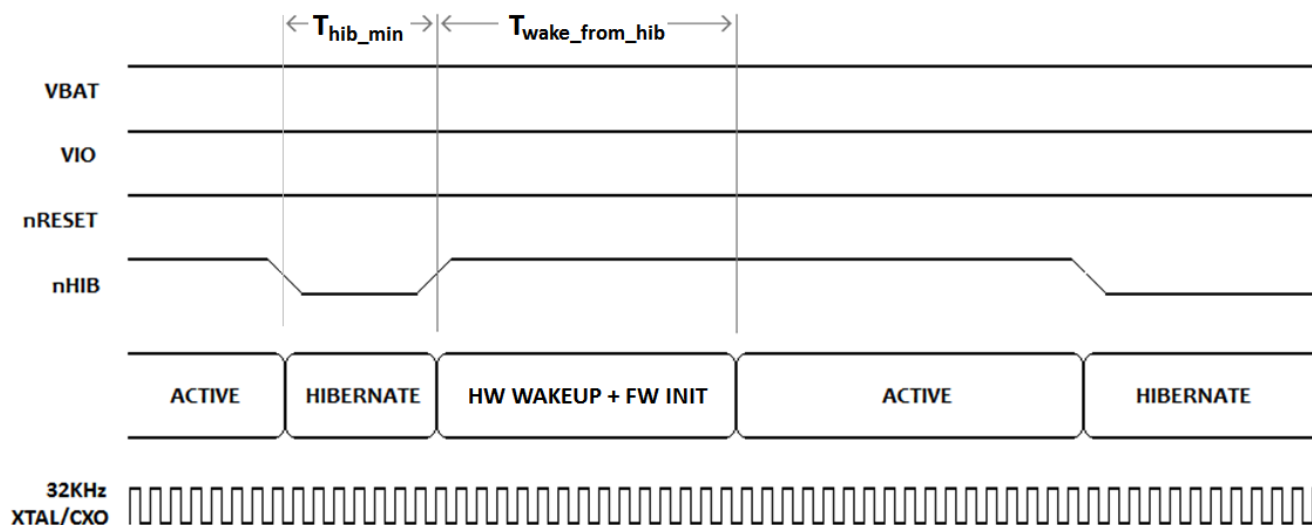


Figure 4-7. nHIB Timing Diagram

NOTE

The 32.768-kHz XTAL is kept enabled by default when the chip goes to hibernate in response to nHIB being pulled low.

Table 4-3 describes the timing requirements for nHIB.

Table 4-3. nHIB Timing Requirements

Item	Name	Description	Min	Typ	Max
T_{hib_min}	Minimum hibernate time	Minimum pulse width of nHIB = 0	10 ms		
$T_{wake_from_hib}$	Hardware wakeup time plus firmware initialization time	See ⁽¹⁾ .		50 ms	

(1) If temperature changes by more than 20°C, initialization time from HIB can increase by 200 ms due to radio calibration.

4.10.3 Clock Specifications

The CC3100 device requires two separate clocks for its operation:

- A slow clock running at 32.768 kHz is used for the RTC.
- A fast clock running at 40 MHz is used by the device for the internal processor and the WLAN subsystem.

The device features internal oscillators that enable the use of cheaper crystals rather than dedicated TCXOs for these clocks. The RTC can also be fed externally to provide reuse of an existing clock on the system and reduce overall cost.

4.10.3.1 Slow Clock Using Internal Oscillator

The RTC crystal connected on the device supplies the free-running slow clock. The accuracy of the slow clock frequency must be 32.768 kHz \pm 150 ppm. In this mode of operation, the crystal is tied between RTC_XTAL_P (pin 51) and RTC_XTAL_N (pin 52) with a suitable load capacitance.

Figure 4-8 shows the crystal connections for the slow clock.

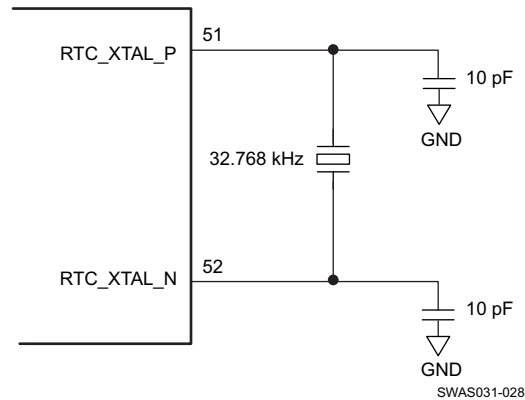


Figure 4-8. RTC Crystal Connections

4.10.3.2 Slow Clock Using an External Clock

When an RTC clock oscillator is present in the system, the CC3100 device can accept this clock directly as an input. The clock is fed on the RTC_XTAL_P line and the RTC_XTAL_N line is held to VIO. The clock must be a CMOS-level clock compatible with VIO fed to the device.

Figure 4-9 shows the external RTC clock input connection.

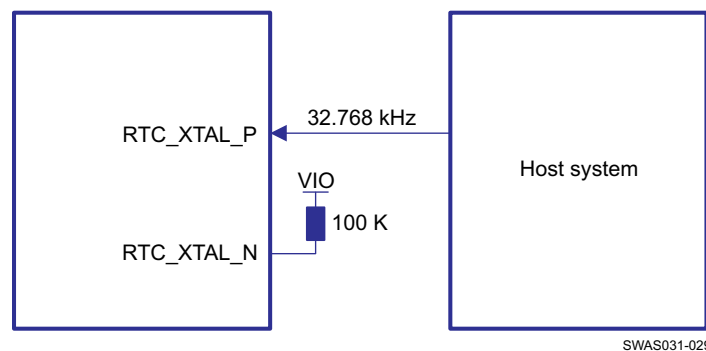


Figure 4-9. External RTC Clock Input

4.10.3.3 Fast Clock (F_{ref}) Using an External Crystal

The CC3100 device also incorporates an internal crystal oscillator to support a crystal-based fast clock. The XTAL is fed directly between WLAN_XTAL_P (pin 23) and WLAN_XTAL_N (pin 22) with suitable loading capacitors.

Figure 4-10 shows the crystal connections for the fast clock.

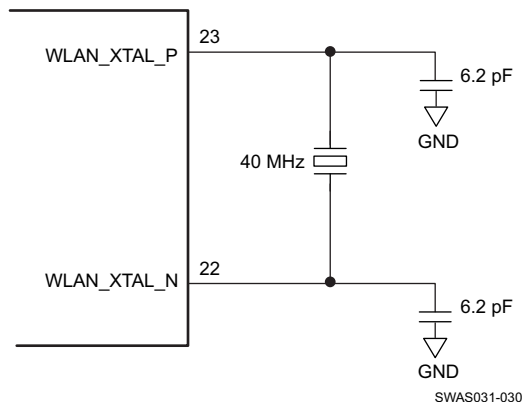


Figure 4-10. Fast Clock Crystal Connections

4.10.3.4 Fast Clock (F_{ref}) Using an External Oscillator

The CC3100 device can accept an external TCXO/XO for the 40-MHz clock. In this mode of operation, the clock is connected to WLAN_XTAL_P (pin 23). WLAN_XTAL_N (pin 22) is connected to GND. The external TCXO/XO can be enabled by TCXO_EN (pin 21) from the device to optimize the power consumption of the system.

If the TCXO does not have an enable input, an external LDO with an enable function can be used. Using the LDO improves noise on the TCXO power supply.

Figure 4-11 shows the connection.

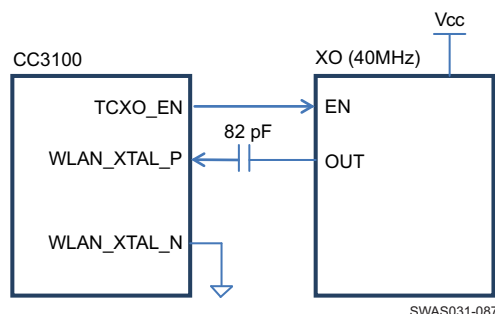


Figure 4-11. External TCXO Input

Table 4-4 lists the external F_{ref} clock requirements.

Table 4-4. External F_{ref} Clock Requirements (–40°C to +85°C)

Characteristics		Condition	Sym	Min	Typ	Max	Unit
Frequency					40.00		MHz
Frequency accuracy (Initial + temp + aging)						±20	ppm
Frequency input duty cycle				45	50	55	%
Clock voltage limits		Sine or clipped sine wave, AC coupled	Vpp	0.7		1.2	Vpp
Phase noise @ 40 MHz		@ 1 kHz				–125	dBc/Hz
		@ 10 kHz				–138.5	dBc/Hz
		@ 100 kHz				–143	dBc/Hz
Input impedance	Resistance			12			KΩ
	Capacitance					7	pF

4.10.3.5 Input Clocks/Oscillators

Table 4-5 lists the RTC crystal requirements.

Table 4-5. RTC Crystal Requirements

CHARACTERISTICS	CONDITION	SYM	MIN	TYP	MAX	UNIT
Frequency				32.768		kHz
Frequency accuracy	Initial + temp + aging				±150	ppm
Crystal ESR	32.768 kHz, C1 = C2 = 10 pF				70	kΩ

Table 4-6 lists the external RTC digital clock requirements.

Table 4-6. External RTC Digital Clock Requirements

CHARACTERISTICS	CONDITION	SYM	MIN	TYP	MAX	UNIT
Frequency				32768		Hz
Frequency accuracy (Initial + temp + aging)					±150	ppm
Input transition time t_r/t_f (10% to 90%)		t_r/t_f			100	ns
Frequency input duty cycle			20	50	80	%
Slow clock input voltage limits	Square wave, DC coupled	V_{ih}	$0.65 \times V_{IO}$		V_{IO}	V
		V_{il}	0		$0.35 \times V_{IO}$	V peak
Input impedance			1			MΩ
					5	pF

Table 4-7 lists the WLAN fast-clock crystal requirements.

Table 4-7. WLAN Fast-Clock Crystal Requirements

CHARACTERISTICS	CONDITION	SYM	MIN	TYP	MAX	UNIT
Frequency				40		MHz
Frequency accuracy	Initial + temp + aging				±20	ppm
Crystal ESR	40 MHz, C1 = C2 = 6.2 pF		40	50	60	Ohm

4.10.4 Interfaces

This section describes the interfaces that are supported by the CC3100 device:

- Host SPI
- Flash SPI
- Host UART

4.10.4.1 Host SPI Interface Timing

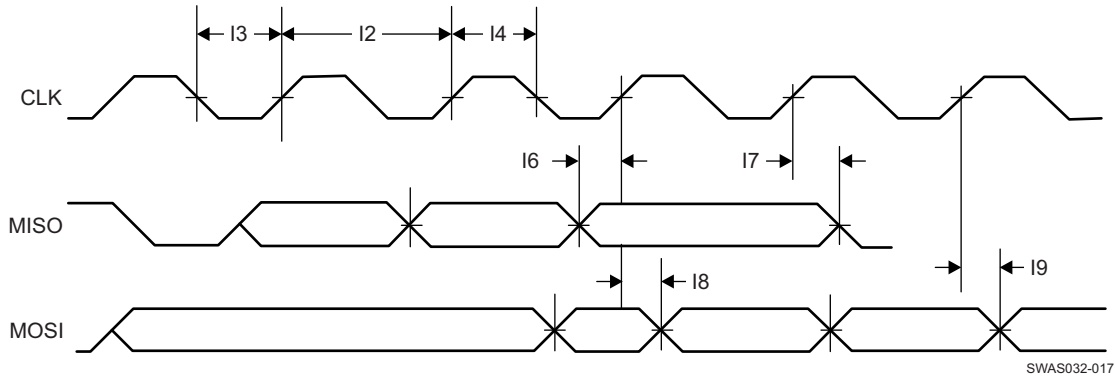


Figure 4-12. Host SPI Interface Timing

Table 4-8. Host SPI Interface Timing Parameters

Parameter Number	Parameter ⁽¹⁾	Parameter Name	Min	Max	Unit
I1	F	Clock frequency @ V _{BAT} = 3.3 V		20	MHz
		Clock frequency @ V _{BAT} ≤ 2.1 V		12	
I2	t _{clk}	Clock period	50		ns
I3	t _{LP}	Clock low period		25	ns
I4	t _{HT}	Clock high period		25	ns
I5	D	Duty cycle	45	55	%
I6	t _{IS}	RX data setup time	4		ns
I7	t _{IH}	RX data hold time	4		ns
I8	t _{OD}	TX data output delay		20	
I9	t _{OH}	TX data hold time		24	ns

(1) The timing parameter has a maximum load of 20 pf at 3.3 V.

4.10.4.2 Flash SPI Interface Timing

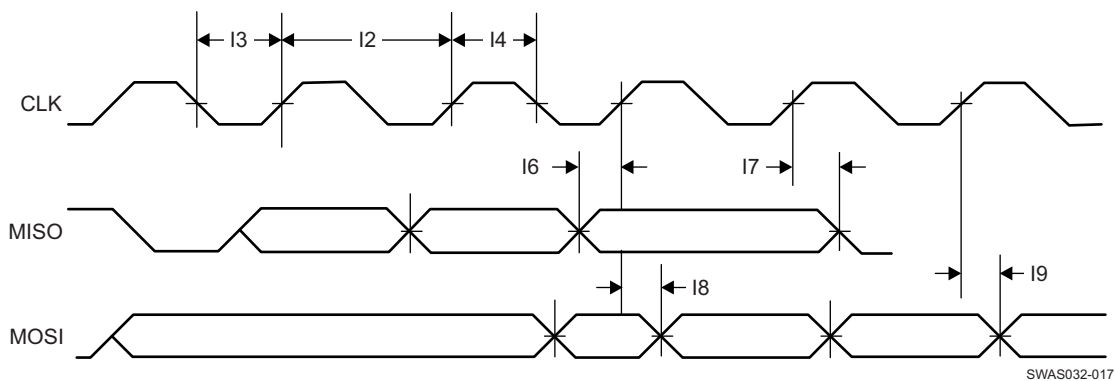


Figure 4-13. Flash SPI Interface Timing

Table 4-9. Flash SPI Interface Timing Parameters

Parameter Number	Parameter	Parameter Name	Min	Max	Unit
I1	F	Clock frequency		20	MHz
I2	t_{clk}	Clock period	50		ns
I3	t_{LP}	Clock low period		25	ns
I4	t_{HT}	Clock high period		25	ns
I5	D	Duty cycle	45	55	%
I6	t_{IS}	RX data setup time	1		ns
I7	t_{IH}	RX data hold time	2		ns
I8	t_{OD}	TX data output delay		8.5	ns
I9	t_{OH}	TX data hold time		8	ns

4.11 External Interfaces

4.11.1 SPI Flash Interface

The external serial flash stores the user profiles and firmware patch updates. The CC3100 device acts as a master in this case; the SPI serial flash acts as the slave device. This interface can work up to a speed of 20 MHz.

Figure 4-14 shows the SPI flash interface.

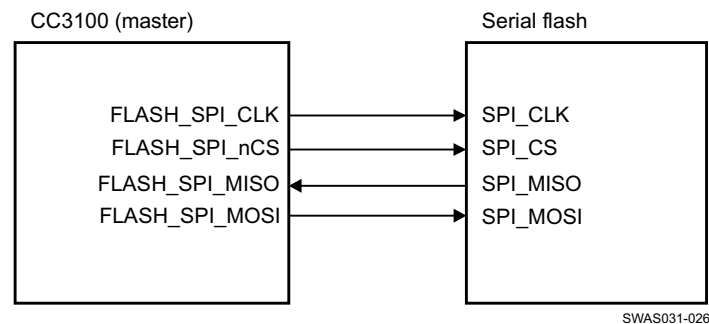
**Figure 4-14. SPI Flash Interface**

Table 4-10 lists the SPI flash interface pins.

Table 4-10. SPI Flash Interface

Pin Name	Description
FLASH_SPI_CLK	Clock (up to 20 MHz) CC3100 device to serial flash
FLASH_SPI_CS	CS (active low) signal from CC3100 device to serial flash
FLASH_SPI_MISO	Data from serial flash to CC3100 device
FLASH_SPI_MOSI	Data from CC3100 device to serial flash

4.11.2 SPI Host Interface

The device interfaces to an external host using the SPI interface. The CC3100 device can interrupt the host using the HOST_INTR line to initiate the data transfer over the interface. The SPI host interface can work up to a speed of 20 MHz.

Figure 4-15 shows the SPI host interface.

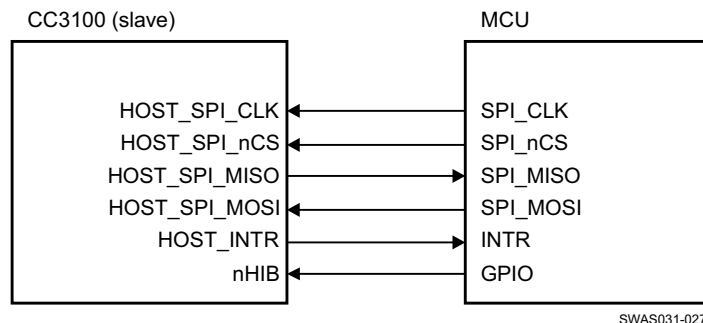


Figure 4-15. SPI Host Interface

Table 4-11 lists the SPI host interface pins.

Table 4-11. SPI Host Interface

Pin Name	Description
HOST_SPI_CLK	Clock (up to 20 MHz) from MCU host to CC3100 device
HOST_SPI_CS	CS (active low) signal from MCU host to CC3100 device
HOST_SPI_MOSI	Data from MCU host to CC3100 device
HOST_INTR	Interrupt from CC3100 device to MCU host
HOST_SPI_MISO	Data from CC3100 device to MCU host
nHIB	Active-low signal that commands the CC3100 device to enter hibernate mode (lowest power state)

4.12 Host UART

The SimpleLink device requires the UART configuration described in Table 4-12.

Table 4-12. SimpleLink UART Configuration

Property	Supported CC3100 Configuration
Baud rate	115200 bps, no auto-baud rate detection, can be changed by the host up to 3 Mbps using a special command
Data bits	8 bits
Flow control	CTS/RTS
Parity	None
Stop bits	1
Bit order	LSBit first
Host interrupt polarity	Active high
Host interrupt mode	Rising edge or level 1
Endianness	Little-endian only ⁽¹⁾

(1) The SimpleLink device does not support automatic detection of the host length while using the UART interface.

4.12.1 5-Wire UART Topology

Figure 4-16 shows the typical 5-wire UART topology comprised of 4 standard UART lines plus one IRQ line from the device to the host controller to allow efficient low power mode.

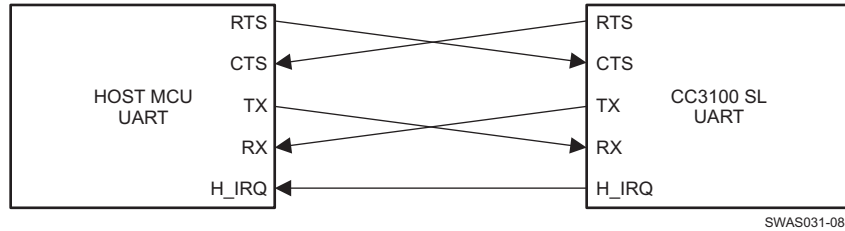


Figure 4-16. Typical 5-Wire UART Topology

This is the typical and recommended UART topology because it offers the maximum communication reliability and flexibility between the host and the SimpleLink device.

4.12.2 4-Wire UART Topology

The 4-wire UART topology eliminates the host IRQ line (see Figure 4-17). Using this topology requires one of the following conditions to be met:

- Host is always awake or active.
- Host goes to sleep but the UART module has receiver start-edge detection for auto wakeup and does not lose data.

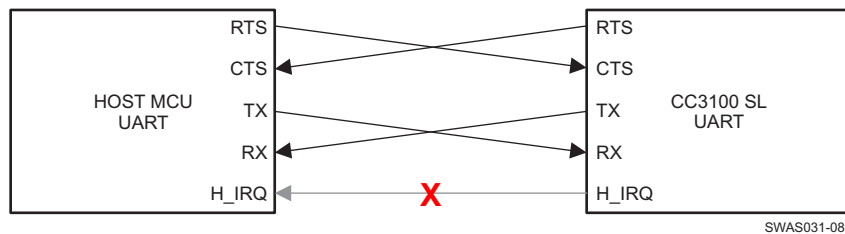


Figure 4-17. 4-Wire UART Configuration

4.12.3 3-Wire UART Topology

The 3-wire UART topology requires only the following lines (see Figure 4-18):

- RX
- TX
- CTS

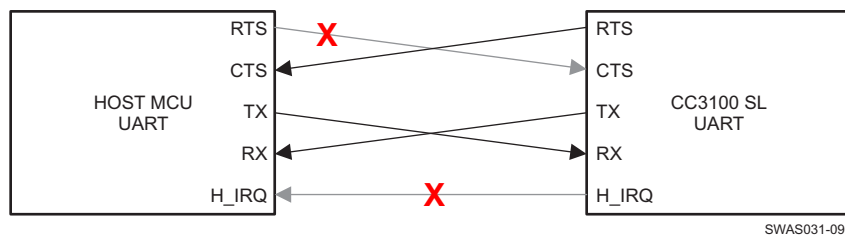


Figure 4-18. 3-Wire UART Topology

Using this topology requires one of the following conditions to be met:

- Host always stays awake or active.

- Host goes to sleep but the UART module has receiver start-edge detection for auto wakeup and does not lose data.
- Host can always receive any amount of data transmitted by the SimpleLink device because there is no flow control in this direction.

Because there is no full flow control, the host cannot stop the SimpleLink device to send its data; thus, the following parameters must be carefully considered:

- Max baud rate
- RX character interrupt latency and low-level driver jitter buffer
- Time consumed by the user's application

5 Detailed Description

5.1 Overview

5.1.1 Device Features

5.1.1.1 WLAN

- 802.11b/g/n integrated radio, modem, and MAC supporting WLAN communication as a BSS station with CCK and OFDM rates in the 2.4-GHz ISM band
- Auto-calibrated radio with a single-ended 50-Ω interface enables easy connection to the antenna without requiring expertise in radio circuit design.
- Advanced connection manager with multiple user-configurable profiles stored in an NVMEM allows automatic fast connection to an access point without user or host intervention.
- Supports all common Wi-Fi security modes for personal and enterprise networks with on-chip security accelerators
- SmartConfig technology: A 1-step, 1-time process to connect a CC3100-enabled device to the home wireless network, removing dependency on the I/O capabilities of the host MCU; thus, it is usable by deeply embedded applications.
- 802.11 transceiver mode: Allows transmitting and receiving of proprietary data through a socket without adding MAC or PHY headers. This mode provides the option to select the working channel, rate, and transmitted power. The receiver mode works together with the filtering options.

5.1.1.2 Network Stack

- Integrated IPv4 TCP/IP stack with BSD socket APIs for simple Internet connectivity with any MCU, microprocessor, or ASIC
- Support of eight simultaneous TCP, UDP, or RAW sockets
- Built-in network protocols: ARP, ICMP, DHCP client, and DNS client for easy connection to the local network and the Internet
- Service discovery: Multicast DNS service discovery lets a client advertise its service without a centralized server. After connecting to the access point, the CC3100 device provides critical information, such as device name, IP, vendor, and port number.

5.1.1.3 Host Interface and Driver

- Interfaces over a 4-wire serial peripheral interface (SPI) with any MCU or a processor at a clock speed of 20 MHz.
- Interfaces over UART with any MCU with a baud rate up to 3 Mbps. A low footprint driver is provided for TI MCUs and is easily ported to any processor or ASIC.
- Simple APIs enable easy integration with any single-threaded or multithreaded application.

5.1.1.4 System

- Works from a single preregulated power supply or connects directly to a battery
- Ultra-low leakage when disabled (hibernate mode) with a current of less than 4 μA with the RTC running
- Integrated clock sources

5.2 Functional Block Diagram

Figure 5-1 shows the functional block diagram of the CC3100 SimpleLink Wi-Fi solution.

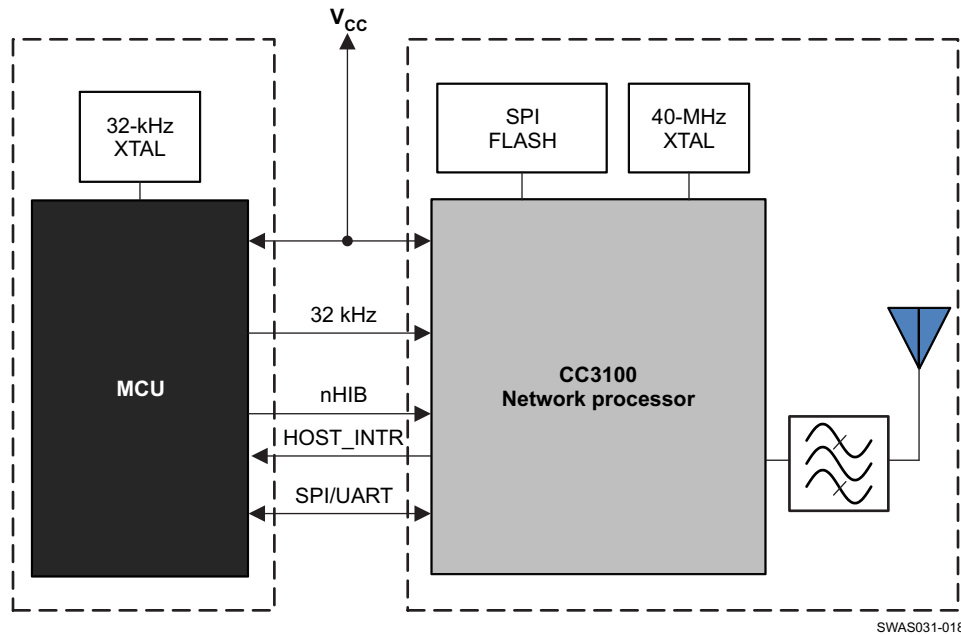


Figure 5-1. Functional Block Diagram

5.3 Wi-Fi Network Processor Subsystem

The Wi-Fi network processor subsystem includes a dedicated ARM MCU to completely offload the host MCU along with an 802.11 b/g/n radio, baseband, and MAC with a powerful crypto engine for a fast, secure WLAN and Internet connections with 256-bit encryption. The CC3100 device supports station, AP, and Wi-Fi Direct modes. The device also supports WPA2 personal and enterprise security and WPS 2.0. The Wi-Fi network processor includes an embedded IPv4 TCP/IP stack.

Table 5-1 summarizes the NWP features.

Table 5-1. Summary of Features Supported by the NWP Subsystem

Item	Domain	Category	Feature	Details
1	TCP/IP	Network Stack	IPv4	Baseline IPv4 stack
2	TCP/IP	Network Stack	TCP/UDP	Base protocols
3	TCP/IP	Protocols	DHCP	Client and server mode
4	TCP/IP	Protocols	ARP	Support ARP protocol
5	TCP/IP	Protocols	DNS/mDNS	DNS Address resolution and local server
6	TCP/IP	Protocols	IGMP	Up to IGMPv3 for multicast management
7	TCP/IP	Applications	mDNS	Support multicast DNS for service publishing over IP
8	TCP/IP	Applications	mDNS-SD	Service discovery protocol over IP in local network
9	TCP/IP	Applications	Web Server/HTTP Server	URL static and dynamic response with template.
10	TCP/IP	Security	TLS/SSL	TLS v1.2 (client/server)/SSL v3.0
11	TCP/IP	Security	TLS/SSL	For the supported Cipher Suite, go to SimpleLink Wi-Fi CC3100 SDK .
12	TCP/IP	Sockets	RAW Sockets	User-defined encapsulation at WLAN MAC/PHY or IP layers
13	WLAN	Connection	Policies	Allows management of connection and reconnection policy
14	WLAN	MAC	Promiscuous mode	Filter-based Promiscuous mode frame receiver

Table 5-1. Summary of Features Supported by the NWP Subsystem (continued)

Item	Domain	Category	Feature	Details
15	WLAN	Performance	Initialization time	From enable to first connection to open AP less than 50 ms
16	WLAN	Performance	Throughput	UDP = 16 Mbps
17	WLAN	Performance	Throughput	TCP = 12 Mbps
18	WLAN	Provisioning	WPS2	Enrollee using push button or PIN method.
19	WLAN	Provisioning	AP Config	AP mode for initial product configuration (with configurable Web page and beacon Info element)
20	WLAN	Provisioning	SmartConfig	Alternate method for initial product configuration
21	WLAN	Role	Station	802.11bgn Station with legacy 802.11 power save
22	WLAN	Role	Soft AP	802.11 bg single station with legacy 802.11 power save
23	WLAN	Role	P2P	P2P operation as GO
24	WLAN	Role	P2P	P2P operation as CLIENT
25	WLAN	Security	STA-Personal	WPA2 personal security
26	WLAN	Security	STA-Enterprise	WPA2 enterprise security
27	WLAN	Security	STA-Enterprise	EAP-TLS
28	WLAN	Security	STA-Enterprise	EAP-PEAPv0/TLS
29	WLAN	Security	STA-Enterprise	EAP-PEAPv1/TLS
30	WLAN	Security	STA-Enterprise	EAP-PEAPv0/MSCHAPv2
31	WLAN	Security	STA-Enterprise	EAP-PEAPv1/MSCHAPv2
32	WLAN	Security	STA-Enterprise	EAP-TTLS/EAP-TLS
33	WLAN	Security	STA-Enterprise	EAP-TTLS/MSCHAPv2
34	WLAN	Security	AP-Personal	WPA2 personal security

5.4 Power-Management Subsystem

The CC3100 power-management subsystem contains DC-DC converters to accommodate the differing voltage or current requirements of the system.

- Digital DC-DC
 - Input: VBAT wide voltage (2.1 to 3.6 V) or preregulated 1.85 V
- ANA1 DC-DC
 - Input: VBAT wide voltage (2.1 to 3.6 V)
 - In preregulated 1.85-V mode, the ANA1 DC-DC converter is bypassed.
- PA DC-DC
 - Input: VBAT wide voltage (2.1 to 3.6 V)
 - In preregulated 1.85-V mode, the PA DC-DC converter is bypassed.

In preregulated 1.85-V mode, the ANA1 DC-DC and PA DC-DC converters are bypassed. The CC3100 device is a single-chip WLAN radio solution used on an embedded system with a wide-voltage supply range. The internal power management, including DC-DC converters and LDOs, generates all of the voltages required for the device to operate from a wide variety of input sources. For maximum flexibility, the device can operate in the modes described in the following sections.

5.4.1 VBAT Wide-Voltage Connection

In the wide-voltage battery connection, the device is powered directly by the battery. All other voltages required to operate the device are generated internally by the DC-DC converters. This scheme is the most common mode for the device as it supports wide-voltage operation from 2.1 to 3.6 V (for electrical connections, see [Section 6.1.1, Typical Application – CC3100 Wide-Voltage Mode](#)).

5.4.2 Preregulated 1.85 V

The preregulated 1.85-V mode of operation applies an external regulated 1.85 V directly at the pins 10, 25, 33, 36, 37, 39, 44, 48, and 54 of the device. The VBAT and the VIO are also connected to the 1.85-V supply. This mode provides the lowest BOM count version in which inductors used for PA DC-DC and ANA1 DC-DC (2.2 and 1 μ H) and a capacitor (22 μ F) can be avoided. For electrical connections, see [Section 6.1.2, Typical Application – CC3100 Preregulated 1.85-V Mode](#).

In the preregulated 1.85-V mode, the regulator providing the 1.85 V must have the following characteristics:

- Load current capacity ≥ 900 mA.
- Line and load regulation with $< 2\%$ ripple with 500 mA step current and settling time of < 4 μ s with the load step.
- The regulator must be placed very close to the CC3100 device so that the IR drop to the device is very low.

5.5 Low-Power Operating Modes

This section describes the low-power modes supported by the device to optimize battery life.

5.5.1 Low-Power Deep Sleep

The low-power deep-sleep (LPDS) mode is an energy-efficient and transparent sleep mode that is entered automatically during periods of inactivity based on internal power optimization algorithms. The device can wake up in less than 3 ms from the internal timer or from any incoming host command. Typical battery drain in this mode is 115 μ A. During LPDS mode, the device retains the software state and certain configuration information. The operation is transparent to the external host; thus, no additional handshake is required to enter or exit this sleep mode.

5.5.2 Hibernate

The hibernate mode is the lowest power mode in which all of the digital logic is power-gated. Only a small section of the logic powered directly by the main input supply is retained. The real-time clock (RTC) is kept running and the device wakes up once the n_HIB line is asserted by the host driver. The wake-up time is longer than LPDS mode at about 50 ms.

5.6 Memory

5.6.1 External Memory Requirements

The CC3100 device maintains a proprietary file system on the SFLASH. The CC3100 file system stores the service pack file, system files, configuration files, certificate files, web page files, and user files. By using a format command through the API, users can provide the total size allocated for the file system. The starting address of the file system cannot be set and is always located at the beginning of the SFLASH. The applications microcontroller must access the SFLASH memory area allocated to the file system directly through the CC3100 file system. The applications microcontroller must not access the SFLASH memory area directly.

The file system manages the allocation of SFLASH blocks for stored files according to download order, which means that the location of a specific file is not fixed in all systems. Files are stored on SFLASH using human-readable file names rather than file IDs. The file system API works using plain text, and file encryption and decryption is invisible to the user. Encrypted files can be accessed only through the file system.

All file types can have a maximum of 128 supported files in the file system. All files are stored in blocks of 4KB and thus use a minimum of 4KB of flash space. Encrypted files with fail-safe support and optional security are twice the original size and use a minimum of 8KB. Encrypted files are counted as fail safe in terms of space. The maximum file size is 16MB.

Table 5-2 lists the SFLASH size recommendations.

Table 5-2. CC3100 SFLASH Size Recommendations

Item	Typical Fail-Safe	Typical NonFail-Safe
File system	20KB	20KB
Service pack	224KB	112KB
System and configuration files	216KB	108KB
Total	4Mb	2Mb
Recommended	8Mb	4Mb

The CC3100 device supports JEDEC specification SFDP (serial flash device parameters). The following SFLASH devices are verified for functionality with the CC3100 device in addition to the ones in the reference design:

- Micron (N25Q128-A13BSE40): 128Mb
- Spansion (S25FL208K): 8Mb
- Winbond (W25Q16V): 16Mb
- Adesto (AT25DF081A): 8Mb
- Macronix (MX25L12835F-M2): 128Mb

For compatibility with the CC3100 device, the SFLASH device must support the following commands:

- Command 0x9F (read the device ID [JEDEC]). Procedure: SEND 0x9F, READ 3 bytes.
- Command 0x05 (read the status of the SFLASH). Procedure: SEND 0x05, READ 1 byte. Assume bit 0 is busy and bit 1 is write enable.
- Command 0x06 (set write enable). Procedure: SEND 0x06, read status until write-enable bit is set.
- Command 0xC7 (chip erase). Procedure: SEND 0xC7, read status until busy bit is cleared.
- Command 0x03 (read data). Procedure: SEND 0x03, SEND 24-bit address, read n bytes.
- Command 0x02 (write page). Procedure: SEND 0x02, SEND 24-bit address, write n bytes ($0 < n < 256$).
- Command 0x20 (sector erase). Procedure: SEND 0x20, SEND 24-bit address, read status until busy bit is cleared. Sector size is assumed to be always 4K.

6 Applications and Implementation

6.1 Application Information

6.1.1 Typical Application – CC3100 Wide-Voltage Mode

Figure 6-1 shows the schematics for an application using the CC3100 wide-voltage mode.

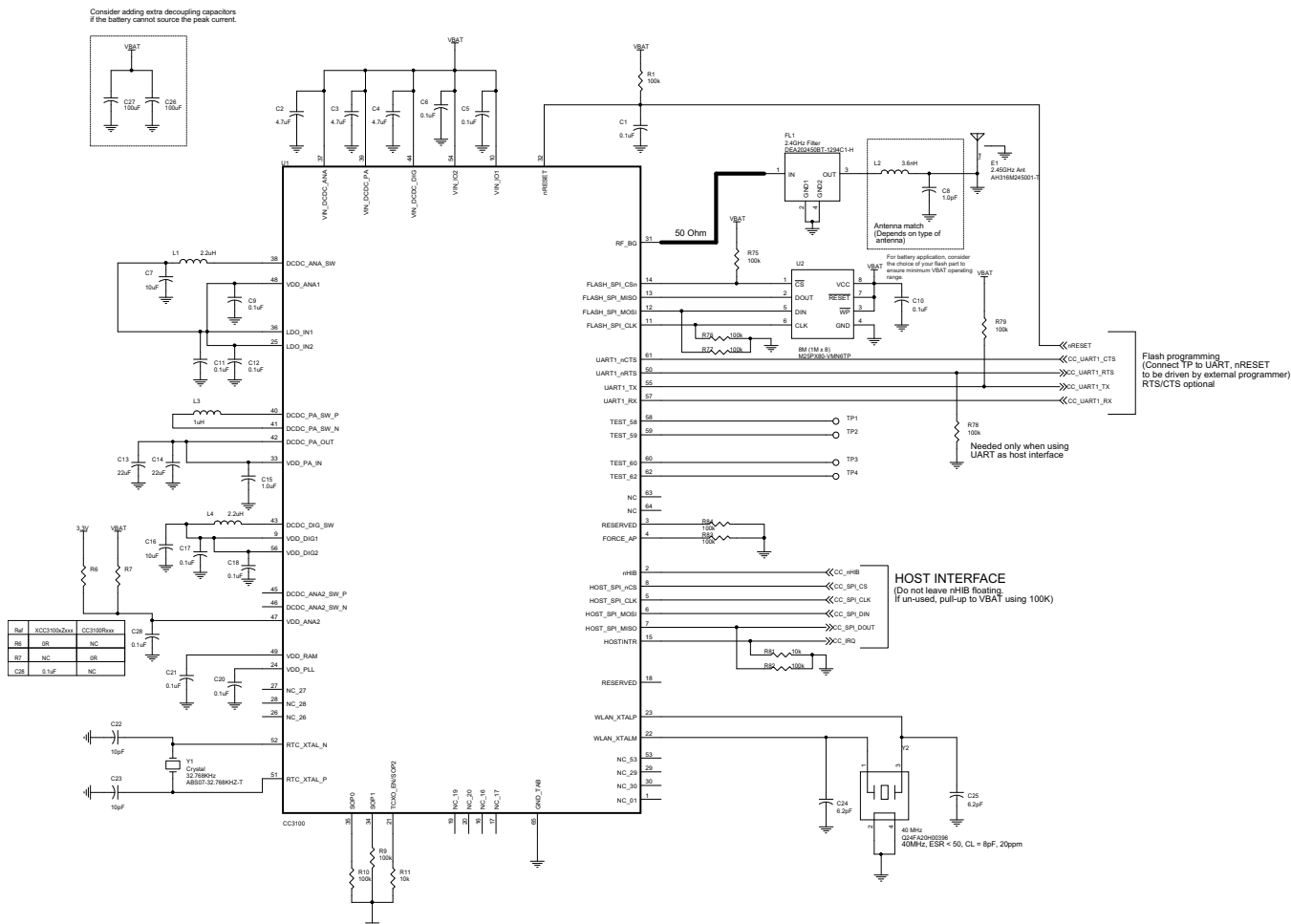


Figure 6-1. Schematics for CC3100 Wide-Voltage Mode Application

SWAS031-B

Table 6-1 lists the bill of materials for an application using the CC3100 wide-voltage mode.

Table 6-1. Bill of Materials for CC3100 Wide Voltage Mode Application

Item	Qty	Reference	Value	Manufacturer	Part Number	Description
1	12	C1 C5 C6 C9 C10 C11 C12 C17 C18 C20 C21 C28	0.1 μ F	Taiyo Yuden	LMK105BJ104KV-F	CAP CER 0.1 μ F 10 V 10% X5R 0402
2	3	C2 C3 C4	4.7 μ F	Samsung Electro-Mechanics America, Inc	CL05A475MQ5NRNC	CAP CER 4.7 μ F 6.3 V 20% X5R 0402
3	1	C8	1.0 pF	Murata Electronics North America	GJM1555C1H1R0BB01D	CAP CER 1 pF 50 V NP0 0402
4	1	C13	22 μ F	Taiyo Yuden	AMK107BBJ226MAHT	CAP CER 22 μ F 4 V 20% X5R 0603
5	1	C16	10 μ F	Murata Electronics North America	GRM188R60J106ME47D	CAP CER 10 μ F 6.3 V 20% X5R 0603
6	2	C22 C23	10 pF	Murata Electronics North America	GRM1555C1H100FA01D	CAP CER 10 pF 50 V 1% NP0 0402
7	2	C24 C25	6.2 pF	Kemet	CBR04C609B1GAC	CAP CER 6 pF 100 V NP0 0402
8	2	C26 C27	100 μ F	TDK Corporation	C3216X5R0J107M160AB	CAP CER 100 μ F 6.3 V 20% X5R 1206
9	1	E1	2.45G Hz Ant	Taiyo Yuden	AH316M245001-T	ANT BLUETOOTH WLAN ZIGBEE WIMAX
10	1	FL1	2.4G Hz Filter	TDK-Epcos	DEA202450BT-1294C1-H	FILTER BANDPASS 2.45 GHZ WLAN SMD
11	1	L2	3.6 nH	Murata Electronics North America	LQP15MN3N6B02D	INDUCTOR 3.6 nH 0.1 nH 0402
12	1	L4	2.2 μ H	Murata Electronics North America	LQM2HPN2R2MG0L	INDUCTOR 2.2 μ H 20% 1300 mA 1008
13	1	U1	CC3100	Texas Instruments	XCC3100RTD	802.11bg Wi-Fi Processor
14	1	U2	8M (1M x 8)	Winbond	W25Q80BWZPIG	IC FLASH 8 Mb 75 MHZ 8WS0N
15	1	Y1	Crystal	Abracon Corporation	ABS07-32.768KHZ-T	CRYSTAL 32.768 KHZ 12.5 pF SMD
16	1	Y2	Crystal	Epson	Q24FA20H00396	CRYSTAL 40 MHZ 8 pF SMD

6.1.2 Typical Application – CC3100 Preregulated 1.85-V Mode

Figure 6-2 shows the schematics for an application using the CC3100 preregulated 1.85-V mode.

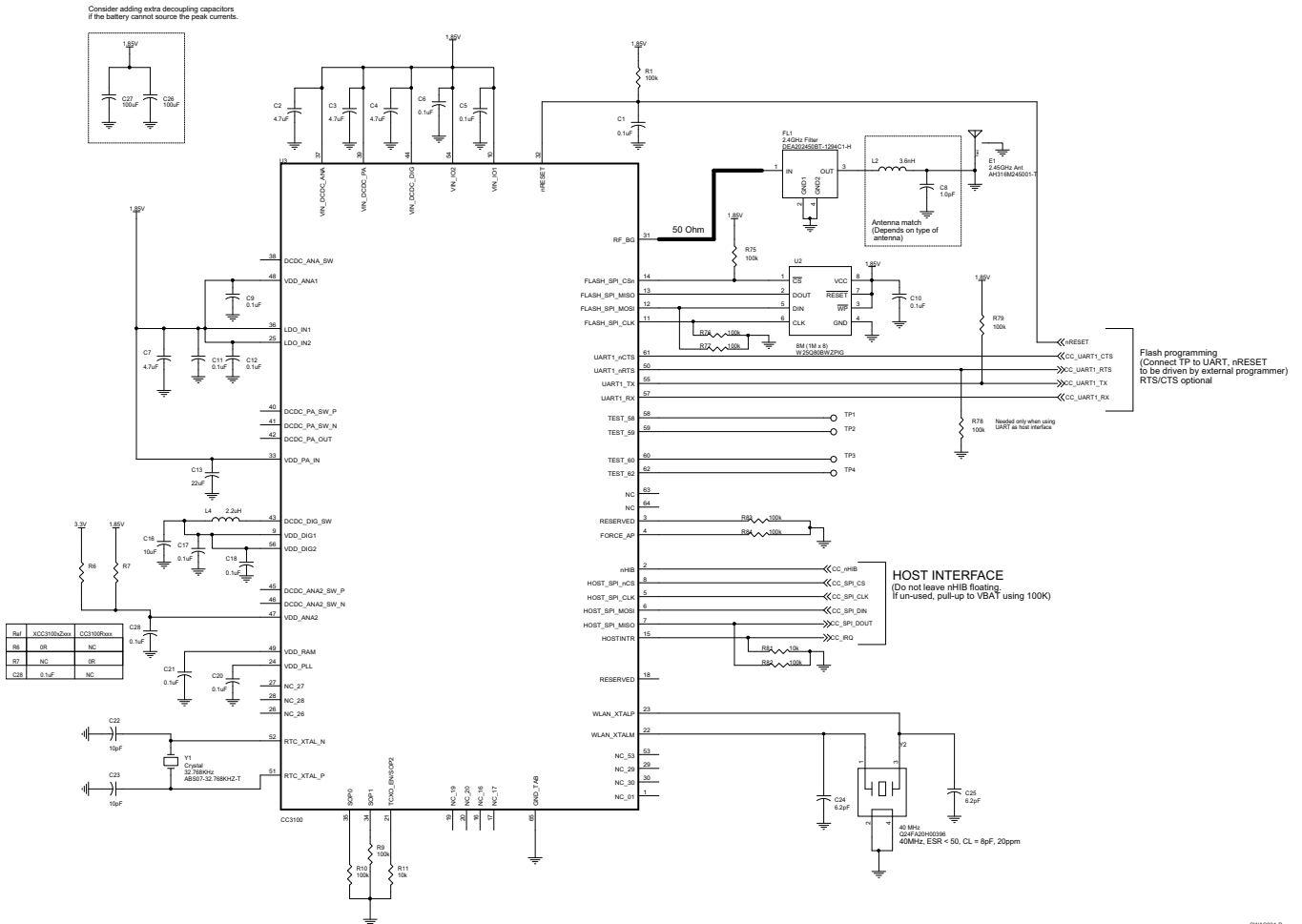


Figure 6-2. Schematics for CC3100 Preregulated 1.85-V Mode Application

Table 6-1 lists the bill of materials for an application using the CC3100 preregulated 1.85-V mode.

Table 6-2. Bill of Materials for CC3100 Preregulated 1.85-V Mode Application

Item	Qty	Reference	Value	Manufacturer	Part Number	Description
1	12	C1 C5 C6 C9 C10 C11 C12 C17 C18 C20 C21 C28	0.1 μ F	Taiyo Yuden	LMK105BJ104KV-F	Capacitor, Ceramic: 0.1 μ F 10 V 10% X5R 0402
2	4	C2 C3 C4 C7	4.7 μ F	Samsung Electro-Mechanics America, Inc	CL05A475MQ5NRNC	Capacitor, Ceramic: 4.7 μ F 6.3 V 20% X5R 0402
3	1	C8	1.0 pF	Murata Electronics North America	GJM1555C1H1R0BB01D	Capacitor, Ceramic: 1 pF 50 V NP0 0402
4	1	C13	22 μ F	Taiyo Yuden	AMK107BBJ226MAHT	Capacitor, Ceramic: 22 μ F 4 V 20% X5R 0603
5	1	C16	10 μ F	Murata Electronics North America	GRM188R60J106ME47D	Capacitor, Ceramic: 10 μ F 6.3 V 20% X5R 0603
6	2	C22 C23	10 pF	Murata Electronics North America	GRM1555C1H100FA01D	Capacitor, Ceramic: 10 pF 50 V 1% NP0 0402
7	2	C24 C25	6.2 pF	Kemet	CBR04C609B1GAC	Capacitor, Ceramic: 6 pF 100 V NP0 0402
8	2	C26 C27	100 μ F	TDK Corporation	C3216X5R0J107M160AB	Capacitor, Ceramic: 100 μ F 6.3 V 20% X5R 1206
9	1	E1	2.45-GHz Ant	Taiyo Yuden	AH316M245001-T	Antenna, Bluetooth: WLAN ZigBee WIMAX
10	1	FL1	2.4-GHz Filter	TDK-Epcos	DEA202450BT-1294C1-H	Filter, Bandpass: 2.45 GHz WLAN SMD
11	1	L2	3.6 nH	Murata Electronics North America	LQP15MN3N6B02D	Inductor: 3.6 nH 0.1 nH 0402
12	1	L4	2.2 μ H	Murata Electronics North America	LQM2HPN2R2MG0L	Inductor: 2.2 μ H 20% 1300 mA 1008
13	1	U1	CC3100	Texas Instruments	XCC3100RTD	802.11bg Wi-Fi Processor
14	1	U2	8M (1M x 8)	Winbond	W25Q80BWZPIG	IC Flash 8 Mb 75 MHz 8WSON
15	1	Y1	Crystal	Abracon Corporation	ABS07-32.768KHZ-T	Crystal 32.768 kHz 12.5 pF SMD
16	1	Y2	Crystal	Epson	Q24FA20H00396	Crystal 40 MHz 8 pF SMD

7 器件和文档支持

7.1 器件支持

7.1.1 开发支持

CC3100 评估板包括一组工具和文档，以便在开发阶段为用户提供帮助。

7.1.1.1 射频工具

SimpleLink 射频工具是一款在应用板开发期间操作和测试 CC3100 芯片组 RF 性能特性的实用工具。CC3100 器件具有自动校准射频，可实现与天线的轻松连接，而无需射频电路设计方面的专业知识。

7.1.1.2 Uniflash 闪存编程器

Uniflash 闪存编程器工具使得最终用户能够与 SimpleLink 器件通信来更新串行闪存。简便图形用户界面 (GUI) 接口可实现文件 (其中包括回读验证选项)、存储格式 (安全和非安全格式化) 的快速存取，针对引导加载程序和芯片 ID 等的版本读取。

7.1.2 器件命名规则

为了指明产品开发周期的所处阶段，TI 为 CC3100 器件和支持工具的产品型号分配了前缀 (请见 Figure 7-1)。



Figure 7-1. CC3100 器件命名规则

7.2 文档支持

以下文档为 CC3100 器件提供支持。

SWRU370	CC3100 和 CC3200 SimpleLink Wi-Fi 和 IoT 解决方案布局布线指南
SWRU375	CC3100 SimpleLink Wi-Fi 和 IoT 解决方案入门指南 详细信息
SWRU368	CC3100 SimpleLink Wi-Fi 和 IoT 解决方案编程人员指南
SWRU371	CC3100 SimpleLink Wi-Fi 和 IoT 解决方案 BoosterPack 硬件用户指南
SWRC288	CC3100 SimpleLink Wi-Fi 和 IoT 解决方案 Booster Pack 设计文件

7.3 社区资源

下列链接提供到 TI 社区资源的连接。链接的内容由各个分销商“按照原样”提供。这些内容并不构成 TI 技术规范 and 标准且不一定反映 TI 的观点；请见 TI 的[使用条款](#)。

[TI E2E™ 在线社区](#) [TI 工程师对工程师 \(E2E\) 社区](#)。此社区的创建目的是为了促进工程师之间协作。在 e2e.ti.com 中，您可以咨询问题、共享知识、探索思路，在同领域工程师的帮助下解决问题。

[德州仪器 \(TI\) 嵌入式处理器维基网站](#) [德州仪器 \(TI\) 嵌入式处理器维基网站](#)。此网站的建立是为了帮助开发人员从德州仪器 (TI) 的嵌入式处理器入门并且也为了促进与这些器件相关的硬件和软件的总体知识的创新和增长。

7.4 Trademarks

SimpleLink, Internet-On-a-Chip, SmartConfig, E2E are trademarks of Texas Instruments.
Wi-Fi, Wi-Fi Direct are registered trademarks of Wi-Fi Alliance.
All other trademarks are the property of their respective owners.

7.5 Electrostatic Discharge Caution



This integrated circuit can be damaged by ESD. Texas Instruments recommends that all integrated circuits be handled with appropriate precautions. Failure to observe proper handling and installation procedures can cause damage.

ESD damage can range from subtle performance degradation to complete device failure. Precision integrated circuits may be more susceptible to damage because very small parametric changes could cause the device not to meet its published specifications.

7.6 Glossary

[SLYZ022](#) — *TI Glossary*.

This glossary lists and explains terms, acronyms, and definitions.

8 机械封装和可订购信息

以下页中包括机械封装和可订购信息。 这些信息是针对指定器件可提供的最新数据。 这些数据会在无通知且不对本文档进行修订的情况下发生改变。 欲获得该数据表的浏览器版本，请查阅左侧的导航栏。

重要声明

德州仪器(TI)及其下属子公司有权根据 JESD46 最新标准,对所提供的产品和服务进行更正、修改、增强、改进或其它更改,并有权根据 JESD48 最新标准中止提供任何产品和服务。客户在下订单前应获取最新的相关信息,并验证这些信息是否完整且是最新的。所有产品的销售都遵循在订单确认时所提供的TI 销售条款与条件。

TI 保证其所销售的组件的性能符合产品销售时 TI 半导体产品销售条件与条款的适用规范。仅在 TI 保证的范围内,且 TI 认为有必要时才会使用测试或其它质量控制技术。除非适用法律做出了硬性规定,否则没有必要对每种组件的所有参数进行测试。

TI 对应用帮助或客户产品设计不承担任何义务。客户应对其使用 TI 组件的产品和应用自行负责。为尽量减小与客户产品和应用相关的风险,客户应提供充分的设计与操作安全措施。

TI 不对任何 TI 专利权、版权、屏蔽作品权或其它与使用了 TI 组件或服务的组合设备、机器或流程相关的 TI 知识产权中授予的直接或隐含权限作出任何保证或解释。TI 所发布的与第三方产品或服务有关的信息,不能构成从 TI 获得使用这些产品或服务的许可、授权、或认可。使用此类信息可能需要获得第三方的专利权或其它知识产权方面的许可,或是 TI 的专利权或其它知识产权方面的许可。

对于 TI 的产品手册或数据表中 TI 信息的重要部分,仅在没有对内容进行任何篡改且带有相关授权、条件、限制和声明的情况下才允许进行复制。TI 对此类篡改过的文件不承担任何责任或义务。复制第三方的信息可能需要服从额外的限制条件。

在转售 TI 组件或服务时,如果对该组件或服务参数的陈述与 TI 标明的参数相比存在差异或虚假成分,则会失去相关 TI 组件或服务的所有明示或暗示授权,且这是不正当的、欺诈性商业行为。TI 对任何此类虚假陈述均不承担任何责任或义务。

客户认可并同意,尽管任何应用相关信息或支持仍可能由 TI 提供,但他们将独力负责满足与其产品及其应用中使用的 TI 产品相关的所有法律、法规和安全相关要求。客户声明并同意,他们具备制定与实施安全措施所需的全部专业技术和知识,可预见故障的危险后果、监测故障及其后果、降低有可能造成人身伤害的故障的发生机率并采取适当的补救措施。客户将全额赔偿因在此类安全关键应用中使用任何 TI 组件而对 TI 及其代理造成的任何损失。

在某些场合中,为了推进安全相关应用有可能对 TI 组件进行特别的促销。TI 的目标是利用此类组件帮助客户设计和创立其特有的可满足适用的功能安全性标准和要求的终端产品解决方案。尽管如此,此类组件仍然服从这些条款。

TI 组件未获得用于 FDA Class III (或类似的生命攸关医疗设备)的授权许可,除非各方授权官员已经达成了专门管控此类使用的特别协议。

只有那些 TI 特别注明属于军用等级或“增强型塑料”的 TI 组件才是设计或专门用于军事/航空应用或环境的。购买者认可并同意,对并非指定面向军事或航空航天用途的 TI 组件进行军事或航空航天方面的应用,其风险由客户单独承担,并且由客户独力负责满足与此类使用相关的所有法律和法规要求。

TI 已明确指定符合 ISO/TS16949 要求的产品,这些产品主要用于汽车。在任何情况下,因使用非指定产品而无法达到 ISO/TS16949 要求, TI 不承担任何责任。

	产品		应用
数字音频	www.ti.com.cn/audio	通信与电信	www.ti.com.cn/telecom
放大器和线性器件	www.ti.com.cn/amplifiers	计算机及周边	www.ti.com.cn/computer
数据转换器	www.ti.com.cn/dataconverters	消费电子	www.ti.com.cn/consumer-apps
DLP® 产品	www.dlp.com	能源	www.ti.com.cn/energy
DSP - 数字信号处理器	www.ti.com.cn/dsp	工业应用	www.ti.com.cn/industrial
时钟和计时器	www.ti.com.cn/clockandtimers	医疗电子	www.ti.com.cn/medical
接口	www.ti.com.cn/interface	安防应用	www.ti.com.cn/security
逻辑	www.ti.com.cn/logic	汽车电子	www.ti.com.cn/automotive
电源管理	www.ti.com.cn/power	视频和影像	www.ti.com.cn/video
微控制器 (MCU)	www.ti.com.cn/microcontrollers		
RFID 系统	www.ti.com.cn/rfidsys		
OMAP应用处理器	www.ti.com.cn/omap		
无线连通性	www.ti.com.cn/wirelessconnectivity	德州仪器在线技术支持社区	www.deyisupport.com

邮寄地址: 上海市浦东新区世纪大道1568号, 中建大厦32楼邮政编码: 200122
Copyright © 2014, 德州仪器半导体技术(上海)有限公司

PACKAGING INFORMATION

Orderable Device	Status (1)	Package Type	Package Drawing	Pins	Package Qty	Eco Plan (2)	Lead/Ball Finish (6)	MSL Peak Temp (3)	Op Temp (°C)	Device Marking (4/5)	Samples
CC3100R11MRGC	ACTIVE	VQFN	RGC	64	260	Green (RoHS & no Sb/Br)	NIPDAU	Level-3-260C-168 HR	-40 to 85	CC3100R1	Samples
CC3100R11MRGCR	ACTIVE	VQFN	RGC	64	2500	Green (RoHS & no Sb/Br)	NIPDAU	Level-3-260C-168 HR	-40 to 85	CC3100R1	Samples

(1) The marketing status values are defined as follows:

ACTIVE: Product device recommended for new designs.

LIFEBUY: TI has announced that the device will be discontinued, and a lifetime-buy period is in effect.

NRND: Not recommended for new designs. Device is in production to support existing customers, but TI does not recommend using this part in a new design.

PREVIEW: Device has been announced but is not in production. Samples may or may not be available.

OBSELETE: TI has discontinued the production of the device.

(2) **RoHS:** TI defines "RoHS" to mean semiconductor products that are compliant with the current EU RoHS requirements for all 10 RoHS substances, including the requirement that RoHS substance do not exceed 0.1% by weight in homogeneous materials. Where designed to be soldered at high temperatures, "RoHS" products are suitable for use in specified lead-free processes. TI may reference these types of products as "Pb-Free".

RoHS Exempt: TI defines "RoHS Exempt" to mean products that contain lead but are compliant with EU RoHS pursuant to a specific EU RoHS exemption.

Green: TI defines "Green" to mean the content of Chlorine (Cl) and Bromine (Br) based flame retardants meet JS709B low halogen requirements of <=1000ppm threshold. Antimony trioxide based flame retardants must also meet the <=1000ppm threshold requirement.

(3) MSL, Peak Temp. - The Moisture Sensitivity Level rating according to the JEDEC industry standard classifications, and peak solder temperature.

(4) There may be additional marking, which relates to the logo, the lot trace code information, or the environmental category on the device.

(5) Multiple Device Markings will be inside parentheses. Only one Device Marking contained in parentheses and separated by a "-" will appear on a device. If a line is indented then it is a continuation of the previous line and the two combined represent the entire Device Marking for that device.

(6) Lead/Ball Finish - Orderable Devices may have multiple material finish options. Finish options are separated by a vertical ruled line. Lead/Ball Finish values may wrap to two lines if the finish value exceeds the maximum column width.

Important Information and Disclaimer:The information provided on this page represents TI's knowledge and belief as of the date that it is provided. TI bases its knowledge and belief on information provided by third parties, and makes no representation or warranty as to the accuracy of such information. Efforts are underway to better integrate information from third parties. TI has taken and continues to take reasonable steps to provide representative and accurate information but may not have conducted destructive testing or chemical analysis on incoming materials and chemicals. TI and TI suppliers consider certain information to be proprietary, and thus CAS numbers and other limited information may not be available for release.

In no event shall TI's liability arising out of such information exceed the total purchase price of the TI part(s) at issue in this document sold by TI to Customer on an annual basis.

TAPE AND REEL INFORMATION



QUADRANT ASSIGNMENTS FOR PIN 1 ORIENTATION IN TAPE



*All dimensions are nominal

Device	Package Type	Package Drawing	Pins	SPQ	Reel Diameter (mm)	Reel Width W1 (mm)	A0 (mm)	B0 (mm)	K0 (mm)	P1 (mm)	W (mm)	Pin1 Quadrant
CC3100R11MRGCR	VQFN	RGC	64	2500	330.0	16.4	9.3	9.3	1.1	12.0	16.0	Q2

TAPE AND REEL BOX DIMENSIONS



*All dimensions are nominal

Device	Package Type	Package Drawing	Pins	SPQ	Length (mm)	Width (mm)	Height (mm)
CC3100R11MRGCR	VQFN	RGC	64	2500	367.0	367.0	38.0

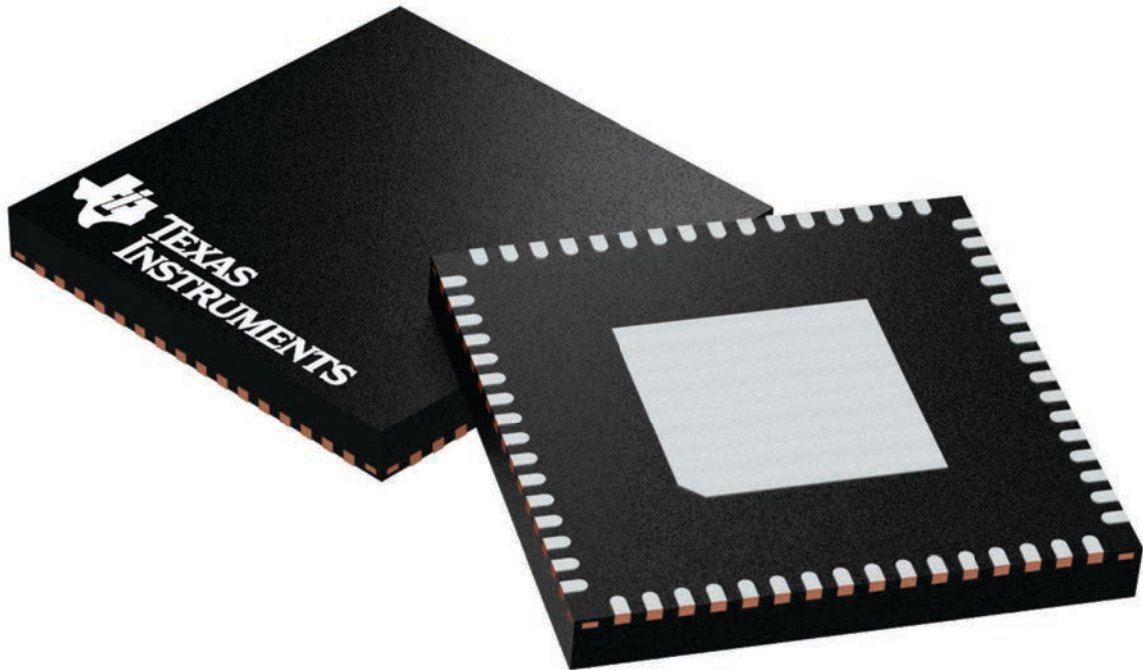
GENERIC PACKAGE VIEW

RGC 64

VQFN - 1 mm max height

9 x 9, 0.5 mm pitch

PLASTIC QUAD FLATPACK - NO LEAD

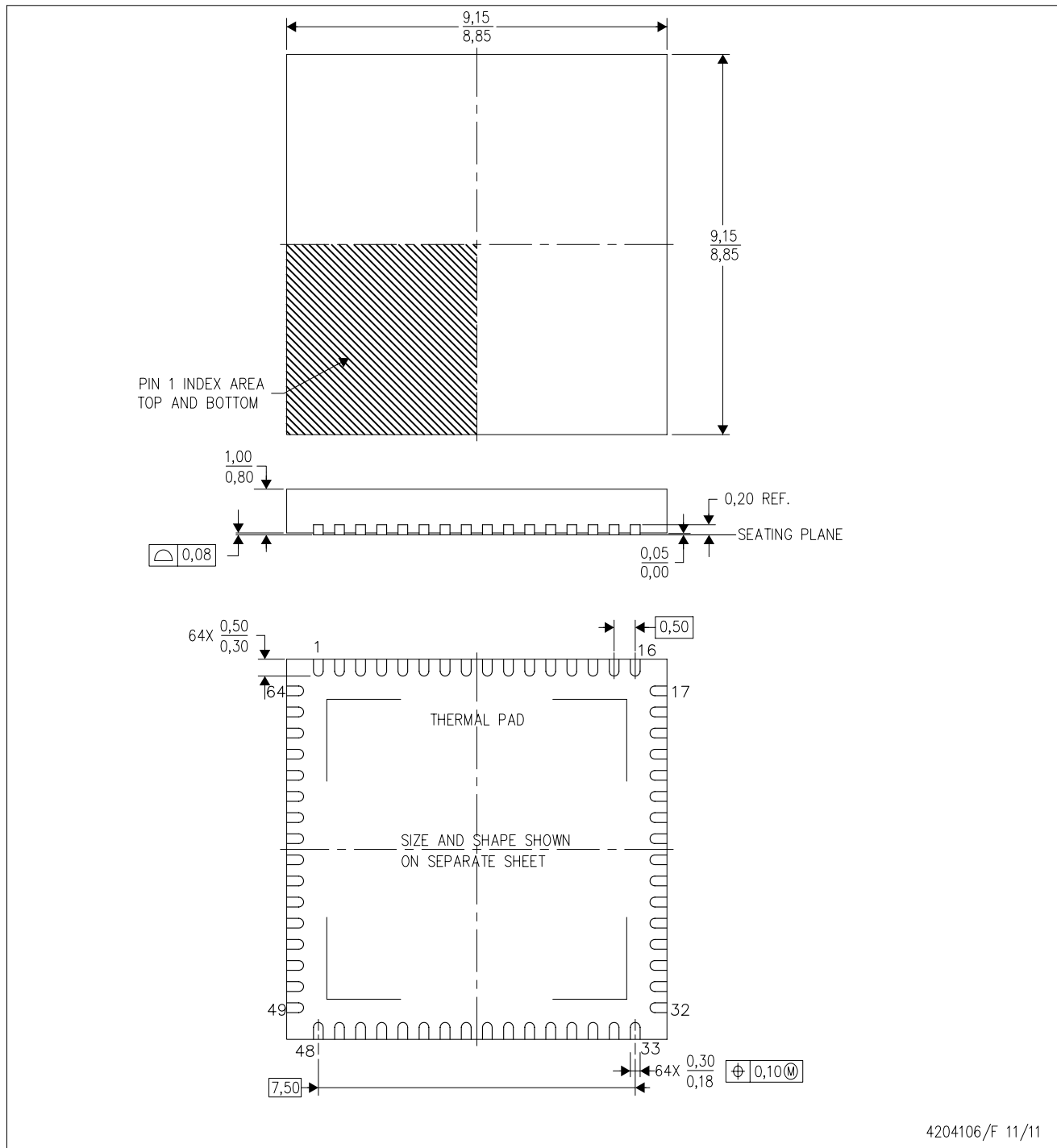


Images above are just a representation of the package family, actual package may vary.
Refer to the product data sheet for package details.

4224597/A

MECHANICAL DATA

RGC(S-PVQFN-N64) CUSTOM DEVICE PLASTIC QUAD FLATPACK NO-LEAD



- NOTES:
- All linear dimensions are in millimeters. Dimensioning and tolerancing per ASME Y14.5-1994.
 - This drawing is subject to change without notice.
 - Quad Flatpack, No-leads (QFN) package configuration.
 - The package thermal pad must be soldered to the board for thermal and mechanical performance.
 - See the additional figure in the Product Data Sheet for details regarding the exposed thermal pad features and dimensions.

THERMAL PAD MECHANICAL DATA

RGC (S-PVQFN-N64)

PLASTIC QUAD FLATPACK NO-LEAD

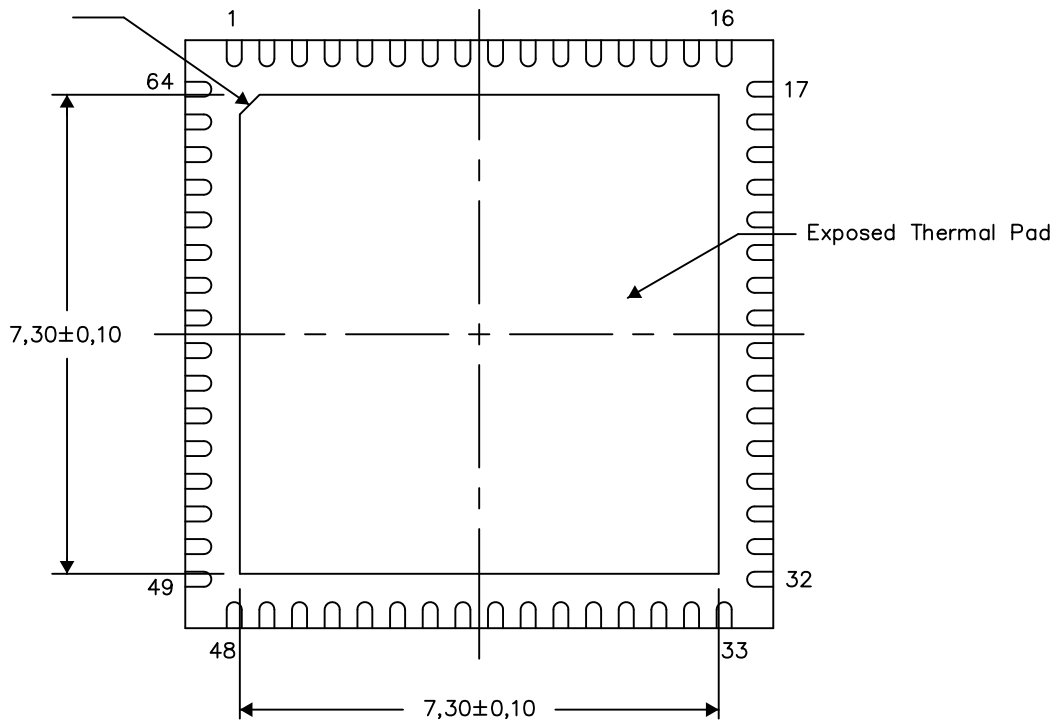
THERMAL INFORMATION

This package incorporates an exposed thermal pad that is designed to be attached directly to an external heatsink. The thermal pad must be soldered directly to the printed circuit board (PCB). After soldering, the PCB can be used as a heatsink. In addition, through the use of thermal vias, the thermal pad can be attached directly to the appropriate copper plane shown in the electrical schematic for the device, or alternatively, can be attached to a special heatsink structure designed into the PCB. This design optimizes the heat transfer from the integrated circuit (IC).

For information on the Quad Flatpack No-Lead (QFN) package and its advantages, refer to Application Report, QFN/SON PCB Attachment, Texas Instruments Literature No. SLUA271. This document is available at www.ti.com.

The exposed thermal pad dimensions for this package are shown in the following illustration.

PIN 1 INDICATOR
CO,30



Bottom View

Exposed Thermal Pad Dimensions

4206192-14/AE 03/15

NOTE: A. All linear dimensions are in millimeters

重要声明和免责声明

TI 均以“原样”提供技术性及其可靠性数据（包括数据表）、设计资源（包括参考设计）、应用或其他设计建议、网络工具、安全信息和其他资源，不保证其中不含任何瑕疵，且不做任何明示或暗示的担保，包括但不限于对适销性、适合某特定用途或不侵犯任何第三方知识产权的暗示担保。

所述资源可供专业开发人员应用TI 产品进行设计使用。您将对以下行为独自承担全部责任：(1) 针对您的应用选择合适的TI 产品；(2) 设计、验证并测试您的应用；(3) 确保您的应用满足相应标准以及任何其他安全、安保或其他要求。所述资源如有变更，恕不另行通知。TI 对您使用所述资源的授权仅限于开发资源所涉及TI 产品的相关应用。除此之外不得复制或展示所述资源，也不提供其它TI 或任何第三方的知识产权授权许可。如因使用所述资源而产生任何索赔、赔偿、成本、损失及债务等，TI 对此概不负责，并且您须赔偿由此对TI 及其代表造成的损害。

TI 所提供产品均受TI 的销售条款 (<http://www.ti.com.cn/zh-cn/legal/termsofsale.html>) 以及ti.com.cn 上或随附TI 产品提供的其他可适用条款的约束。TI 提供所述资源并不扩展或以其他方式更改TI 针对TI 产品所发布的可适用的担保范围或担保免责声明。

邮寄地址：上海市浦东新区世纪大道 1568 号中建大厦 32 楼，邮政编码：200122

Copyright © 2020 德州仪器半导体技术（上海）有限公司