

设计指南: TIDA-010030

精确计量和 50 μ A 待机电流、13 节、48V 锂离子电池组参考设计



说明

此参考设计是一种低待机和运输模式电流消耗、高 SOC 计量精度、13 节、48V 锂离子电池组设计。它能够非常精确地监控每节电池的电压以及电池组的电流和温度，并防止锂离子电池组出现过压、欠压、过热和过流现象。基于 bq34z100-g1 的 SOC 计量利用阻抗跟踪算法，可以在室温下实现高达 2% 的精度。利用精心设计的辅助电源策略和高效的低静态电流直流/直流转换器 LM5164，此设计可实现 50 μ A 待机功耗和 5 μ A 运输模式功耗，因此能够节省更多能源并允许更长的运输时间和空闲时间。此参考设计用于 2 层 PCB。此外，此设计还支持运行良好的固件，这有助于缩短产品研发时间。

资源

[TIDA-010030](#)

[BQ34Z100-G1](#)、[BQ76940](#)、[BQ76200](#)、[BQ7718](#)

[MSP430FR2155](#)

[LM5164](#)

[SN6501](#)

[THVD1500](#)

[ISO1042](#)

设计文件夹

产品文件夹

产品文件夹

产品文件夹

产品文件夹

产品文件夹

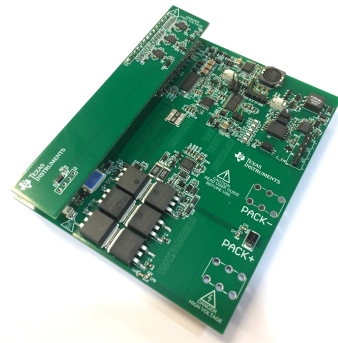
产品文件夹

特性

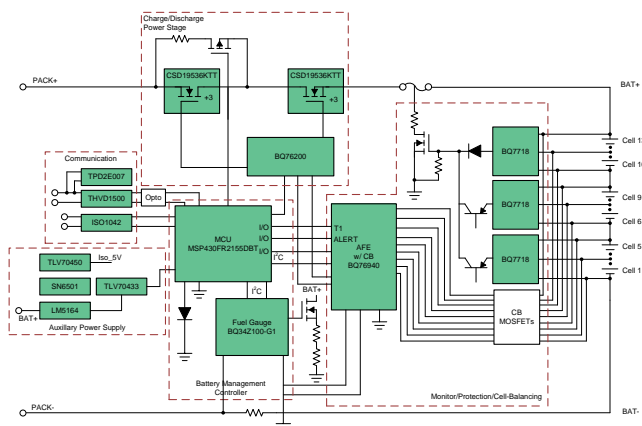
- 在室温条件下可实现 2% 的电池组 SOC 精度。
- 在待机模式下仅消耗 50 μ A 电流
- 运输模式下电流消耗为 5 μ A
- 可编程的强大保护功能，包括：电池过压、电池欠压、过流放电、短路、过热和过冷
- 支持 100mA 电池平衡
- 高侧充电和放电 MOSFET，支持预放电功能

应用

- 电动自行车电池组
- 电动踏板车电池组
- 割草机器人电池组
- UPS 锂离子电池组
- 其他超过 10 节的电池组 应用



咨询我们的 E2E™ 专家





该 TI 参考设计末尾的重要声明表述了授权使用、知识产权问题和其他重要的免责声明和信息。

1 System Description

The e-bike market is growing rapidly. Because of the weight limited and longer endurance request, the battery cell chemistries of the battery pack is shifting to Li-ion, Li-polymer, or Li-iron phosphate types. These chemistries are good in both volumetric and gravimetric energy density. While these chemistries provide high energy density and thereby lower volume and weight as an advantage, they are associated with safety concerns and need more complicated monitoring and accuracy capacity gauging. Those concerns are undervoltage (UV) and overvoltage (OV), over temperature (OT), and overcurrent (OC), over discharge and charge current, all which contribute to the accelerating cell degradation and may lead to thermal runaway and explosion. Therefore the pack current, temperature and each cell voltages should be timely monitored in case of some unusual situations. And pack must be protected against all these situations. The capacity gauging is able to calculate how much capacity is still stored in the pack and predict the run-time and charge time, avoiding suddenly shutdown when ridding the e-bike. A good accuracy gauging design can also extend run-time because it allows users using all available battery capacity without damaging the battery cells. Another important feature is the current consumption when the e-bike is in ship mode or idle.

This design is mainly focus on e-bike battery pack applications and also suitable for other high cell applications, such as e-scooter battery pack, mowing robot battery pack, etc. It contains both primary and secondary protection to ensure safety use of the battery pack. The primary protection will protect the battery pack against all unusual situations, including: over voltage, under voltage, over discharge current, short circuit, over temperature and under temperature. The secondary protection which uses hardware over voltage protection is an add on board with is easily remove and added based on actual demands. This design utilizes Impedance Track™ gauging algorithm which helps to achieve very high SOC gauging accuracy even for old battery cells or at low or high temperature. Meanwhile, this design carefully designs the auxiliary power and firmware, which achieves quite low ship mode and standby mode current consumption (5- μ A for ship mode and 50- μ A for standby mode). Also, this design supports a well running firmware based on a low power consumption MSP430™ MCU MSP430FR2155. This will definitely give a lot help for customers' system design.

1.1 Key System Specifications

The most important there features are 50- μ A standby current consumption, smooth SOC gauging at low temperature and 5- μ A ship mode current consumption. 表 1 lists other features.

表 1. Key System Specifications

PARAMETER	Conditions	Spec Range			Unit
		Minimum	Typical	Maximum	
Cell architecture	Li-ion Battery		13S		
Stack Voltage	Li-ion Battery	36	48	55	V
Cell Balancing Current	Li-ion Battery			100	mA
SOC accuracy of fuel gauging	25°C		2		%
Charge Current			10		A
Discharge Current			20	30	A
Pre-discharge Current			0.2		A
Primary OV protection	Threshold		4200		mV
	Delay		2		s
Secondary OV protection	Threshold		4300		mV
	Delay		4		s
UV protection			2900		mV
OCD protection			36		A
SCD protection			56		A
Over Temperature Protection	Charge		55		°C
	Discharge		60		°C
Under Temperature Protection	Charge		0		°C
	Discharge		-20		°C
Communication speed	RS-485		9600	19200	kbps
Standby mode current consumption			50		μ A
Shipping mode current consumption			5		μ A

2 System Overview

2.1 Block Diagram

图 1. TIDA-010030 Block Diagram

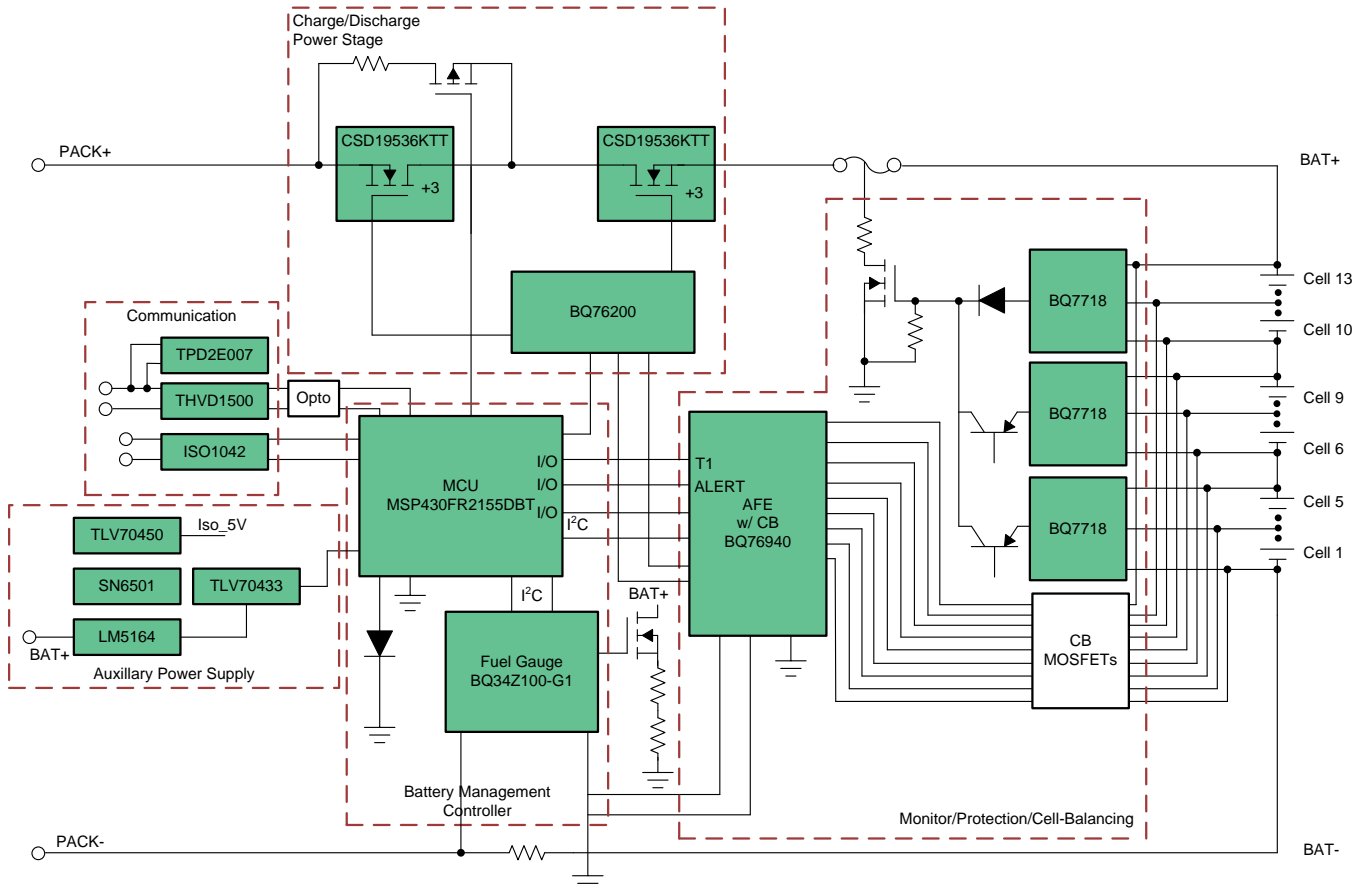


图 1 shows the system diagram containing several sub systems: monitor/protection/cell-balancing, battery management controller, auxiliary power supply, charge/discharge power stage, and communication. The battery cell monitoring and balancing uses TI 9-15S AFE bq76940 to monitoring each cell voltage and pack current and temperature, it also integrates over voltage and under voltage hardware protection, cell balancing and charge and discharge FET drivers. The battery gauging utilizes Impedance Track™ gauging algorithm based device bq34z100-g1 which can handle large cell packs. There is a lower power MSP430™ MCU MSP430FR2155 which will configure AFE, read data from AFE and gauge and upload all the requested information to system side. The design firmware is open framed which will give some help for customers' system design. The secondary protection is a add-on function, which is easily removed and added based customers' request.

2.2 Highlighted Products

2.2.1 BQ76940

The BQ76940 of robust AFE device serves as part of a complete pack monitoring and protection solution for next-generation high-power systems, such as light electric vehicles, power tools, and uninterruptible power supplies. The BQ76940 is designed with low power in mind: Sub-blocks within the IC may be enabled or disabled to control the overall chip current consumption, and a SHIP mode provides a simple way to put the pack into an ultra-low power state. The BQ76940 supports 9 cells to 15 cells providing measurement of individual cell voltages. This AFE can measure a variety of battery chemistries, including Li-ion, Li-iron phosphate, and more. A coulomb counter is provided for current measurement. Three thermistors are provided for temperature measurement. Hardware protection features are configured by registers set by the system controller and automatically switch off charge and discharge. Through I²C, a host controller can use the BQ76940 to implement many battery pack management functions such as monitoring (cell voltages, pack current, pack temperatures), protection (controlling charge or discharge FETs), and balancing. Integrated ADCs enable a purely digital readout of critical system parameters with calibration handled in TI's manufacturing process.

2.2.2 BQ34Z100-G1

The bq34z100-G1 device is an Impedance Track™ fuel gauge for Li-Ion, PbA, NiMH, and NiCd batteries, and works independently of battery series-cell configurations. Batteries from 3 V to 65 V can be easily supported through an external voltage translation circuit that is controlled automatically to reduce system power consumption. The bq34z100-G1 device provides several interface options, including an I²C slave, an HDQ slave, one or four direct LEDs, and an ALERT output pin. Additionally, the bq34z100-G1 provides support for an external port expander for more than four LEDs.

2.2.3 BQ76200

The bq76200 device is a low-power, high-side, N-Channel system. A high-side protection avoids ground disconnection in the system and also allows continuous communication between the battery pack and host system. The device has additional P-Channel FET control to allow low-current pre-charge to a deeply depleted battery or pre-discharge to a capacitive load, and a PACK+ voltage monitor control for the host to sense the PACK+ voltage. The independent enable inputs allow CHG and DSG FETs to be turned on and off separately, offering great implementation flexibility in battery systems. The bq76200 device can be used with a companion Analog Front End device such as the bq76920/30/40 family, a 3-series to 15-series Cell Analog Front End Monitoring, and a host microcontroller or dedicated state-of-charge (SOC) tracking gas gauge device.

2.2.4 MSP430FR2155

MSP430FR215x micro-controller (MCUs) is part of the MSP430™ MCU value line portfolio of ultra-low-power low-cost devices for sensing and measurement applications. The device includes a 12-channels 12-bit ADC and two comparators. The MSP430FR215x supports an extended temperature range from -40° up to 105°C, so higher temperature industrial applications can benefit from the FRAM data-logging capabilities of the device. The extended temperature range allows developers to meet requirements of applications such as smoke detectors, sensor transmitters, and circuit breakers. The MSP430FR215x features a powerful 16-bit RISC CPU, 16-bit registers, and a constant generator that contribute to maximum code efficiency. The digitally controlled oscillator (DCO) allows the device to wake up from low-power modes to active mode typically in less than 10 μs. The MSP430 ultra-low-power (ULP) FRAM

microcontroller platform combines uniquely embedded FRAM and a holistic ultra-low-power system architecture, allowing system designers to increase performance while lowering energy consumption. FRAM technology combines the low-energy fast writes, flexibility, and endurance of RAM with the nonvolatile behavior of flash. MSP430FR215x is supported by an extensive hardware and software ecosystem with reference designs and code examples to get your design started quickly.

2.2.5 LM5164

The LM5164 synchronous buck converter is designed to regulate over a wide input voltage range, minimizing the need for external surge suppression components. A minimum controllable on-time of 50 ns facilitates large step-down conversion ratios, enabling the direct step-down from a 48 V nominal input to low-voltage rails for reduced system complexity and solution cost. The LM5164 operates during input voltage dips as low as 6 V, at nearly 100% duty cycle if needed, making it an excellent choice for wide input supply range industrial and high cell count battery pack applications. With integrated high-side and low-side power MOSFETs, the LM5164 delivers up to 1 A of output current. A constant on-time (COT) control architecture provides nearly constant switching frequency with excellent load and line transient response. Additional features of the LM5164 include ultra-low IQ and diode emulation mode operation for high light-load efficiency, innovative peak and valley overcurrent protection, integrated VCC bias supply and bootstrap diode, precision enable and input UVLO, and thermal shutdown protection with automatic recovery. An open-drain PGOOD indicator provides sequencing, fault reporting, and output voltage monitoring. The LM5164 is available in a thermally-enhanced, 8-pin SO PowerPAD™ package. Its 1.27-mm pin pitch provides adequate spacing for high-voltage applications.

2.2.6 THVD1500

THVD1500 is a robust half-duplex RS-485 transceiver for industrial applications. The bus pins are immune to high levels of IEC Contact Discharge ESD events eliminating need of additional system level protection components. The device operates from a single 5-V supply. The wide common-mode voltage range and low input leakage on bus pins make THVD1500 suitable for multi-point applications over long cable runs. THVD1500 is available in industry standard 8-pin SOIC package for drop-in compatibility. The device is characterized from -40°C to 125°C.

2.2.7 ISO1042

The ISO1042 device is a galvanically-isolated controller area network (CAN) transceiver that meets the specifications of the ISO11898-2 (2016) standard. The ISO1042 device offers ± 70 -V DC bus fault protection and ± 30 -V common-mode voltage range. The device supports up to 5-Mbps data rate in CAN FD mode allowing much faster transfer of payload compared to classic CAN. This device uses a silicon dioxide (SiO₂) insulation barrier with a withstand voltage of 5000 VRMS and a working voltage of 1060 VRMS. Electromagnetic compatibility has been significantly enhanced to enable system-level ESD, EFT, surge, and emissions compliance. Used in conjunction with isolated power supplies, the device protects against high voltage, and prevents noise currents from the bus from entering the local ground. The ISO1042 device is available for both basic and reinforced isolation (see Reinforced and Basic Isolation Options). The ISO1042 device supports a wide ambient temperature range of -40°C to +125°C. The device is available in the SOIC-16 (DW) package and a smaller SOIC-8 (DWV) package.

2.2.8 TLV704

The TLV704 series of low-dropout (LDO) regulators are ultralow quiescent current devices designed for extremely power-sensitive applications. Quiescent current is virtually constant over the complete load current and ambient temperature range. These devices are an ideal power-management attachment to low-power microcontrollers, such as the MSP430. The TLV704 operates over a wide operating input voltage of 2.5 V to 24 V. Thus, the device is an excellent choice for both battery-powered systems as well as industrial applications that undergo large line transients. The TLV704 is available in a 3-mm × 3-mm SOT23-5 package, which is ideal for cost-effective board manufacturing.

2.2.9 SN6501

The SN6501 is a monolithic oscillator/power-driver, specifically designed for small form factor, isolated power supplies in isolated interface applications. The device drives a low-profile, center-tapped transformer primary from a 3.3-V or 5-V DC power supply. The secondary can be wound to provide any isolated voltage based on transformer turns ratio. The SN6501 consists of an oscillator followed by a gate drive circuit that provides the complementary output signals to drive the ground referenced N-channel power switches. The internal logic ensures break-before-make action between the two switches. The SN6501 is available in a small SOT-23 (5) package, and is specified for operation at temperatures from –40°C to 125°C.

2.2.10 TPD2E007

This device is a transient voltage suppressor (TVS) based electrostatic discharge (ESD) protection device designed to offer system level ESD solutions for wide range of portable and industrial applications. The back-to-back diode array allows AC-coupled or negative-going data transmission (audio interface, LVDS, RS-485, RS-232, and so forth) without compromising signal integrity. This device exceeds the IEC 61000-4-2 (Level 4) ESD protection and is ideal for providing system level ESD protection for the internal ICs when placed near the connector. The TPD2E007 is offered in a 4-bump PicoStar and 3-pin SOT (DGK) packages. The PicoStar package (YFM), with only 0.15 mm (Max) package height, is recommended for ultra space saving application where the package height is a key concern. The PicoStar package can be used in either embedded PCB board applications or in surface mount applications. The industry standard SOT package offers straightforward board layout option in legacy designs.

2.3 System Design Theory

2.3.1 Auxiliary Power Supply Design

This auxiliary power circuit consists of a DC/DC BUCK converter, Isolated power supplies and several LDOs. The DC/DC BUCK converter is controlled by LM5164, a constant on-time (COT) control architecture device. The on-time is calculated with [公式 1](#). In CCM, the operating frequency is programmed by the R_{RON} resistor and can be calculated using [公式 2](#). Therefore the R_{RON} can be determined using [公式 3](#).

$$t_{on} (\mu\text{s}) = \frac{R_{RON} (\text{k}\Omega)}{V_{IN} (\text{V}) \times 2.5} \quad (1)$$

$$F_{SW} (\text{kHz}) = \frac{V_{OUT} (\text{V}) \times 2500}{R_{RON} (\text{k}\Omega)} \quad (2)$$

3 Hardware, Software, Testing Requirements, and Test Results

3.1 Required Hardware and Software

3.1.1 Hardware

The board is configured during assembly with a selection of components to be installed and there are no configuration jumpers or options prior to connection. 图 3 shows the top side of the board.

图 3. Board Top Side

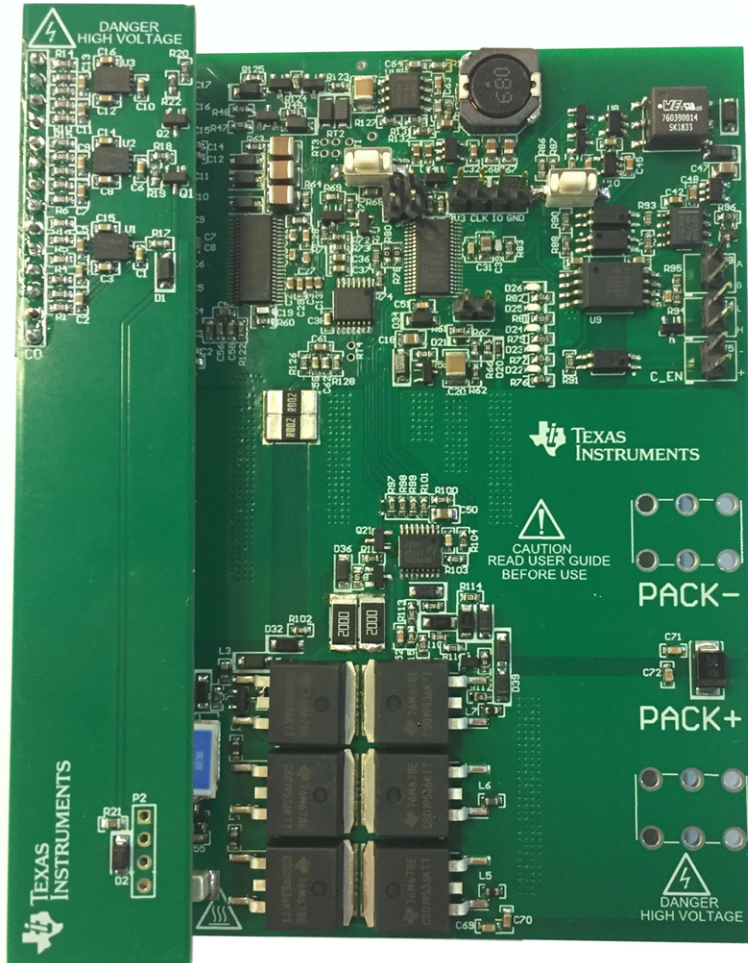


表 2 describes the connections for the board.

表 2. Board Connections

CONNECTOR AND PIN ASSIGNMENTS	FUNCTION OR SCHEMATIC NET	NOTES
J1	BAT-	Cell stack negative; this provides a reference for the electronics and the high current path from the cells
J2	BAT+	Cell stack positive; this provides power for the high-side driver and the high current path from the cells
J3-1	RS-485-B	RS485 BUS port, B
J3-2	RS-485-A	RS485 BUS port, A
J4-1	CAN-H	High-level CAN BUS

表 2. Board Connections (continued)

CONNECTOR AND PIN ASSIGNMENTS	FUNCTION OR SCHEMATIC NET	NOTES
J4-2	CAN-L	Low-level CAN BUS
J5-1	Commu_EN	Communication control from system side
J5-2	SGND	Isolated ground
J6	PACK+	Charger positive or load positive
J7	PACK-	Charger negative or load negative
P1-1	SDA	I2C communication SDA from bq34z100-g1 and bq76940
P1-2	SDA_MCU	I2C communication SDA from MCU
P1-3	SCL	I2C communication SCL from bq34z100-g1 and bq76940
P1-4	SCL_MCU	I2C communication SCL from MCU
P2-1	3V3	SBW program connector 3.3 V
P2-2	SBCLK	SBW program connector SBCLK
P2-3	SBIO	SBW program connector SBIO
P2-4	GND	SBW program connector ground
P3-1	Fuse_G	Secondary protection output signal
P3-2	Fuse_G	Secondary protection output signal
P3-3	GND	Secondary protection output reference
P3-4	GND	Secondary protection output reference
P4, P5	Cn	(n = 0 to 13) Cell monitor, balance, and electronics power connections. P4 is the connector with battery cells. P3 and P5 are the connectors with Secondary protection board
P6-1	PRES	Detect system load attached
P6-2	GND	Ground

3.1.2 Software

3.1.2.1 Using the bq769X0 Eval Software

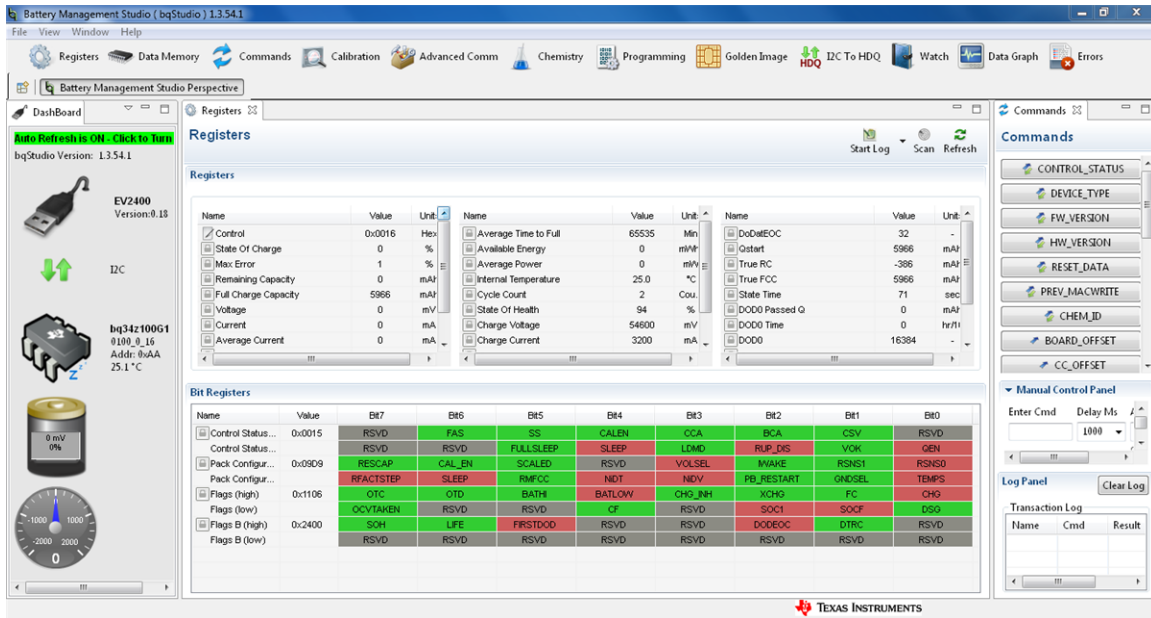
Download the bq769X0 Eval Software from ti.com. It can act as a host controller to read voltage, current and temperature data from bq76940. See the [bq76930 and bq76940 Evaluation Module](#) user's guide to learn how to use this tool.

3.1.2.2 Using bqStudio

The bqStudio software can be started from the desktop icon or the Start → Texas Instruments → Battery Management Studio menu or equivalent for supported operating systems. When bqStudio is started while connected to a working gauge, the software detects the gauge and open its display similar to [图 4](#). The dashboard section on the left side of the display shows the connected interface and part and the voltage and current of the part. The dashboard refreshes periodically but can be turned off if desired. The registers tab is displayed in the middle pane, which shows a snapshot of when the tool started or from the last refresh. The tab can be refreshed by clicking the Refresh button in the upper-right corner of the tab or by selecting the scan button for periodic update. The Start Log button starts a log of the data, which is useful

for recording the gauge data over time. Across the top of the bqStudio window and below the File menu are other tools which typically open in the center tab area of the display. On the right side of the display is a Command window which the user can scrolled through to display various commands that can be selected as a button. Below the Commands window is the Log Panel, which shows the command and its result. Status messages display in the bottom border of the bqStudio window.

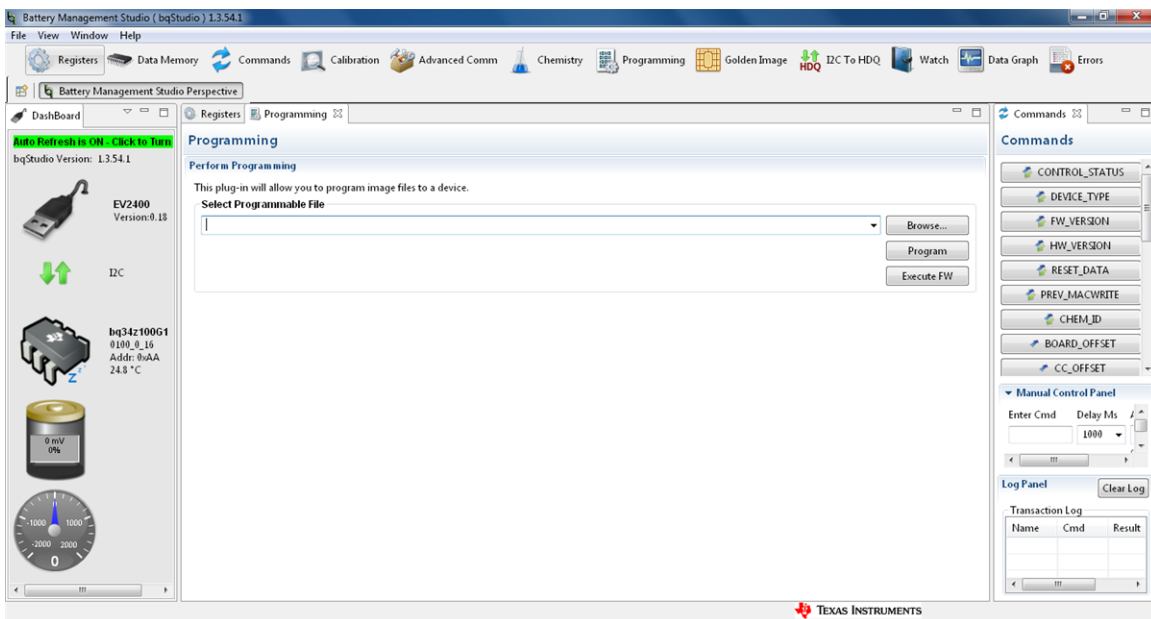
图 4. bqStudio Register Display



3.1.2.2.1 Programming

Before configure bq34z100-g1, it is recommend to program the device. Select the Programing Update window, the Program screen is shown as 图 5. This window allows the user to program the device to a new version of firmware.

图 5. Programing Screen

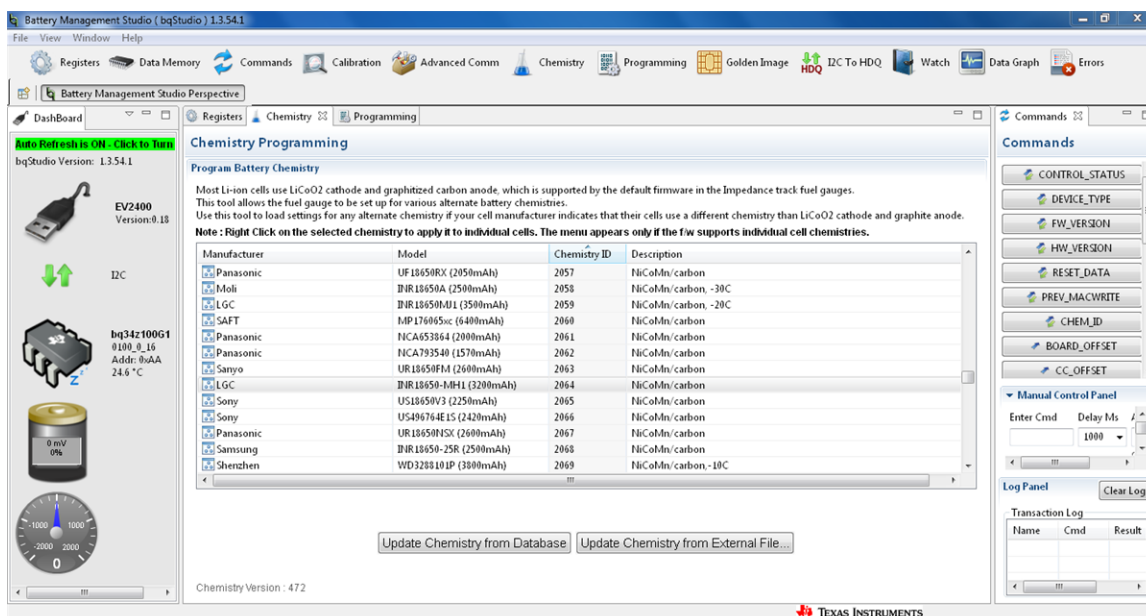


- Search for the bq34z100_G1_v0_16_build_17.srec file using the Browse button.
- Press the Program button and wait for the download to complete.
- Press the Execute FW button after the download has completed.
- Select File | Restart to initialize bqStudio to the new firmware.

3.1.2.2.2 Chemistry

The chemistry file contains parameters that the simulations use to model the cell and its operating profile. It is critical to program a Chemistry ID that matches the cell into the device. Some of these parameters can be viewed in the Data Flash section of the Battery Management Studio. Press the Chemistry button to select the Chemistry window, see [图 6](#).

图 6. Chemistry Screen



- Select the ChemID that matches your cell from the table.
- Press the Update chemistry in the data flash button to update the chemistry in the device.

3.1.2.2.3 Configuration

The bq34z100-g1 gauge is configured primarily using the Data Memory tab. Different sections are displayed by selecting the button for the section on the left side of the pane. The selection is written by clicking the Write To Data Memory button at the bottom of the popup. The popup must be closed with the X button in the top-left corner. All the registers configurations below Configuration of this design is shown as [图 7](#), [图 8](#), and [图 9](#).

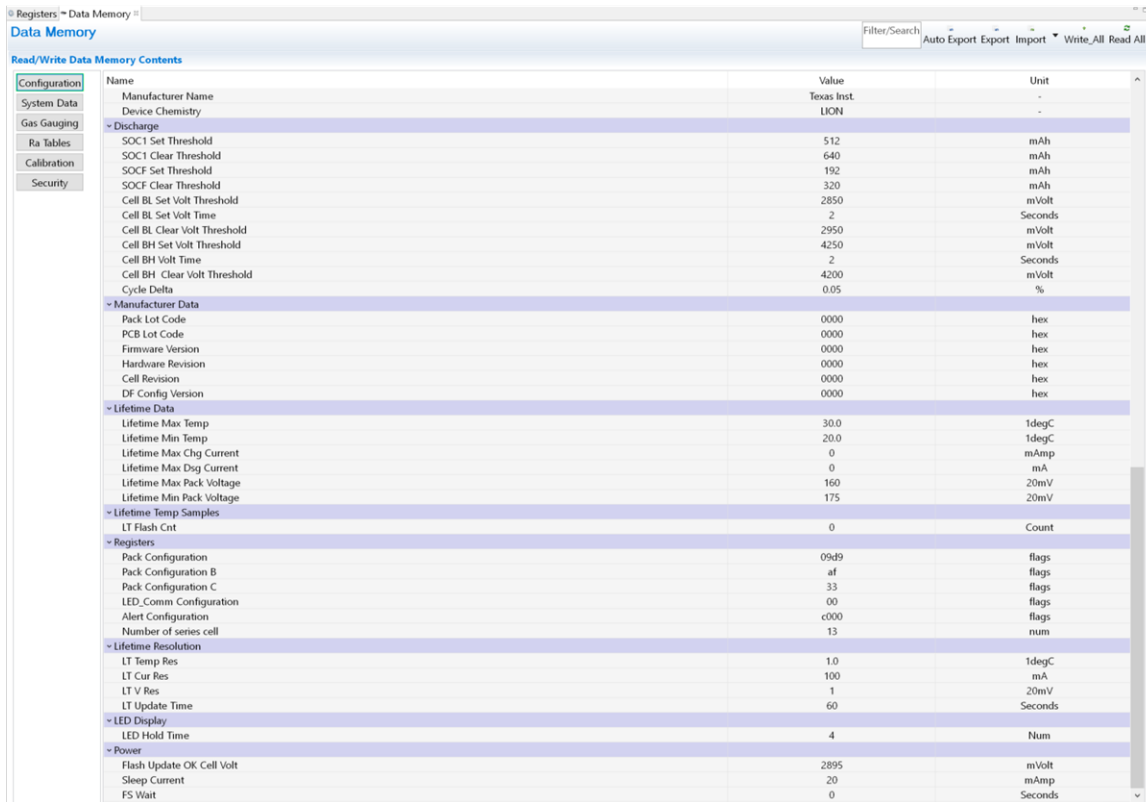
图 7. Configuration-1

Configuration	Name	Value	Unit
System Data	Safety		
	OT Chg	55.0	1degC
Gas Gauging	OT Chg Time	2	Seconds
	OT Chg Recovery	50.0	1degC
Ra Tables	OT Dsg	60.0	1degC
	OT Dsg Time	2	Seconds
Calibration	OT Dsg Recovery	55.0	1degC
	Charge Inhibit Clg		
Security	Chg Inhibit Temp Low	0	1degC
	Chg Inhibit Temp High	45.0	1degC
	Temp Hys	5.0	1degC
Charge			
Security	Suspend Low Temp	-5.0	1degC
	Suspend High Temp	55.0	1degC
	Pb EFF Efficiency	100	%
	Pb Temp Comp	24.960	%
Security	Pb Drop Off Percent	96	%
	Pb Reduction Rate	10.000	%
Charge Termination			
Security	Taper Current	300	mAmp
	Min Taper Capacity	25	mAmpHr
	Cell Taper Voltage	100	mV
	Current Taper Window	40	Seconds
	TCA Set %	99	Percent
	TCA Clear %	95	Percent
	FC Set %	100	Percent
	FC Clear %	98	Percent
	DODatEOC Delta T	10.0	1degC
	NiMH Delta Temp	3.0	1degC
	NiMH Delta Temp Time	180	Seconds
	NiMH Hold Off Time	100	Seconds
	NiMH Hold Off Current	240	mAmp
	NiMH Hold Off Temp	25.0	1degC
	NiMH Cell Negative Delta Volt	17	mV
	NiMH Cell Negative Delta Time	16	Seconds
NiMH Cell Neg Delta Qual Volt	4200	mV	
Data			
	Manufacture Date	1980-1-1	Day + Mo*32 + (Yr - 1980)*256

图 8. Configuration-2

Configuration	Name	Value	Unit	
System Data	Data			
	Manufacture Date	1980-1-1	Day + Mo*32 + (Yr - 1980)*256	
Gas Gauging	Serial Number	0001	hex	
	Cycle Count	2	Count	
Ra Tables	CC Threshold	5760	mAmpHr	
	Max Error Limit	100	%	
Calibration	Design Capacity	6400	MilliAmpHour	
	Design Energy	23488	MilliWattHour	
Security	SOH Load I	-1920	MilliAmp	
	Cell Charge Voltage T1-T2	4200	mV	
Security	Cell Charge Voltage T2-T3	4200	mV	
	Cell Charge Voltage T3-T4	4200	mV	
Security	Charge Current T1-T2	10	Percent	
	Charge Current T2-T3	50	Percent	
	Charge Current T3-T4	30	Percent	
Security	JEITA T1	0	degC	
	JEITA T2	10	degC	
	JEITA T3	45	degC	
	JEITA T4	55	degC	
Security	Design Energy Scale	13	Number	
	Device Name	lg34z100-G1	-	
Security	Manufacturer Name	Texas Inst.	-	
	Device Chemistry	LIION	-	
Discharge				
Security	SOC1 Set Threshold	512	mAh	
	SOC1 Clear Threshold	640	mAh	
	SOCF Set Threshold	192	mAh	
	SOCF Clear Threshold	320	mAh	
	Cell BL Set Volt Threshold	2850	mV	
	Cell BL Set Volt Time	2	Seconds	
	Cell BL Clear Volt Threshold	2950	mV	
	Cell BH Set Volt Threshold	4250	mV	
	Cell BH Volt Time	2	Seconds	
	Cell BH Clear Volt Threshold	4200	mV	
	Cycle Delta	0.05	%	
	Manufacturer Data			
	Security	Pack Lot Code	0000	hex
		PCB Lot Code	0000	hex
Firmware Version		0000	hex	
Hardware Revision		0000	hex	
Cell Revision		0000	hex	
DF Config Version		0000	hex	
Lifetime Data				
	Lifetime Max Temp	30.0	1degC	

图 9. Configuration-3



Configuration	Name	Value	Unit
System Data	Manufacturer Name	Texas Inst	-
	Device Chemistry	LIION	-
Gas Gauging	Discharge		
	SOC1 Set Threshold	512	mAh
	SOC1 Clear Threshold	640	mAh
	SOCF Set Threshold	192	mAh
	SOCF Clear Threshold	320	mAh
	Cell BL Set Volt Threshold	2850	mVolt
	Cell BL Set Volt Time	2	Seconds
	Cell BL Clear Volt Threshold	2950	mVolt
	Cell BH Set Volt Threshold	4250	mVolt
	Cell BH Volt Time	2	Seconds
	Cell BH Clear Volt Threshold	4200	mVolt
	Cycle Delta	0.05	%
Manufacturer Data	Pack Lot Code	0000	hex
	PCB Lot Code	0000	hex
	Firmware Version	0000	hex
	Hardware Revision	0000	hex
	Cell Revision	0000	hex
Lifetime Data	DF Config Version	0000	hex
	Lifetime Max Temp	30.0	1degC
	Lifetime Min Temp	20.0	1degC
	Lifetime Max Chg Current	0	mAmp
	Lifetime Max Dsg Current	0	mA
	Lifetime Max Pack Voltage	160	20mV
Lifetime Temp Samples	Lifetime Min Pack Voltage	175	20mV
	LT Flash Cnt	0	Count
Registers	Pack Configuration	09d9	flags
	Pack Configuration B	af	flags
	Pack Configuration C	33	flags
	LED_Comm Configuration	00	flags
	Alert Configuration	c000	flags
	Number of series cell	13	num
	Lifetime Resolution	LT Temp Res	1.0
LT Cur Res		100	mA
LT V Res		1	20mV
LT Update Time		60	Seconds
LED Display	LED Hold Time	4	Num
	Power		
Flash Update OK Cell Volt	2895	mVolt	
Sleep Current	20	mAmp	
FS Wait	0	Seconds	

All the registers configurations below Gas Gauging of this design is shown as 图 10.

图 10. Gas Gauging Screen

Configuration	Name	Value	Unit
System Data	- IT Cfg		
Gas Gauging	Load Select	1	Number
	Load Mode	0	Number
	Res Current	100	mAmp
	Max Res Factor	50	num
	Min Res Factor	1	num
	Ra Filter	500	num
	Min Passed/Chg NiMH-LA 1st Qmax	50	%
	Maximum Qmax Change	100	%
	Cell Terminate Voltage	3000	mVolt
	Cell Term V Delta	200	mVolt
	ResRelax Time	500	Seconds
	User Rate-mA	0	MilliAmp
	User Rate-Pwr	0	mW/cW
	Reserve Cap-mAh	0	MilliAmpHour
	Reserve Energy	0	mWh/cWh
	Max Scale Back Grnd	4	num
	Cell Min DeltaV	0	mVolt
	Ra Max Delta	15	%
	Design Resistance	42	mOhms
	Reference Grid	4	
	Qmax Max Delta %	10	mAmpHour
	Max Res Scale	32000	Num
	Min Res Scale	1	Num
	Fast Scale Start SOC	10	%
	Charge Hys V Shift	40	mVolt
	Smooth Relax Time	1000	s
	- Current Thresholds		
	Dsg Current Threshold	75	mAmp
	Chg Current Threshold	100	mAmp
	Quit Current	50	mAmp
	Dsg Relax Time	60	Seconds
	Chg Relax Time	60	Seconds
	Cell Max IR Correct	400	mV
	- State		
	Qmax Cell 0	6400	mAmpHour
	Cycle Count	0	num
	Update Status	00	num
	Cell V at Chg Term	4200	mVolt
	Avg I Last Run	-299	mAmp
	Avg P Last Run	-1131	MilliWattHour
	Cell Delta Voltage	2	mVolt
	T Rise	20	Num
	T Time Constant	1000	Num

3.1.2.2.4 Calibration

The Calibration of this design is shown as 图 11. The voltage and current must be calibrated before normal operation.

图 11. Calibration Screen

Configuration	Name	Value	Unit
Data	- Data		
Gas Gauging	CC Gain	1.051	mohm
	CC Delta	1.049	mohm
	CC Offset	-1372	num
	Board Offset	-15	num
	Int Temp Offset	0	degC
	Ext Temp Offset	0	degC
	Voltage Divider	62862	mVolt
Current	- Current		
	Deadband	15	mAmp

Voltage Calibration

- Measure the voltage from BAT+ to BAT- and enter this value in the Applied Voltage field and select the Calibrate Voltage box.
- Press the Calibrate Gas Gauge button to calibrate the voltage measurement system.
- Deselect the Calibrate Voltage boxes after voltage calibration has completed.

If this doesn't work, users can also manually input the Voltage Divider value to do the voltage calibration.

Temperature Calibration

- Enter the room temperature in the Applied Temperature field and select the Calibrate Temperature box

and select the thermistor to be calibrated. The temperature value must be entered in degrees Celsius.

- Press the Calibrate Gas Gauge button to calibrate the temperature measurement system.
- Deselect the Calibrate Temperature box after temperature calibration has completed.

Current Calibration

- Select the Calibrate CC Offset and Calibrate Board Offset boxes and insure that there is no current flow.
- Press the Calibrate Gas Gauge button to calibrate.
- Deselect the Calibrate CC Offset and Calibrate Board Offset boxes after current calibration has completed.
- Connect and measure a 2-A load from PACK- and BAT- to calibrate the current gain.
- Enter -2000 in the Applied Current field and select the Calibrate Current box.
- Press the Calibrate Gas Gauge button to calibrate.
- Deselect the Calibrate Current box after current calibration has completed.

3.1.2.3 MSP430 MCU™ Firmware

To achieve quite low standby current consumption, the MSP430 MCU™ firmware has to be carefully designed. This design gives an example of the firmware. The program flow chart is shown in 图 12, 图 13, and 图 14. 图 15 shows the faults handling.

图 12. MSP430 MCU™ Firmware Program Flow Chart

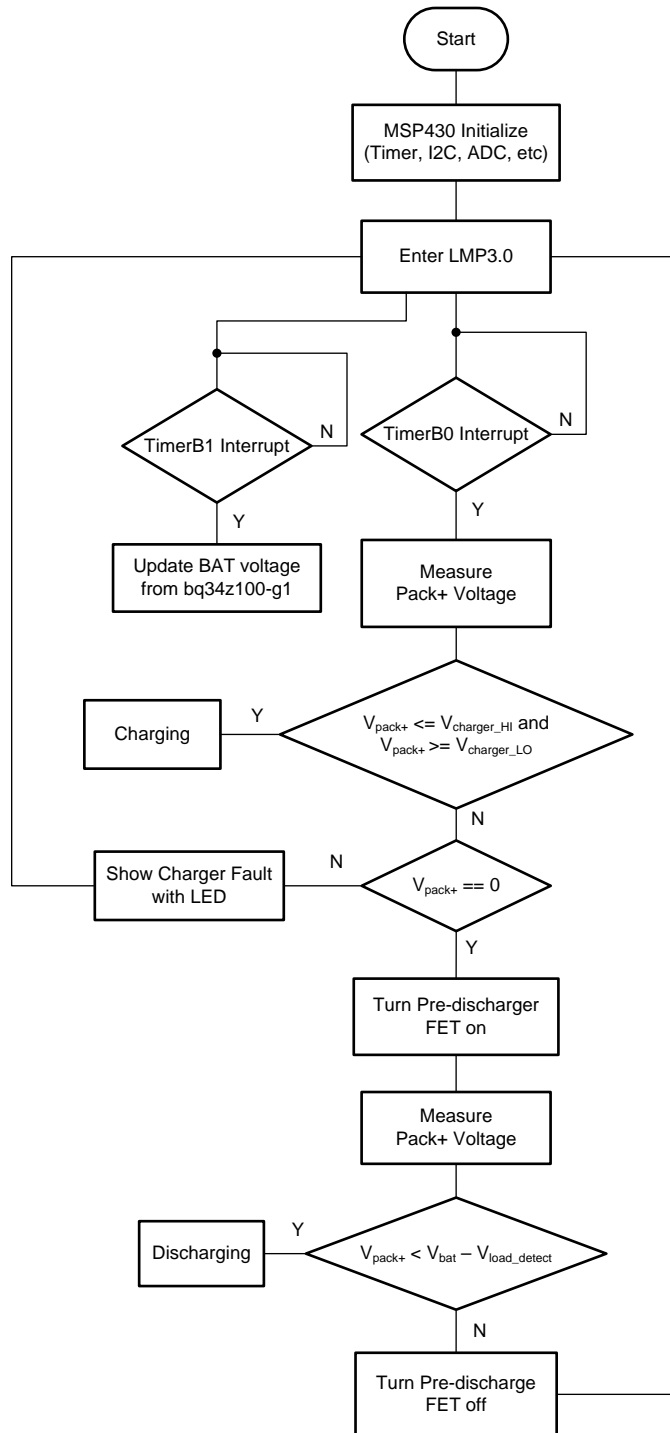


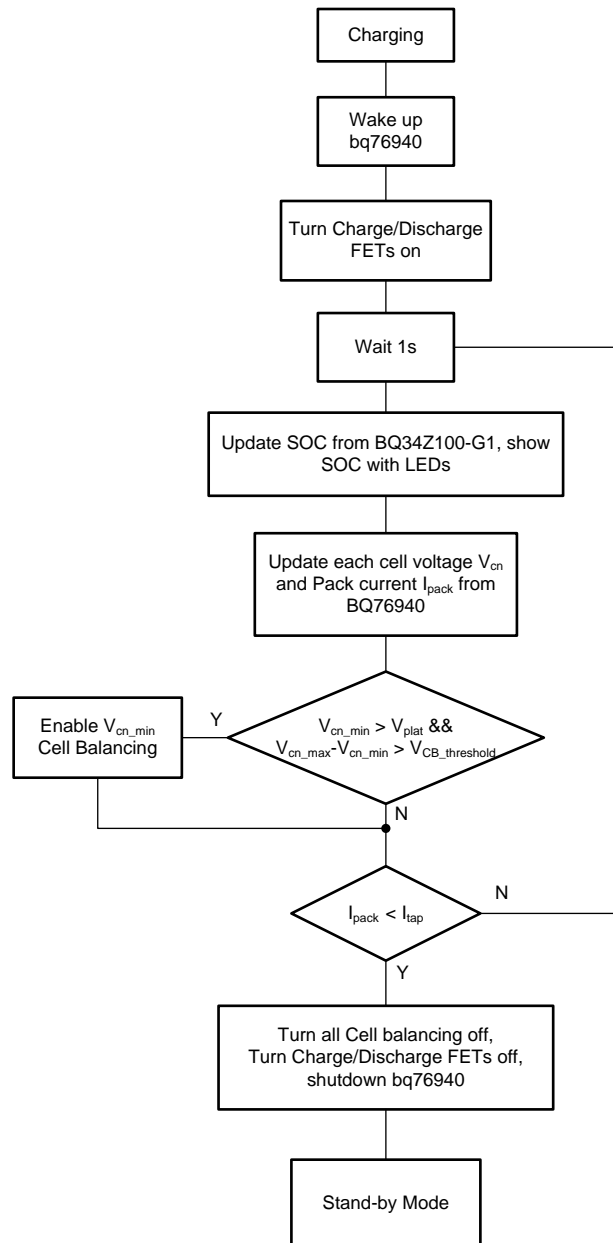
图 13. Charging Firmware Program Flow Chart


图 14. Discharging Firmware Program Flow Chart

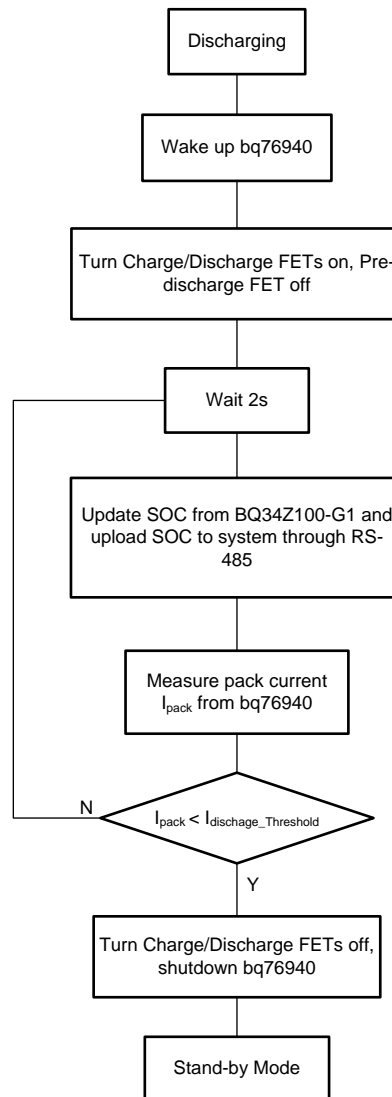
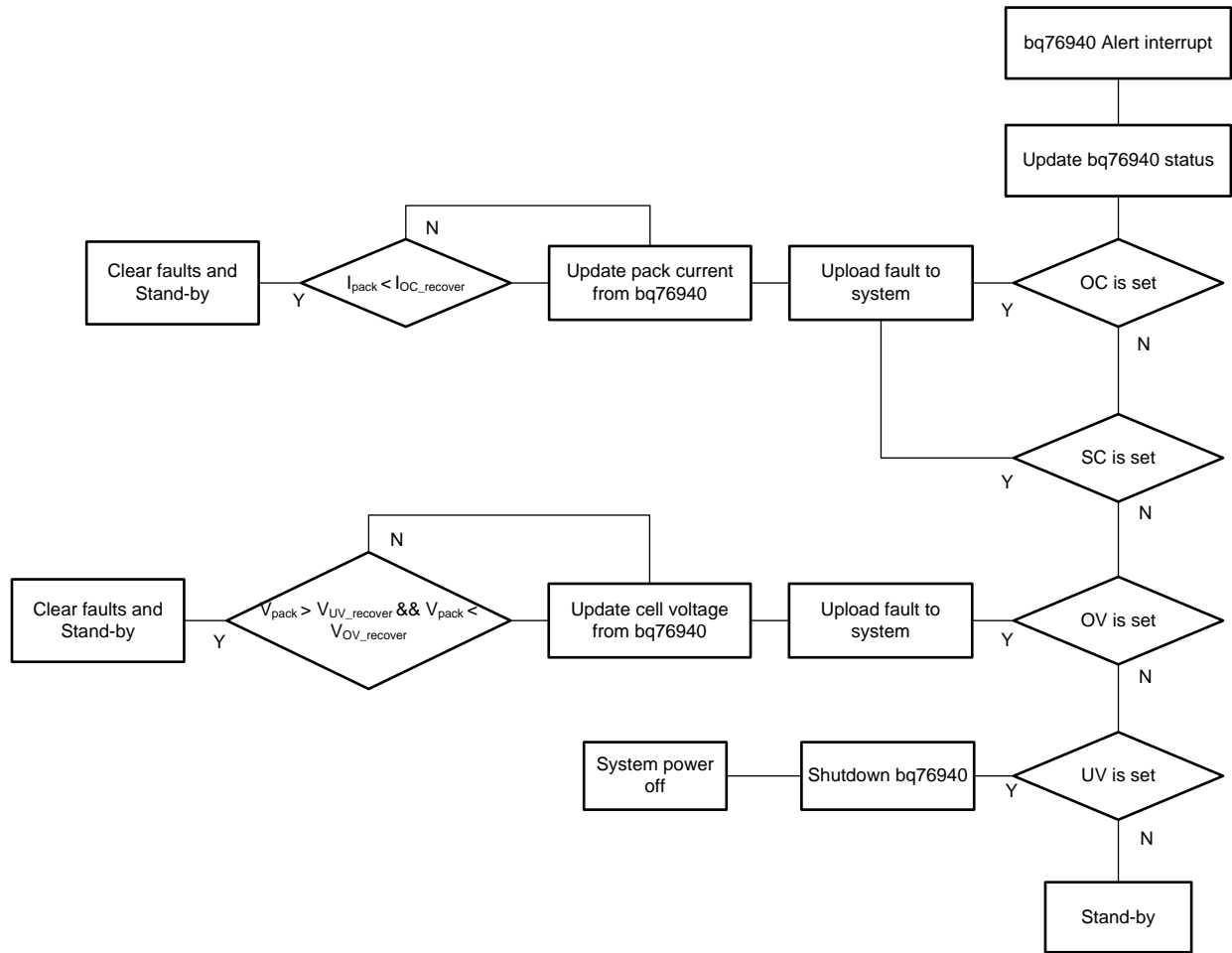


图 15. Faults Handling



3.2 Testing and Results

3.2.1 Test Setup

The following procedures should be followed before running this design board. The design was constructed with 13S pack configurations and tested using both equipment and battery cells. Board calibration was performed using simulated cells powered by a DC power supply. Learning cycle and normal testing was performed using a 13S2P cell assembly. 表 3 summarizes the equipment used for testing.

表 3. Test Equipment Summary

EQUIPMENT	MODEL OR DESCRIPTION
Oscilloscope	Tektronix DPO 3054
DC Power supply	Chroma 62050P-100-100
Electronic load	Chroma 63106
Multimeter	Agilent 34401A
Communication adapter	Texas Instruments EV2300 or EV2400
MSP430 programmer	MSP430 LaunchPad™
Battery cell	INR18650 MH1 3200 mAh

3.2.1.1 Calibration Setup

The board voltage and current calibration was performed using DC power supply. 图 16 shows the voltage calibration setup example, 图 17 shows the current calibration setup example. After setup the board, press S1 button to wake up the system, then open bqStudio software and follow 节 3.1.2.2.4 to finish voltage and current calibration.

图 16. Voltage Calibration Setup

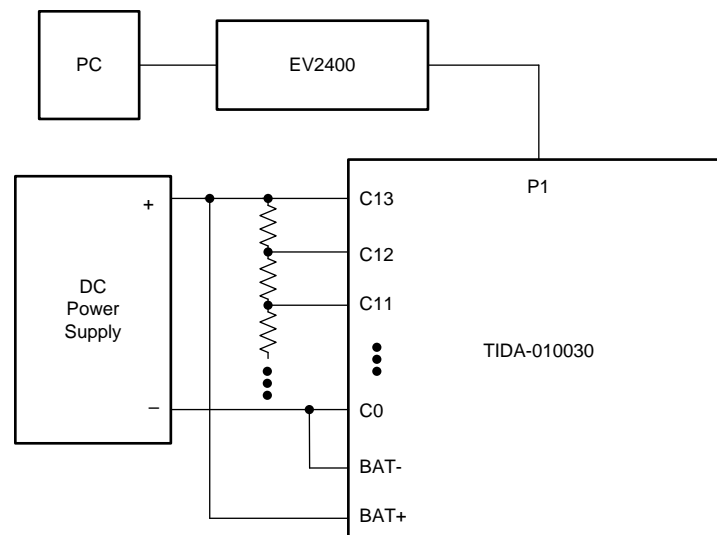
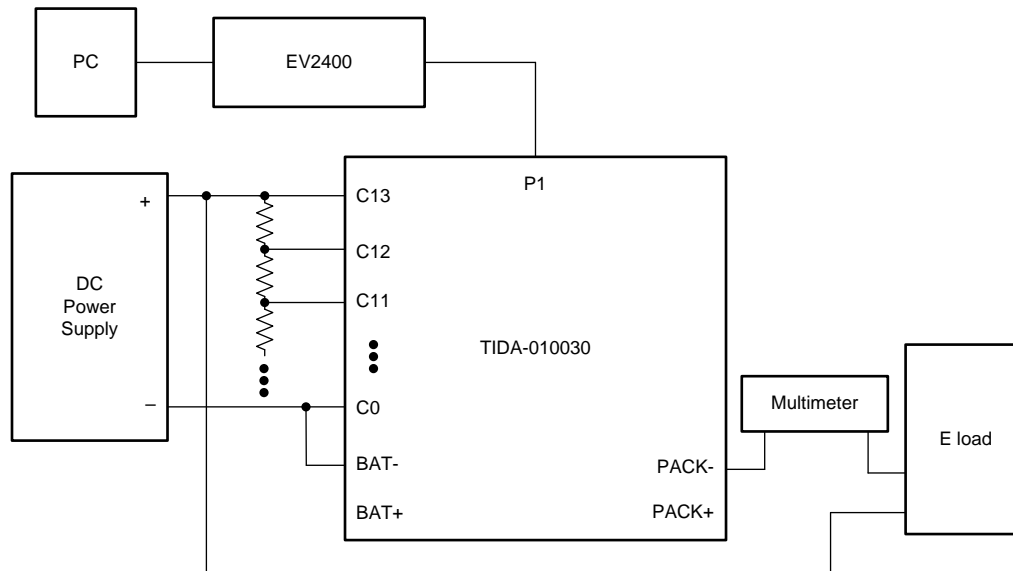


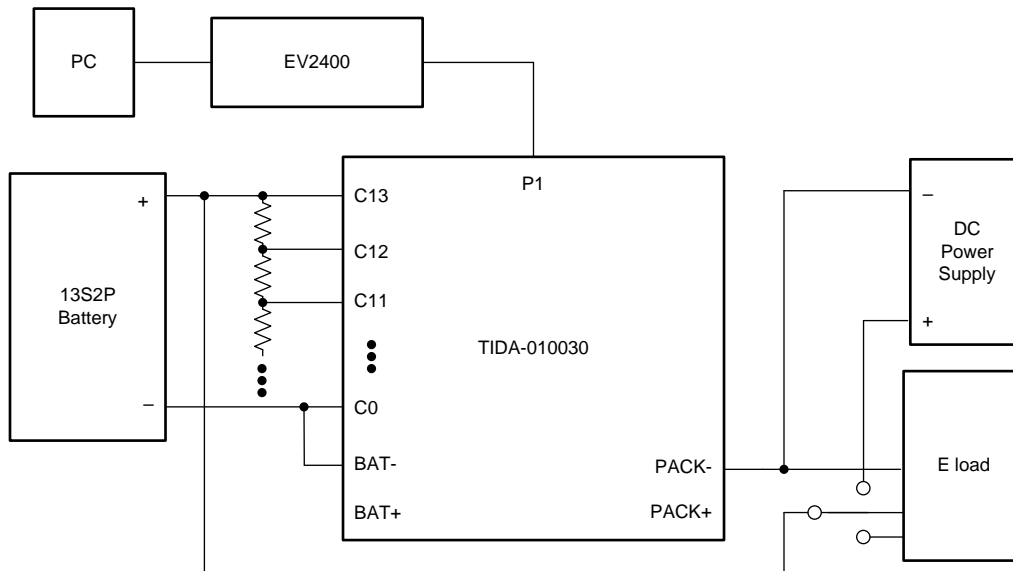
图 17. Current Calibration Setup


3.2.1.2 Learning Cycle

After the board calibration and configuration, a learning cycle should be finished with battery cells. The matched Chemistry ID must be programmed to the device before doing learning cycle (See [节 3.1.2.2.2](#)). [图 18](#) shows the example setup for learning cycle. Follow below process to finish a learning cycle.

- Discharge the battery until the voltage reaches the term voltage
- Relax for at least 5 hours
- Use IT_ENABLE command to set the QEN in Control Status register
- Charge the battery to full with 0.2C
- Relax at least 2 hours until VOK is clear
- Discharge the battery until the voltage reaches the Term Voltage with 0.2C
- Relax at least 5 hours

图 18. Learning Cycle Setup



After a successful learning cycle, the board is ready for testing. 图 19 shows the normal charging setup. 图 20 shows the normal discharging setup.

图 19. Normal Charging Setup

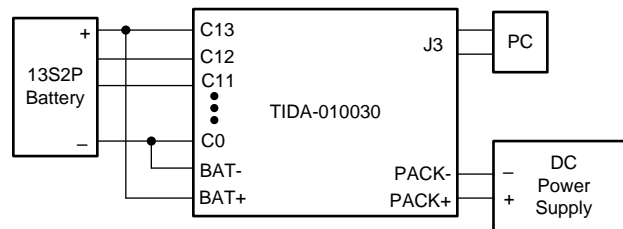
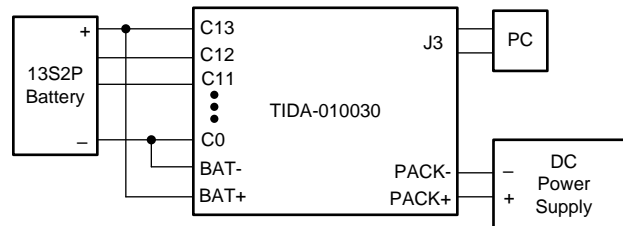


图 20. Normal Discharging Setup



3.2.2 Test Results

3.2.2.1 Boot

The 3.3-V MCU is powered by the DC/DC converter, LM5164, and the input of the LM5164 is controlled by two signals: REGOUT from the BQ76940 and SYS from the MCU. Either of them is high will enable the input of the LM5164 and therefore enable the MCU power supply. When the board is powered on for the first time, the board is in ship mode. The whole system, except for the BQ76940, is not powered on. Choose either of the following methods to wake the system up. The first method is through pressing button S1. 图 21 shows BQ76940 TS1 PIN and REGOUT PIN voltage waveform. The REGOUT PIN is set high after 1-ms delay from when the S1 button is pressed. The second method to wake the board is to

attach a charger. When the battery pack has low battery voltage, the board will also enter ship mode. When at this mode, wake the board up by attaching a charger. 图 22 shows the test result. Both methods will generate a rising edge on TS1 PIN. Then set REGOUT high to enable the MCU power supply. When the MCU is powered on, it will set SYS high. The whole system has stable power supply regardless of if the BQ76940 is in shutdown or normal mode.

图 21. Wake up With Button

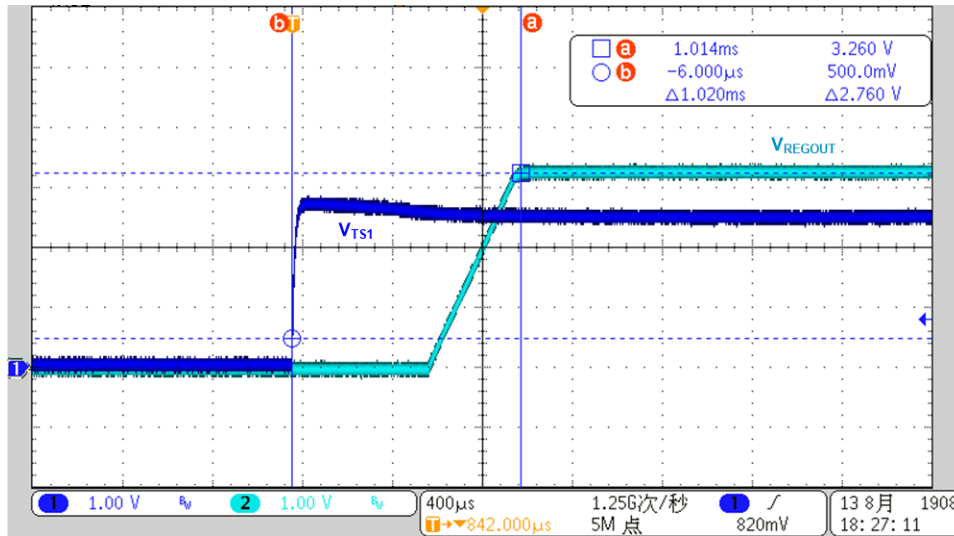
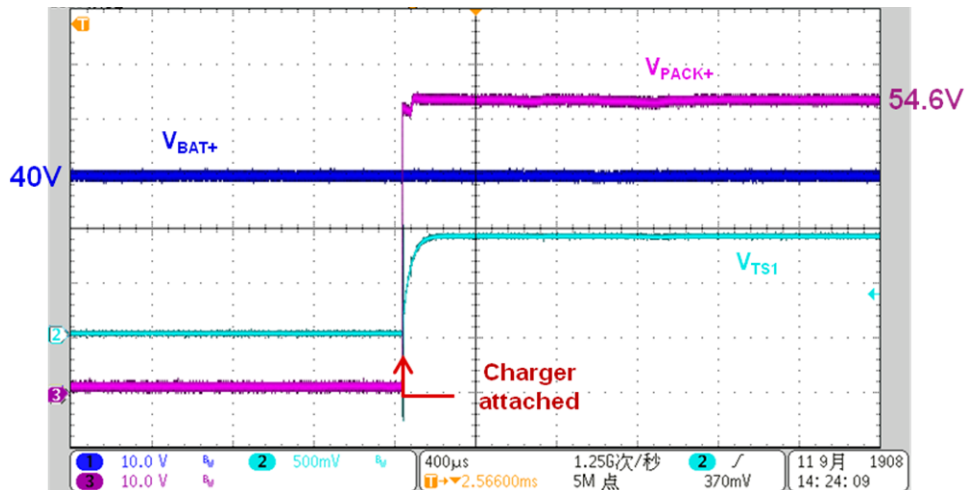


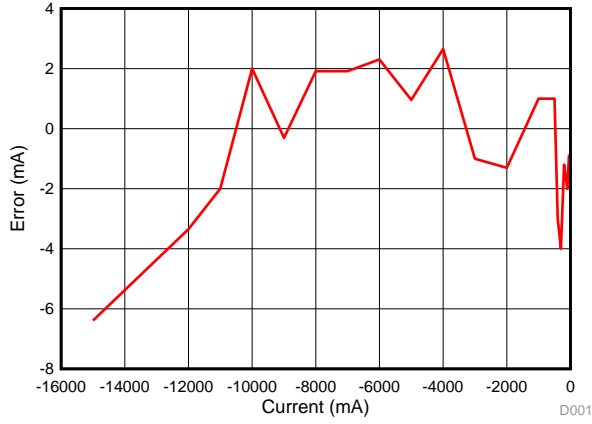
图 22. Wake up With Charger



3.2.2.2 Voltage & Current Accuracy

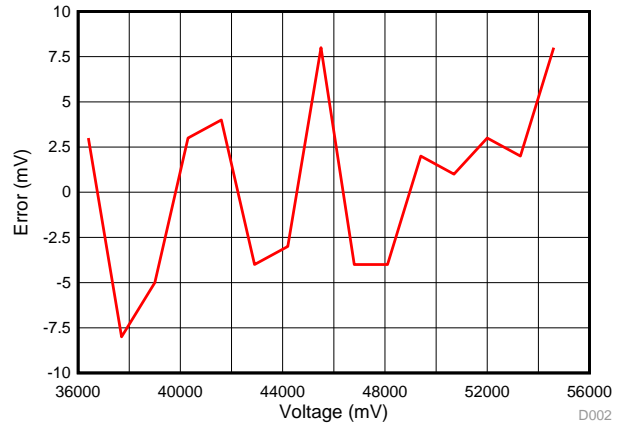
Before normal using, the board needs to be calibrated. After calibration, the voltage and current measurement should have good accuracy. 图 23 shows the BQ76940 cell voltage measurement accuracy. The voltage error is typically below ± 10 mV. 图 24 shows BQ34z100-g1 voltage measurement accuracy. The voltage error is typically below ± 20 mV. 图 25 shows BQ34z100-g1 current measurement accuracy where the error is below ± 10 mA. The BQ76940 measures the voltage across the current sensing resistor and sends the voltage data out through I²C. The firmware should do the calculation and gets the current information. There is no BQ76940 current measurement accuracy test result. The information can be attained from the firmware.

图 23. bq76940 Cell Voltage Accuracy



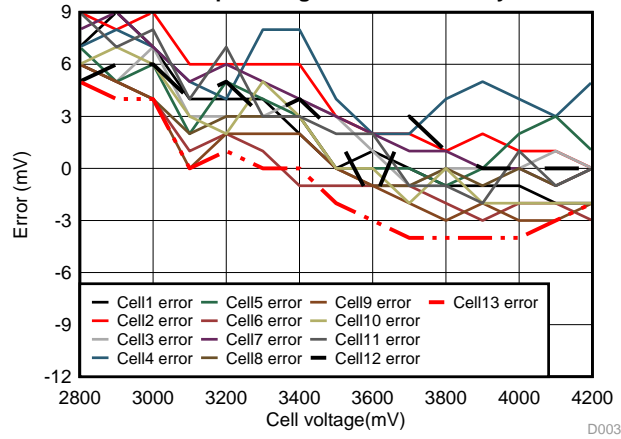
D001_TIDA-010030.grf

图 24. bq34z100-g1 Voltage Accuracy



D002

图 25. bq34z100-g1 Current Accuracy

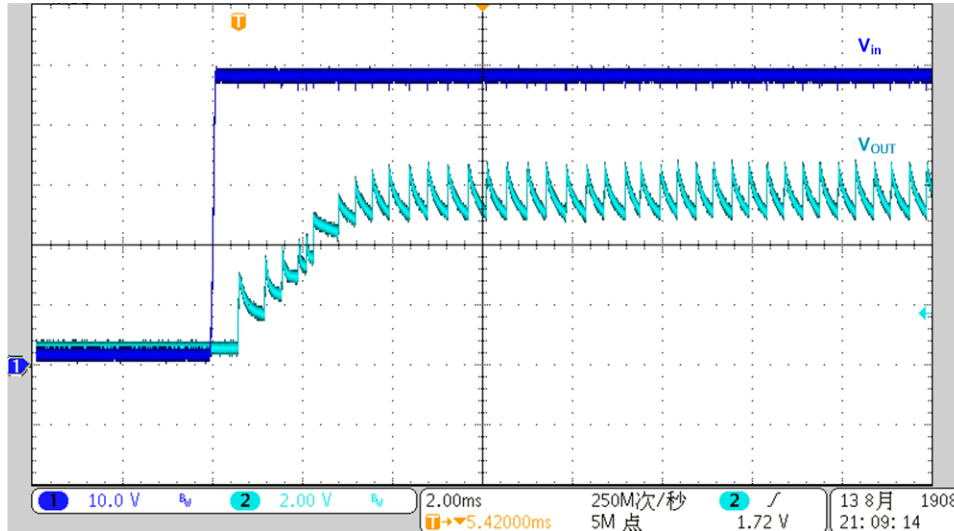


D003

3.2.2.3 DC/DC BUCK

This design is powered by a BUCK converter. To decrease light load consumption, LM5164 will enter DCM and decrease switching frequency. 图 26 shows the BUCK converter start-up waveform.

图 26. BUCK Start up



3.2.2.4 Standby Mode

In this design, standby mode refers to two kind of scenarios: when the battery pack is outside of the e-bike and when the battery pack is put inside of the e-bike but not running. Because this design is for using the same charge and discharge port, the charger is only attached in the first scenario. The battery pack in the first scenario should be able to detect if the charger is attached or if the battery pack is put inside of the e-bike. The battery pack in the second scenario should be able to detect if load is on or if the battery pack is plugged in outside of the e-bike. 图 27 shows the standby test waveforms in the first scenario. The dark blue curve is the pre-discharge MOSFET drive voltage and the green curve is PMON of the BQ76200, which controls a switch to measure PACK side voltage. The light blue curve is the PACK side voltage. The first pulse of PMON is to measure PACK voltage with pre-discharge MOSFET off. If the charger is attached, the voltage should be equal to 54.6 V. If not, the pre-discharge will be turned on. After a short time delay, the PACK voltage will be measured again. If the battery pack is put in the e-bike, a large capacitor will be connected between PACK+ and PACK-, therefore, the measured voltage is lower than the battery voltage. Otherwise, the PACK voltage is equal to the battery voltage. The detection sequence happens every 200 ms, which will not cause obvious delay. In the second scenario, the pre-discharge MOSFET is mostly on. If load is on, there will be a voltage drop across the resistor series with the pre-discharge MOSFET, therefore, the measured voltage is lower than the battery voltage. If not, the pre-discharge will turn off. After a some time delay, the PACK voltage is measured. If the battery pack is plugged outside of the e-bike, the output capacitor is much smaller, which will cause a larger voltage drop. The waveforms are shown in 图 28.

图 27. Standby Scenario 1 Test Waveforms

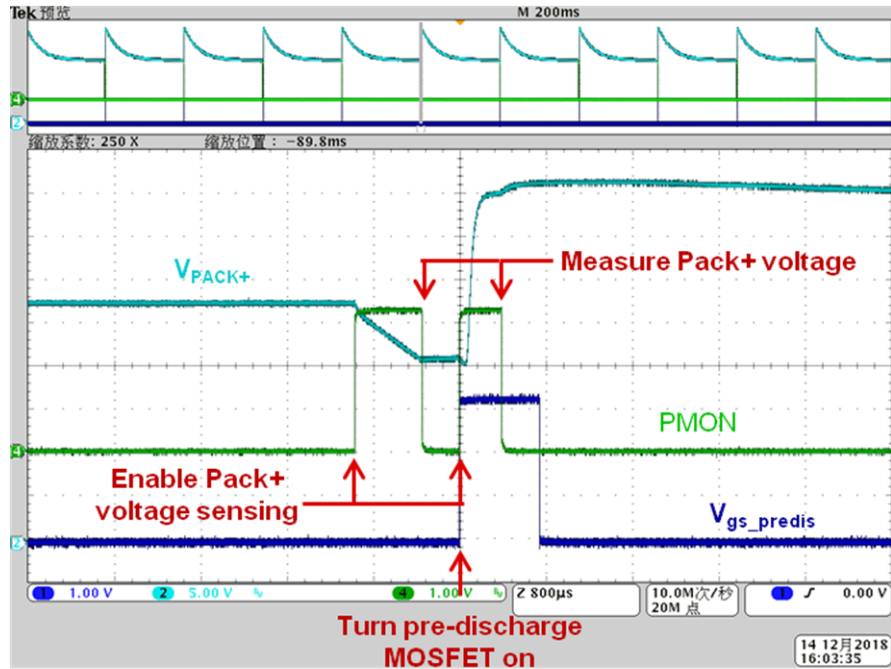
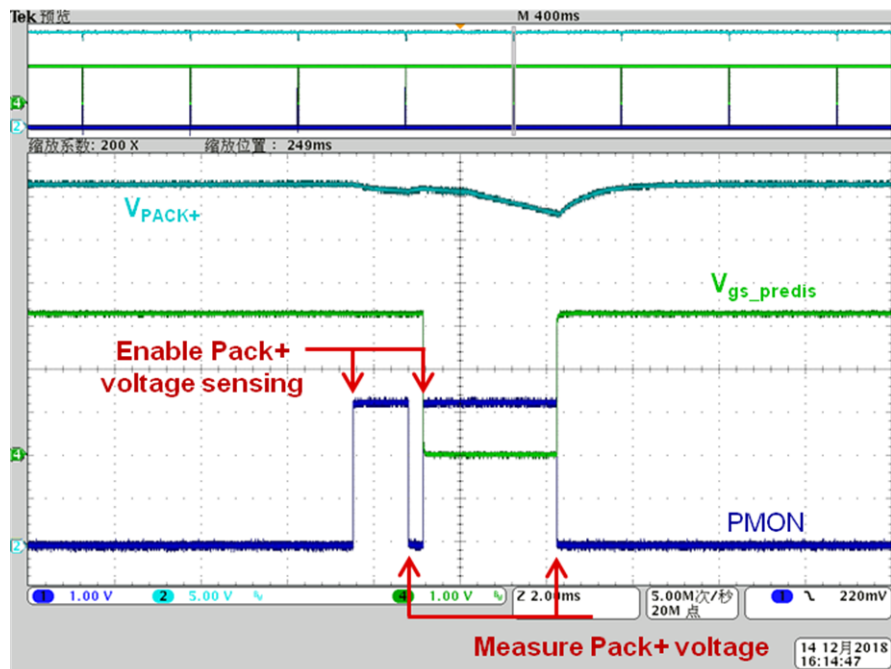


图 28. Standby Scenario 2 Test Waveforms



When in standby mode in the second scenario and when the load is turned on, the pre-discharge MOSFET will allow a small current to power the system. The charge and discharge MOSFETs are turned on after some delay. 图 29 shows the test waveforms. The purple curve is the discharge MOSFET drive voltage, the blue curve is the PACK side voltage, and the green curve is the discharge load. 图 30 shows the test waveforms when the load is off and when the system enters standby mode in the second scenario.

图 29. Standby Scenario 2 Detect Load

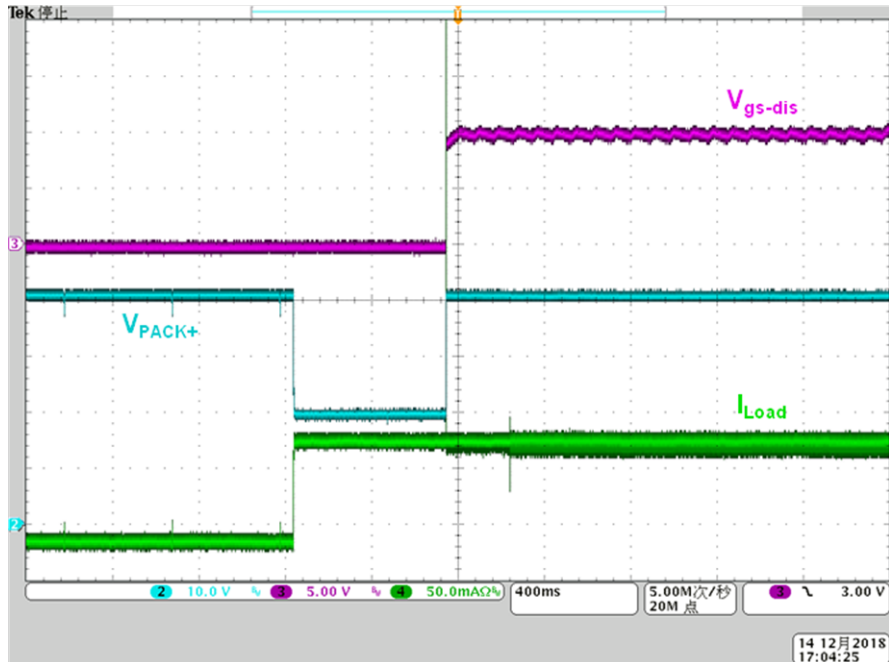
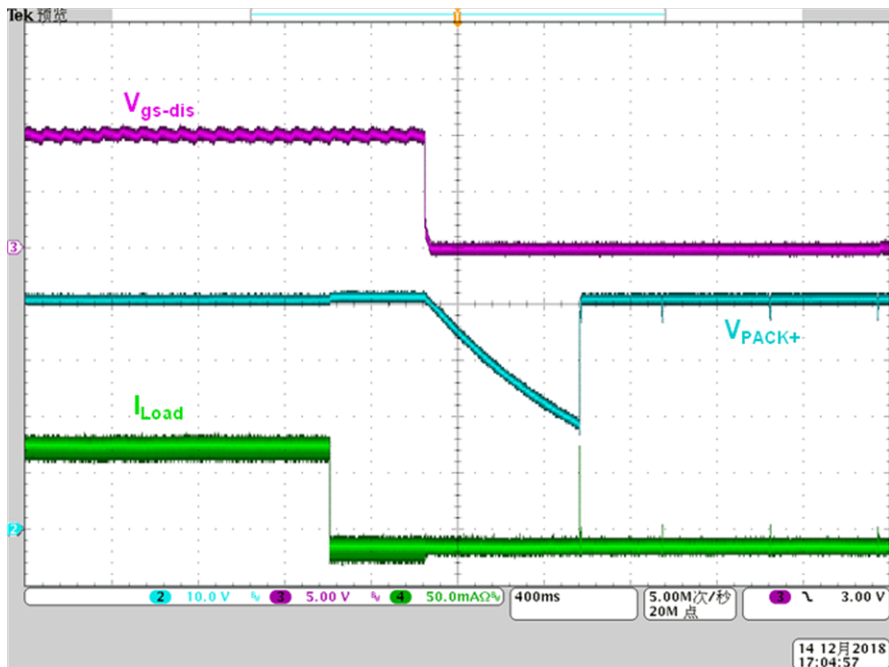


图 30. Load Off to Standby Scenario 2



When in standby mode in the first scenario and the charger is attached, 图 31 shows the resulting test waveforms. The purple curve is the charge MOSFET drive voltage, the light blue curve is the PACK side voltage, the dark blue curve is the battery voltage, and the green curve is the discharge load. When the charger MOSFET is turned on, the PACK side voltage is clamped to the battery voltage. 图 32 shows the test waveforms when the charger is removed and the system enters standby mode in the first scenario.

图 31. Standby Scenario 1 Detect Charger

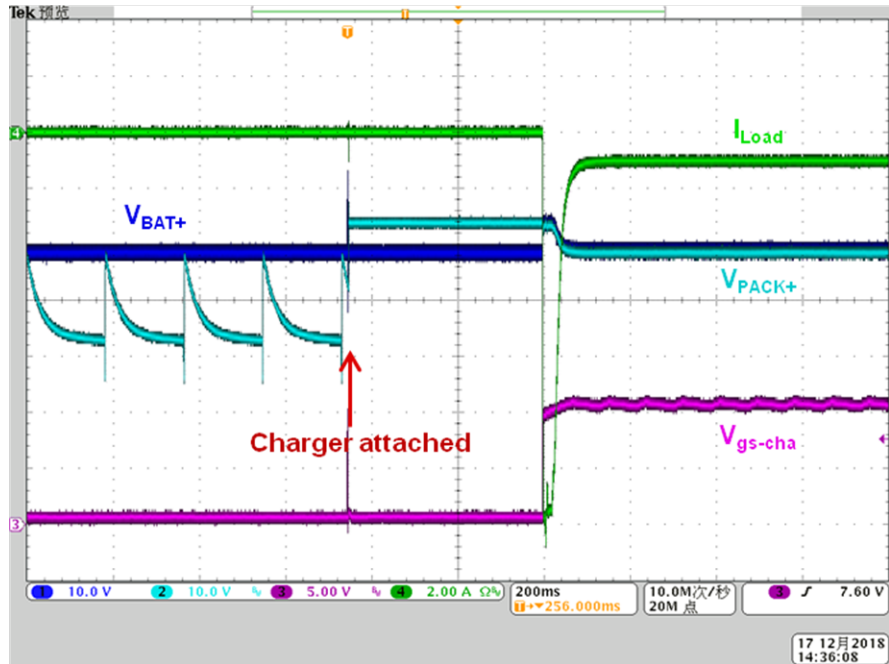
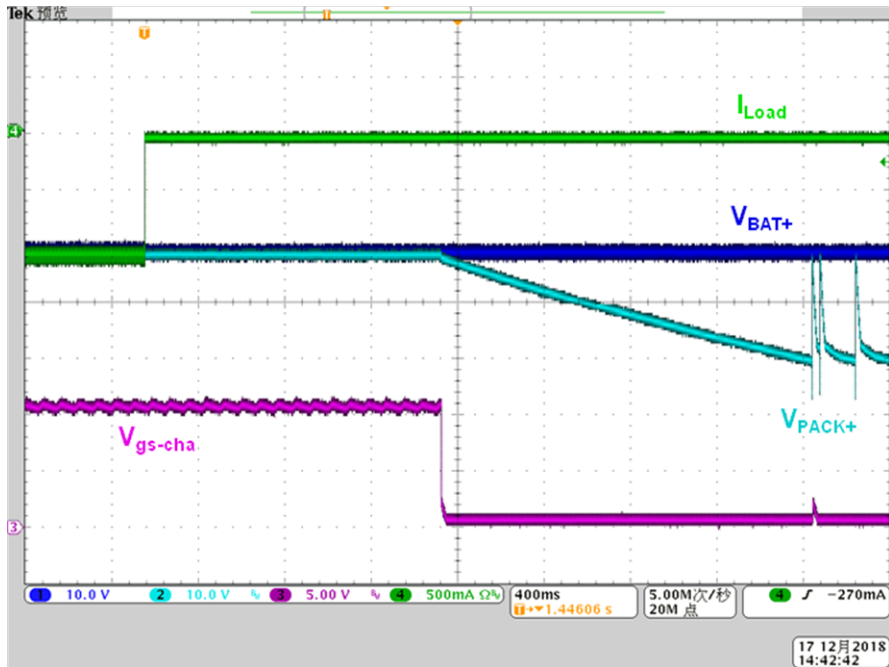


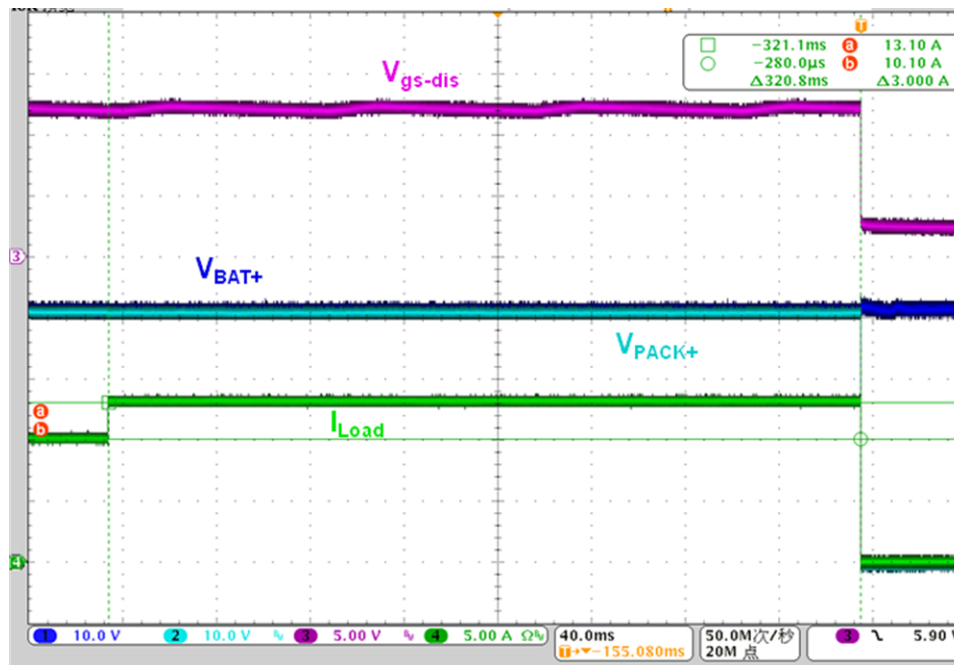
图 32. Charger Removed to Standby Scenario 1



3.2.2.5 Protections

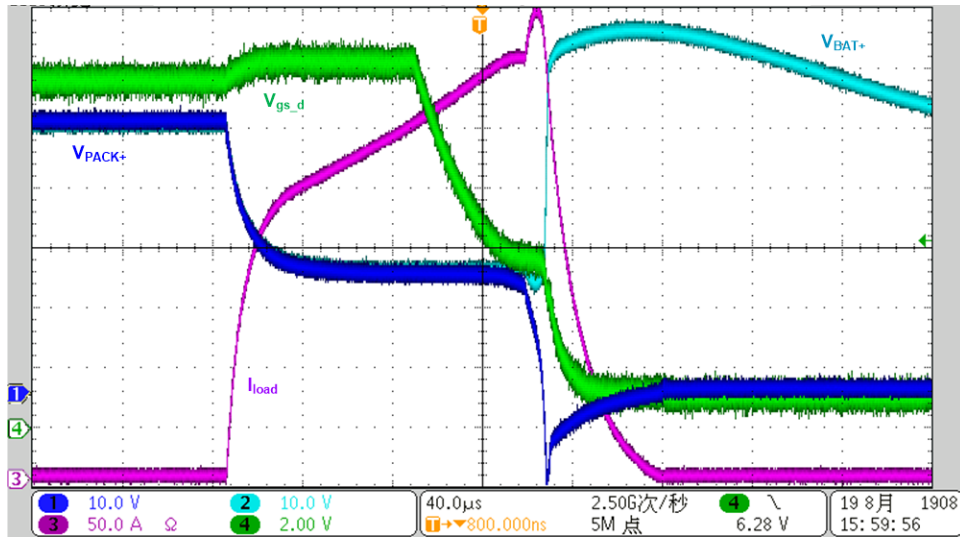
The firmware configures the OCD threshold at 11 mV which turns out about 11-A discharge current with the delay is set at 320 ms. 图 33 shows the waveform. The green curve is discharge current, the dark blue curve is the battery voltage, the light blue is the PACK side voltage, and the purple curve is the discharge MOSFET drive voltage. When the discharge current is switched from 10.1 A to 13.1 A after a 320-ms delay, the discharge MOSFET is turned off to stop the discharging.

图 33. Overcurrent Discharge Protection



To test the design's short circuit protection feature, a switch is used to short PACK+ to PACK-. 图 34 illustrates the SCD triggered. The purple curve is the discharge load, the dark blue curve is the PACK side voltage, the light blue curve is the battery voltage, and the green curve is the discharge MOSFET drive voltage. When the switch shorts PACK+ and PACK-, the current increases quickly to the SCD threshold, 22 A. Meanwhile, the PACK side voltage is pulled to a low value. After a delay of about 70 μ s, the discharge MOSFET is turned off and stops the discharging.

图 34. Short-Circuit Discharge Protection



3.2.2.6 SOC Gauging

The SOC gauging accuracy is tested at room temperature. The SOC result is shown in 图 36. There are 3 stages of discharging: 1.28-A discharge, 1-A discharge, and 1.28-A discharge. 图 35 shows the SOC error. The maximum error is less than 2%.

图 35. SOC Result

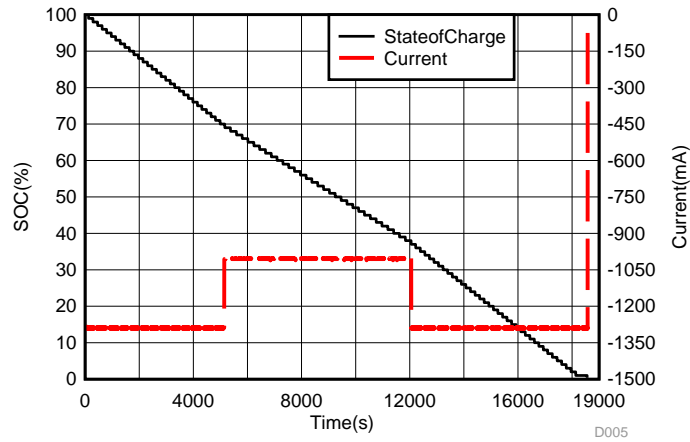
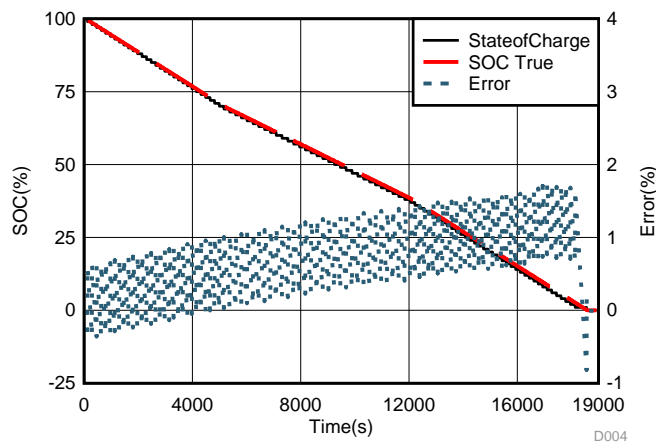


图 36. SOC Error



4 Design Files

4.1 Schematics

To download the schematics, see the design files at [TIDA-010030](#).

4.2 Bill of Materials

To download the bill of materials (BOM), see the design files at [TIDA-010030](#).

4.3 PCB Layout Recommendations

4.3.1 Layout Prints

To download the layer plots, see the design files at [TIDA-010030](#).

4.4 Altium Project

To download the Altium Designer® project files, see the design files at [TIDA-010030](#).

4.5 Gerber Files

To download the Gerber files, see the design files at [TIDA-010030](#).

4.6 Assembly Drawings

To download the assembly drawings, see the design files at [TIDA-010030](#).

5 Software Files

To download the software files, see the design files at [TIDA-010030](#).

6 Related Documentation

1. Texas Instruments, [bq34z100EVM wide range impedance track™ enabled battery fuel gauge solution user's guide](#)
2. Texas Instruments, [bq34z100-G1 wide range fuel gauge with impedance track™ technology data sheet](#)
3. Texas Instruments, [bq76930 and bq76940 evaluation module user's guide](#)
4. Texas Instruments, [bq769x0 3-series to 15-series cell battery monitor family for Li-Ion and phosphate applications data sheet](#)
5. Texas Instruments, [LM5164 100-V input, 1-A synchronous buck DC/DC converter with ultra-low I_Q data sheet](#)

6.1 商标

E2E is a trademark of Texas Instruments.

Altium Designer is a registered trademark of Altium LLC or its affiliated companies.

All other trademarks are the property of their respective owners.

修订历史记录

注：之前版本的页码可能与当前版本有所不同。

Changes from A Revision (February 2019) to B Revision	Page												
• 已添加 此参考设计用于 2 层 PCB。	1												
<table style="width: 100%; border-collapse: collapse;"> <thead> <tr> <th style="text-align: left;">Changes from Original (December 2018) to A Revision</th> <th style="text-align: right;">Page</th> </tr> </thead> <tbody> <tr> <td style="border-top: 1px solid black;">• 已更改 将 LM5164-Q1 更改为 LM5164.....</td> <td style="text-align: right; border-top: 1px solid black;">1</td> </tr> <tr> <td>• 已更改 将整个文档中的 15μA 更改为 5μA</td> <td style="text-align: right;">1</td> </tr> <tr> <td>• 已添加 information regarding Wake signal to 节 2.3.3</td> <td style="text-align: right;">8</td> </tr> <tr> <td>• 已添加 information to 节 3.2.2.....</td> <td style="text-align: right;">23</td> </tr> <tr> <td style="border-bottom: 1px solid black;">• 已添加 content to 6 节.....</td> <td style="text-align: right; border-bottom: 1px solid black;">33</td> </tr> </tbody> </table>		Changes from Original (December 2018) to A Revision	Page	• 已更改 将 LM5164-Q1 更改为 LM5164.....	1	• 已更改 将整个文档中的 15 μ A 更改为 5 μ A	1	• 已添加 information regarding Wake signal to 节 2.3.3	8	• 已添加 information to 节 3.2.2.....	23	• 已添加 content to 6 节.....	33
Changes from Original (December 2018) to A Revision	Page												
• 已更改 将 LM5164-Q1 更改为 LM5164.....	1												
• 已更改 将整个文档中的 15 μ A 更改为 5 μ A	1												
• 已添加 information regarding Wake signal to 节 2.3.3	8												
• 已添加 information to 节 3.2.2.....	23												
• 已添加 content to 6 节.....	33												

重要声明和免责声明

TI 均以“原样”提供技术性 & 可靠性数据（包括数据表）、设计资源（包括参考设计）、应用或其他设计建议、网络工具、安全信息和其他资源，不保证其中不含任何瑕疵，且不做任何明示或暗示的担保，包括但不限于对适销性、适合某特定用途或不侵犯任何第三方知识产权的暗示担保。

所述资源可供专业开发人员应用 TI 产品进行设计使用。您将对以下行为独自承担全部责任：(1) 针对您的应用选择合适的 TI 产品；(2) 设计、验证并测试您的应用；(3) 确保您的应用满足相应标准以及任何其他安全、安保或其他要求。所述资源如有变更，恕不另行通知。TI 对您使用所述资源的授权仅限于开发资源所涉及 TI 产品的相关应用。除此之外不得复制或展示所述资源，也不提供其它 TI 或任何第三方的知识产权授权许可。如因使用所述资源而产生任何索赔、赔偿、成本、损失及债务等，TI 对此概不负责，并且您须赔偿由此对 TI 及其代表造成的损害。

TI 所提供产品均受 TI 的销售条款 (<http://www.ti.com.cn/zh-cn/legal/termsofsale.html>) 以及 [ti.com.cn](http://www.ti.com.cn) 上或随附 TI 产品提供的其他可适用条款的约束。TI 提供所述资源并不扩展或以其他方式更改 TI 针对 TI 产品所发布的可适用的担保范围或担保免责声明。

邮寄地址：上海市浦东新区世纪大道 1568 号中建大厦 32 楼，邮政编码：200122
Copyright © 2019 德州仪器半导体技术（上海）有限公司

重要声明和免责声明

TI 均以“原样”提供技术性数据（包括数据表）、设计资源（包括参考设计）、应用或其他设计建议、网络工具、安全信息和其他资源，不保证其中不含任何瑕疵，且不做任何明示或暗示的担保，包括但不限于对适销性、适合某特定用途或不侵犯任何第三方知识产权的暗示担保。

所述资源可供专业开发人员应用TI 产品进行设计使用。您将对以下行为独自承担全部责任：(1) 针对您的应用选择合适的TI 产品；(2) 设计、验证并测试您的应用；(3) 确保您的应用满足相应标准以及任何其他安全、安保或其他要求。所述资源如有变更，恕不另行通知。TI 对您使用所述资源的授权仅限于开发资源所涉及TI 产品的相关应用。除此之外不得复制或展示所述资源，也不提供其它TI 或任何第三方的知识产权授权许可。如因使用所述资源而产生任何索赔、赔偿、成本、损失及债务等，TI 对此概不负责，并且您须赔偿由此对TI 及其代表造成的损害。

TI 所提供产品均受TI 的销售条款 (<http://www.ti.com.cn/zh-cn/legal/termsofsale.html>) 以及ti.com.cn上或随附TI产品提供的其他可适用条款的约束。TI提供所述资源并不扩展或以其他方式更改TI 针对TI 产品所发布的可适用的担保范围或担保免责声明。

邮寄地址：上海市浦东新区世纪大道 1568 号中建大厦 32 楼，邮政编码：200122
Copyright © 2019 德州仪器半导体技术（上海）有限公司